

Genie®



Parts Manual

Refer to inside cover for additional serial number information

Part No. 89721

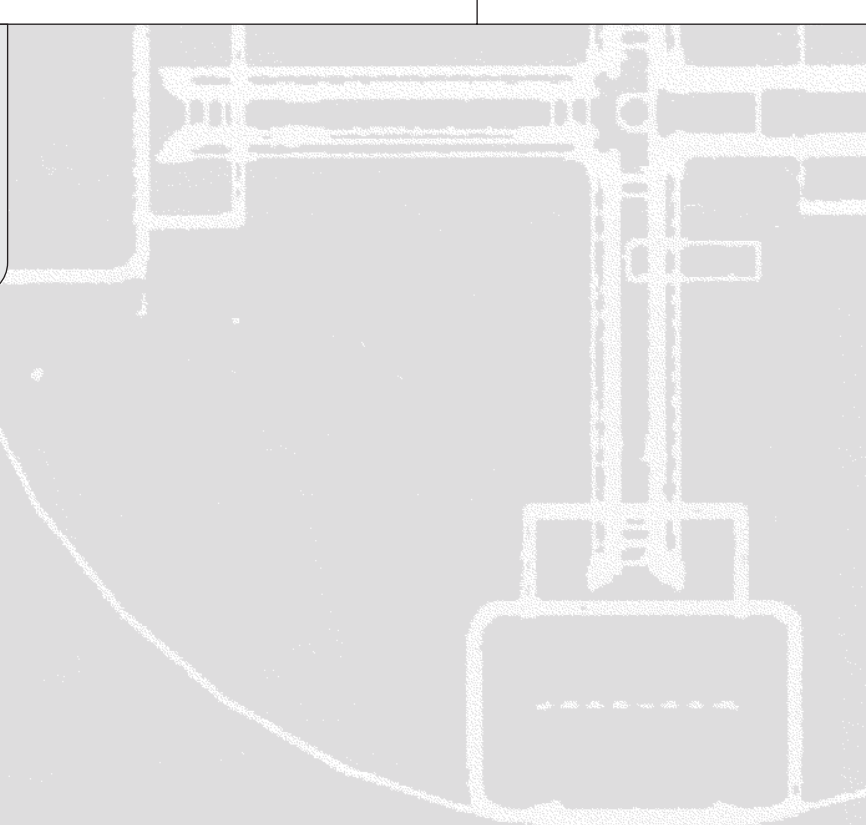
Rev D

October 2006

STM-40

STM-45

(from serial number 7001)



Technical Publications

Genie Industries has endeavored to deliver the highest degree of accuracy possible. However, continuous improvement of our products is a Genie policy. Therefore, product specifications are subject to change without notice.

Readers are encouraged to notify Genie of errors and send in suggestions for improvement. All communications will be carefully considered for future printings of this and all other manuals.

Serial Number Information

Genie Industries offers the following Parts Manuals for these models:

Title	Part No.
Genie S-40 Parts Manual (before serial number 831)	32223
Genie S-40 and S-45 Parts Manual (from serial number 831 to 7000)	52090


Contact Us:

www.genieindustries.com
e-mail: techsup@genieind.com

Copyright © 2004 by Genie Industries

89721 Rev D October 2006
Third Edition, Fourth Printing

"Genie" and "S" are registered trademarks of Genie Industries in the USA and many other countries.

 Printed on recycled paper

Printed in U.S.A.

How To Read Your Serial Number



A TEREX COMPANY

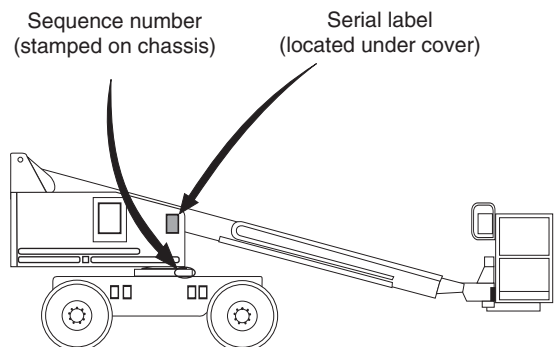
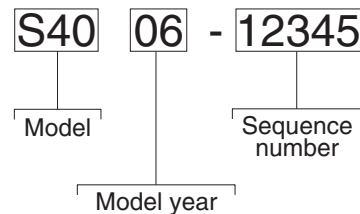
Model: S-40
Serial number: S4006-12345
Model year: 2006 **Manufacture date:** 01/05/06
Electrical schematic number: ES0274
Machine unladen weight:

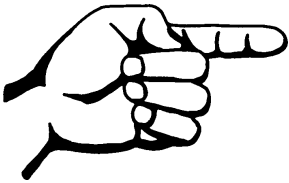
Rated work load (including occupants): 500 lb / 227 kg
Maximum number of platform occupants: 2
Maximum allowable side force : 150 lb / 670 N
Maximum allowable inclination of the chassis:
0 deg
Maximum wind speed : 28 mph/ 12.5 m/s
Maximum platform height : 60 ft 6 in/ 18.3 m
Maximum platform reach : 34 ft 3 in/ 10.4 m
Gradeability: N/A
Country of manufacture: USA
This machine complies with:
ANSI A92.5
CAN B.354.4

Genie Industries
18340 NE 76th Street
Redmond, WA 98052
USA



PN - 77055





This page intentionally left blank.

Table of Contents

This manual is updated frequently. Each parts figure listed below has a figure number and a revision letter. If a figure is updated with new information, the revision letter or 'Rev' is updated (example: from Rev A to Rev B).

Figure	Rev	Description
101.1	B	Decals

If you have a printed manual, you can keep it up to date by downloading new figures from the Genie website at www.genieindustries.com.

How To Read Your Serial Number *iii*
Parts Stocking List *ix*
How To Order Parts *xii*
Order Form *xiii*

Electronic Version

Click on the figure description below to view the figure.

100 • Decals

101.1	F	Decals with Words
102.1	F	Decals with Symbols

200 • Drive Chassis Components

201.1	B	2WD Steer Axle Linkage, Oscillating Models
202.1	A	2WD Steer Axle Linkage, Non-oscillating Models
203.1	B	2WD Steer Axle, Wheels and Hubs
204.1	D	2WD Non-steer Axle (before serial number 7569)
204.2	B	2WD Non-steer Axle (after serial number 7568)
205.1	B	4WD Steer Axle Linkage
206.1	C	4WD Steer Axle - Wheels and Hubs
207.1	E	4WD Non-steer Axle (before serial number 7569)

200 • Drive Chassis Components, Continued

207.2	B	4WD Non-steer Axle (after serial number 7568)
208.1	B	Oscillation Control Valve

300 • Turntable Components

301.1	D	Hydraulic and Fuel Tanks - Gasoline/LPG
302.1	E	Hydraulic and Fuel Tanks - Diesel
303.1	D	Function Manifold, Plug to Platform and Auxiliary Power Unit
304.1	G	Turntable Rotator and Hydraulic Rotary Coupler Installation
305.1	C	Turntable Rotation Drive Hub
306.1	B	Ground Control Box - View 1
307.1	B	Ground Control Box - View 2
308.1	D	Turntable Covers - View 1 (Tank Side)
309.1	D	Turntable Covers - View 2 (Engine Side)
310.1	D	Turntable Covers - View 3
311.1	A	Wire Harness and Power Cable Assemblies

400 • Engine Components

401.1	C	Perkins 704-30 Engine - View 1 (before serial number 7472)
402.1	A	Perkins 704-30 Engine - View 2 (before serial number 7472)
403.1	A	Perkins 704-30 Engine - View 3 (before serial number 7472)
404.1	A	Perkins 704-30 Engine - View 4 (before serial number 7472)
405.1	D	Perkins 404-22 Engine - View 1 (after serial number 7471)
406.1	B	Perkins 404-22 Engine - View 2 (after serial number 7471)
407.1	E	Perkins 404-22 Engine - View 3 (after serial number 7471)
408.1	C	Deutz F3L 1011F Engine - View 1 (before serial number 7544)

Table of Contents continues on the next page.

Table of Contents

409.1	B	Deutz F3L 1011F Engine - View 2 (before serial number 7544)
410.1	D	Deutz F3L 1011F Engine - View 3 (before serial number 7544)
411.1	F	Deutz F3L 2011 Engine - View 1 (after serial number 7543)
412.1	E	Deutz F3L 2011 Engine - View 2 (after serial number 7543)
413.1	D	Ford LRG-425 EFI Engine - View 1 (before serial number 7597)
414.1	B	Ford LRG-425 EFI Engine - View 2 (before serial number 7597)
415.1	C	Ford LRG-425 EFI Engine - View 3 (before serial number 7597)
416.1	G	Ford LRG-425 EFI Engine - View 1 (from serial number 7597 to 11066)
417.1	D	Ford LRG-425 EFI Engine - View 2 (from serial number 7597 to 11066)
418.1	E	Ford LRG-425 EFI Engine - View 3 (from serial number 7597 to 11066)
419.1	A	Ford DSG-423 EFI Engine - View 1 (after serial number 11066)
420.1	A	Ford DSG-423 EFI Engine - View 2 (after serial number 11066)
421.1	A	Ford DSG-423 EFI Engine - View 3 (after serial number 11066)
422.1	A	Ford DSG-423 EFI Engine - View 4 (after serial number 11066)
423.1	B	Engine Tray, Battery and Filter Installation
500 • Boom Components		
501.1	E	Boom Lift and Master Leveling Cylinder Installation
502.1	B	Boom Assembly, S-40
503.1	B	Boom Assembly, S-45
504.1	D	Cable Track Installation
505.1	D	Slave Cylinder and Platform Rotator, S-40
506.1	D	Jib Boom and Platform Rotator, S-45
600 • Platform Components		
601.1	D	Platform Installation - View 1
602.1	E	Platform Installation - View 2
603.1	B	Platform Control Box - View 1
604.1	F	Platform Control Box - View 2
605.1	A	Joystick Controllers
700 • Hydraulic Components		
701.1	F	Function Manifold
702.1	B	Traction Manifold (before serial number 7569)
702.2	B	Traction Manifold (after serial number 7568)
703.1	B	Two-Speed/Brake Manifold
704.1	B	Jib Select, Platform Rotate and Generator Manifolds
705.1	A	Oil Diverter Manifold (welder option)
706.1	A	Hydraulic Pumps
707.1	B	Hydraulic Hoses and Fittings - 2WD Drive and Steer System (before serial number 7569)
707.2	B	Hydraulic Hoses and Fittings - 2WD Drive and Steer System (after serial number 7568)
708.1	A	Hydraulic Hoses and Fittings - 4WD Drive and Steer System (before serial number 7569)
708.2	A	Hydraulic Hoses and Fittings - 4WD Drive and Steer System (after serial number 7568)
709.1	A	Hydraulic Hoses and Fittings - Oscillate System
710.1	C	Hydraulic Hoses and Fittings - Turntable
711.1	B	Hydraulic Hoses and Fittings - Boom Components, S-40
712.1	B	Hydraulic Hoses and Fittings - Boom Components, S-45
713.1	A	Hydraulic Hose and Fitting Cross-reference

Table of Contents

800 • Accessories

801.1	D	Alarm and Beacon Package, Drive Light Option
802.1	E	Platform Options
803.1	C	Ground and Platform Control Box Covers Options
804.1	C	Platform Overload - European Models
805.1	C	Platform Half-Mesh and Pipe Cradle
806.1	B	Air Line to Platform
807.1	B	Cold Start Package
808.1	G	Generator and Second LPG Tank Options
809.1	B	Hydraulic Hoses and Fittings - Generator
810.1	C	Gauge Option
811.1	D	Panel Cradle
812.1	B	Welder Option, Chassis Components - View 1
813.1	D	Welder Option, Platform Components - View 2
814.1	B	Hoses and Fittings - Welder
815.1	B	Hydraulic Oil Cooler Option
816.1	B	Hostile Environment Package - View 1
817.1	B	Hostile Environment Package - View 2
818.1	D	Hostile Environment Package - View 3
819.1	B	Hostile Environment Package - View 4
820.1	B	Hostile Environment Package - View 5

Parts Stocking List

Required Parts

The following parts are required to perform maintenance procedures as outlined in the *Genie S-40 and S-45 Service Manual*.

Perkins 704-30 Models (before serial number 7472):

Description	Part No.
Air Filter Element	62420
Fuel Filter Element	62421
Fuel/water Separator Filter	65853
Engine Oil Filter	62422
V-Belt	62423

Perkins 404-22 Models (after serial number 7471):

Description	Part No.
Air Filter Element	62420
Fuel Filter Element	62421
Fuel/water Separator Element	62433
Engine Oil Filter	94762
V-Belt	89765

Deutz F3L-1011F Models (before serial number 7544):

Description	Part No.
Air Filter Element	62420
Fuel/water Separator Filter	29560
Engine Oil Filter	49924
V-Belt	32698

Deutz F3L-2011 Models (after serial number 7543):

Description	Part No.
Air Filter Element	62420
In-line Fuel Strainer	70496
Fuel/water Separator Filter	29560
Engine Oil Filter	49924
V-Belt	32698

Ford LRG-425 Models (before serial number 7597):

Description	Part No.
Fuel Pre-Filter	52179
Fuel Pressure Regulator Filter	58967
Engine Oil Filter	28656
Air Filter Element	62420
Serpentine Belt	52580
PCV Valve	33957
Spark Plug	28647

Ford LRG-425 Models (from serial number 7597 to 11066):

Description	Part No.
Fuel Pre-Filter	52179
Fuel Pressure Regulator Filter	58967
Engine Oil Filter	28656
Air Filter Element	77295
Serpentine Belt	52580
PCV Valve	33957
Spark Plug (pack of 4)	106490

Ford DSG-423 EFI Models (after serial number 11066):

Description	Part No.
Fuel Pre-Filter	52761
Fuel Pressure Regulator Filter	119491
Engine Oil Filter	119139
Air Filter Element	77295
Serpentine Belt	119138
PCV Valve	119474
Spark Plug	119467
Spark Plug (pack of 4)	119495

Recommended Parts

Genie Gray Paint, 12 Ounce / 355ml Aerosol	1268
Genie Blue Paint, 12 Ounce / 355ml Aerosol	1484
Genie Blue Paint, 1 gallon / 3.78 liters	32150
Genie Gray Paint, 1 gallon / 3.78 liters	32151

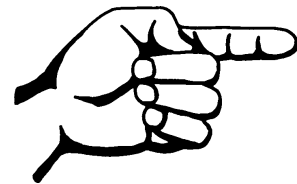
Parts Stocking List continues on the next page.

Parts Stocking List

Manuals

Genie Industries offers the following support documents for these models:

Title	Part No.
Genie S-40, S-45 Operator's Manual (before serial number 7190)	43645
Genie S-40, S-45 Operator's Manual (from serial number 7190 to 9752)	82500
Genie S-40, S-45 Operator's Manual (after serial number 9752)	1000056
Genie S-40 Service Manual (before serial number 3804)	32222
Genie S-40 Service Manual (from serial number 3804 to 4728)	52271
Genie S-40, S-45 Service Manual (from serial number 4728 to 7000)	72136
Genie S-40, S-45 Service Manual (from serial number 7001)	102521
EMI Safety Manual	27581
Manual of Responsibilities ANSI A92.5	31779



This page intentionally left blank.

How To Order Parts

Please be prepared with the following information when ordering replacement parts for your Genie product:

- Machine model number
- Machine serial number
- Genie part number
- Part description and quantity
- Purchase order number
- "Ship to" address
- Desired method of shipment
- Name and telephone number of the authorized Genie Distributor in your area

Use the Service Parts Fax Order Form on the next page and fax your order to our Parts Department.

Machine Information

Model

Serial Number

Date of Purchase

Authorized Genie Distributor

Phone Number

Genie North America

Telephone (425) 556-6551
Toll Free (877) 367-5606 in U.S.A. and Canada
Fax (425) 556-8659

Genie UK

Parts Telephone (44) (0) 1476 584352
Parts Fax (44) (0) 1476 584340

Genie Australia

Parts Telephone (617) 03375 1660
Parts Fax (617) 03375 1002

Genie France

Parts Telephone (33) (0) 237 26 09 99
Parts Fax (33) (0) 237 31 50 10

Genie Germany

Parts Telephone (49) (0) 4202 885223
Parts Fax (49) (0) 4202 885225

Genie Scandinavia

Parts Telephone (46) (31) 3409612
Parts Fax (46) (31) 3409613

Genie Iberica

Parts Telephone (34) (93) 5795042

Genie Brazil

Parts Telephone (55) (114) 1665755
Parts Fax (55) (114) 1665754

Genie Japan

Parts Telephone (81) (33) 4536082
Parts Fax (81) (33) 4536083

Genie China

Parts Telephone (86) (215) 3852570
Parts Fax (86) (215) 3852569

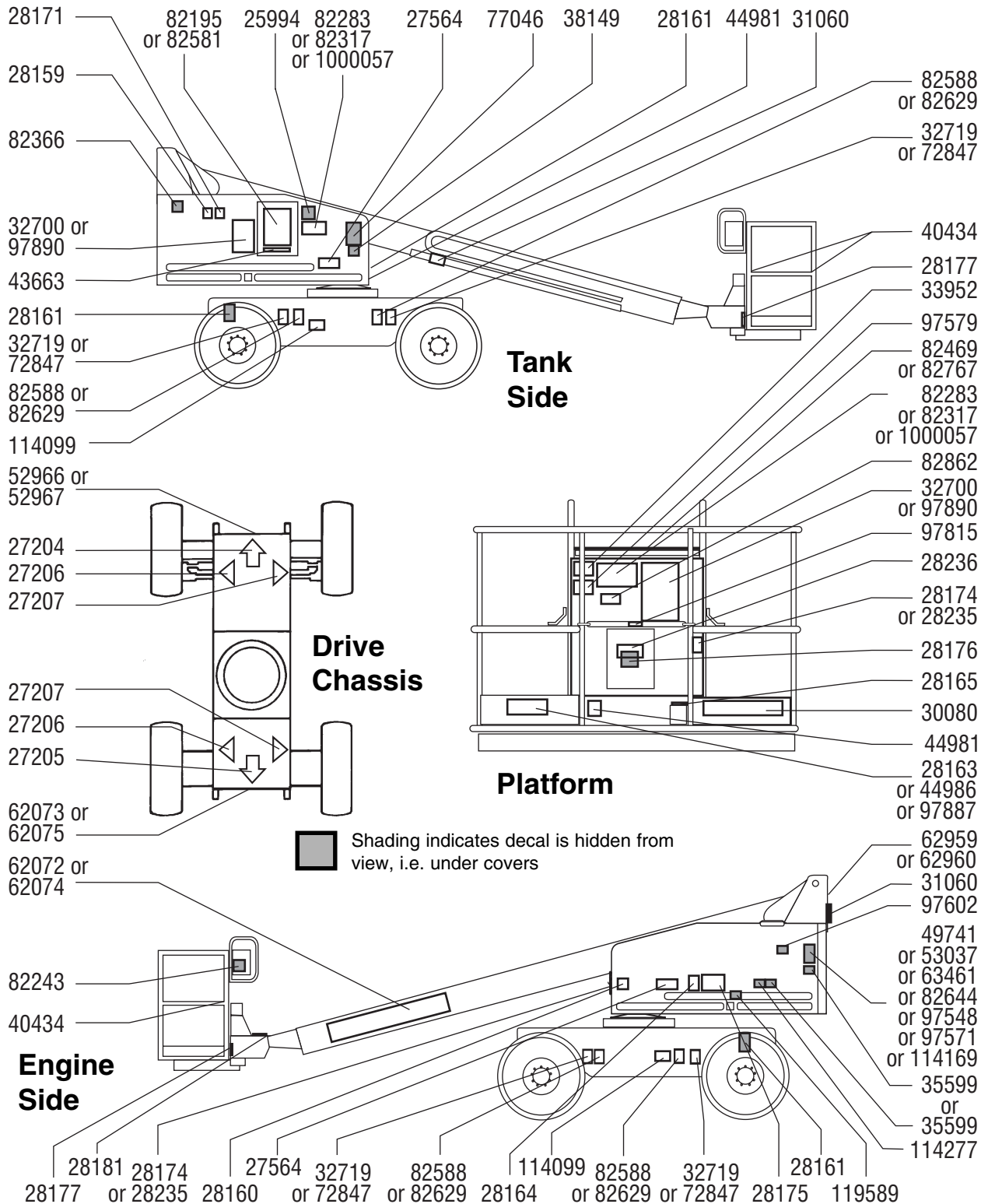
Parts Figures

Item	Part No.	Description	Qty.	Item	Part No.	Description	Qty.
—	89834	Decal Kit - Safety/Instructional (Gasoline/LPG models) (includes items 2-7, 9, 10, 12-14, 16-19, 21-26, 29, 30, 44-47, 51 and 57) (before serial number 7182)		15	28174	Label - Power to Platform, 230V AC	2
—	89835	Decal Kit - Safety/Instructional (Diesel models) (includes items 2-6, 8, 10, 12-14, 16-19, 21-30, 44-47, 51 and 57) (before serial number 7182)		16	28175	Caution - Compartment Access ...	1
—	102150	Decal Kit - Safety/Instructional (includes items 1-5, 7-10, 12-14, 16-19, 21-30, 36, 43-49, and 51) (from serial number 7182 to 9752)		17	28176	Notice - Missing Manuals	1
—	111322	Decal Kit - Safety/Instructional (includes items 1-5, 7-10, 12-14, 16-19, 21-30, 36, 43-49, and 51) (after serial number 9752)		18	28177	Warning - Platform Rotate	2
1	25994	Caution - Component Damage, Hydraulic Valves	1	19	28181	Warning - No Step or Ride	1
2	27204	Arrow - Blue	1	20	28235	Label - Power to Platform, 115V AC	2
3	27205	Arrow - Yellow	1	21	28236	Warning - Failure To Read	1
4	27206	Triangle - Blue	2	22	30080	Notice - Max Capacity, 500 lbs / 227 kg	1
5	27207	Triangle - Yellow	2	23	31060	Danger - Tip-over Hazard, Interlock	3
6	27564	Danger - Electrocution Hazard	2	24	32700	Danger - General Safety (before serial number 9753)	2
7	28158	Label - Unleaded	1	—	97890	Danger - General Safety (after serial number 9752)	
8	28159	Label - Diesel	1	25	32719	Notice - Tire Specifications	4
9	28160	Label - Liquid Petroleum Gas	2	26	33952	Danger - Tilt-Alarm	1
10	28161	Warning - Crushing Hazard	3	27	35599	Notice - Align Air Hoses	1
11	28163	Notice - Max Side Force, 150 lbs / 667 N (before serial number 9753)	1	28	38149	Label - Patents	1
—	97887	Notice - Max Side Force, 150 lbs / 667 N (after serial number 9752)		29	40434	Label - Lanyard Anchorage	3
12	28164	Notice - Hazardous Materials	1	30	43663	Notice - Function Enable (before serial number 7181)	1
13	28165	Notice - Foot Switch	1	31	44981	Label - Air Line to Platform	2
14	28171	Label - No Smoking	1	32	49741	Notice - Engine Specifications, Ford LRG-425 EFI (before serial number 7597)	1
				—	97571	Notice - Engine Specifications, Ford LRG-425 EFI (from serial number 7597 to 11066)	
				—	114169	Notice - Engine Specifications, Ford DSG-423 EFI (after serial number 11066)	
				33	44986	Notice - Max Side Force, 90 lbs / 400 N, Wind Speed 28 m/sec, Australia Models (European models before serial number 9753)	1

This list continues on the next page.



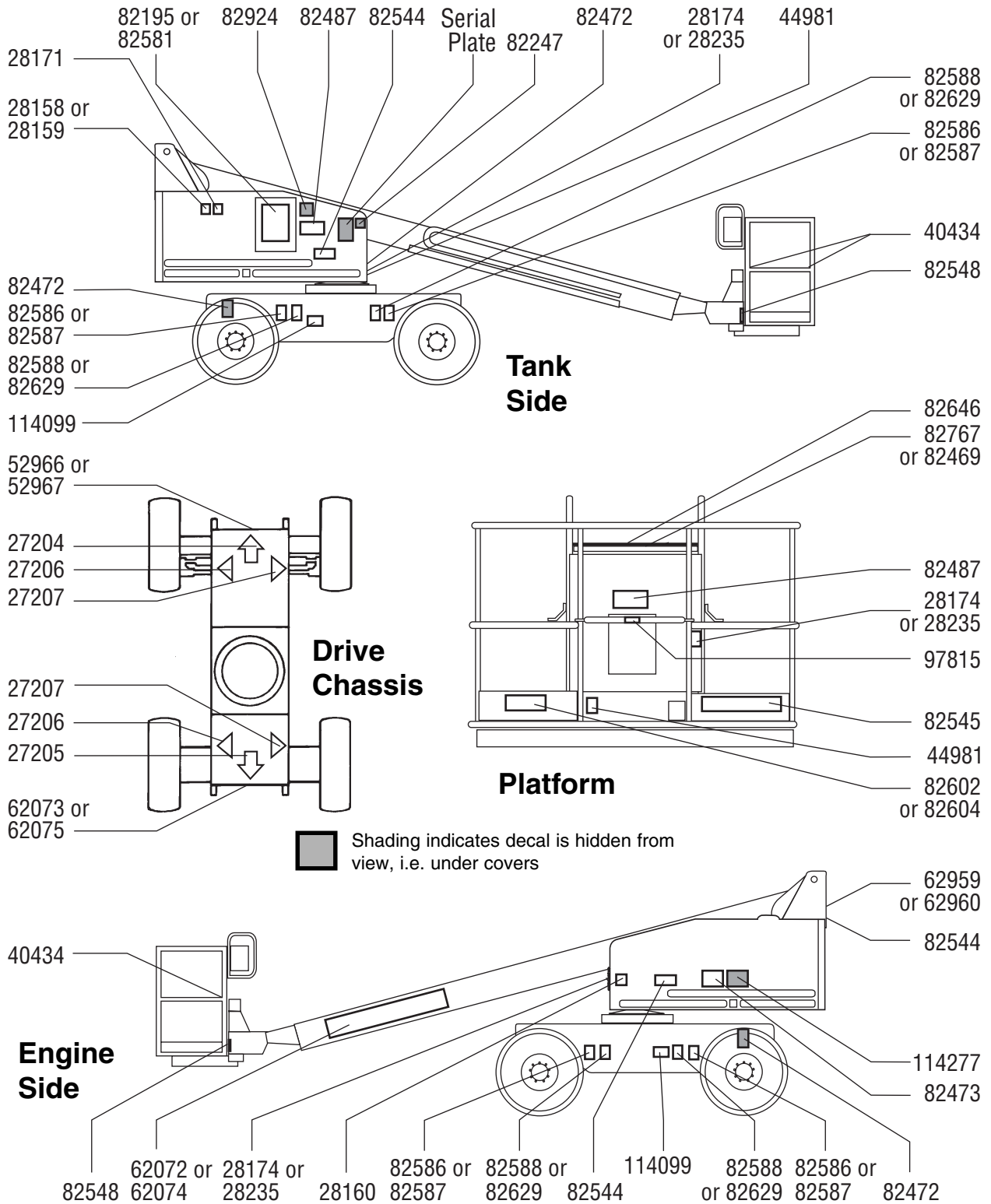
Figure 101.1
Rev F
Description Decals with Words



Item	Part No.	Description	Qty.	Item	Part No.	Description	Qty.
34	52966	Cosmetic, 4 x 2	1	51	82469	Platform Control Panel (before serial number 7182)	1
35	52967	Cosmetic, 4 x 4	1	—	89836	Clear Protector	
36	53037	Notice - Engine Specifications, Deutz F3L 1011 (before serial number 7544)	1	—	82242	Label - Fuel Select, Patch (Ford models)	
—	97548	Notice - Engine Specifications, Deutz F3L 2011 (after serial number 7543)		—	82767	Platform Control Panel (after serial number 7181)	
37	62074	Cosmetic - Genie S-45	1	—	89836	Clear Protector	
38	62072	Cosmetic - Genie S-40	1	52	114277	Label - Belt Routing (Ford models)	1
39	62073	Cosmetic - S-40	1	53	119589	Caution - 12V Electrical, Ford DSG-423 models (after serial number 11066)	1
40	62075	Cosmetic - S-45	1	54	114099	Label - Transport Diagram	2
41	62959	Cosmetic - S-40	1	55	82862	Label - Fire Extinguisher (welder option)	1
42	62960	Cosmetic - S-45	1	56	97579	Danger - Tip-over Hazard (welder option)	1
43	63461	Notice - Engine Specifications, Perkins 704-30 (before serial number 7472)	1	57	72847	Notice - Tire Specifications, High Flotation	4
—	82644	Notice - Engine Specifications, Perkins 404C-22 (after serial number 7471)					
44	82243	Label - Fault Codes	1				
45	82317	Notice - Operating Instructions (before serial number 7182)	2				
—	82283	Notice - Operating Instructions (from serial number 7182 to 9752)					
—	1000057	Notice - Operating Instructions (from serial number 9753)					
46	82366	Label - Chevron Rykon	1				
47	82195	Ground Control Panel (before serial number 7182)	1				
—	82581	Ground Control Panel (after serial number 7181)					
48	82588	Label - Wheel Load (S-40)	4				
49	82629	Label - Wheel Load (S-45)	4				
50	77046	Label - Serial Number	1				



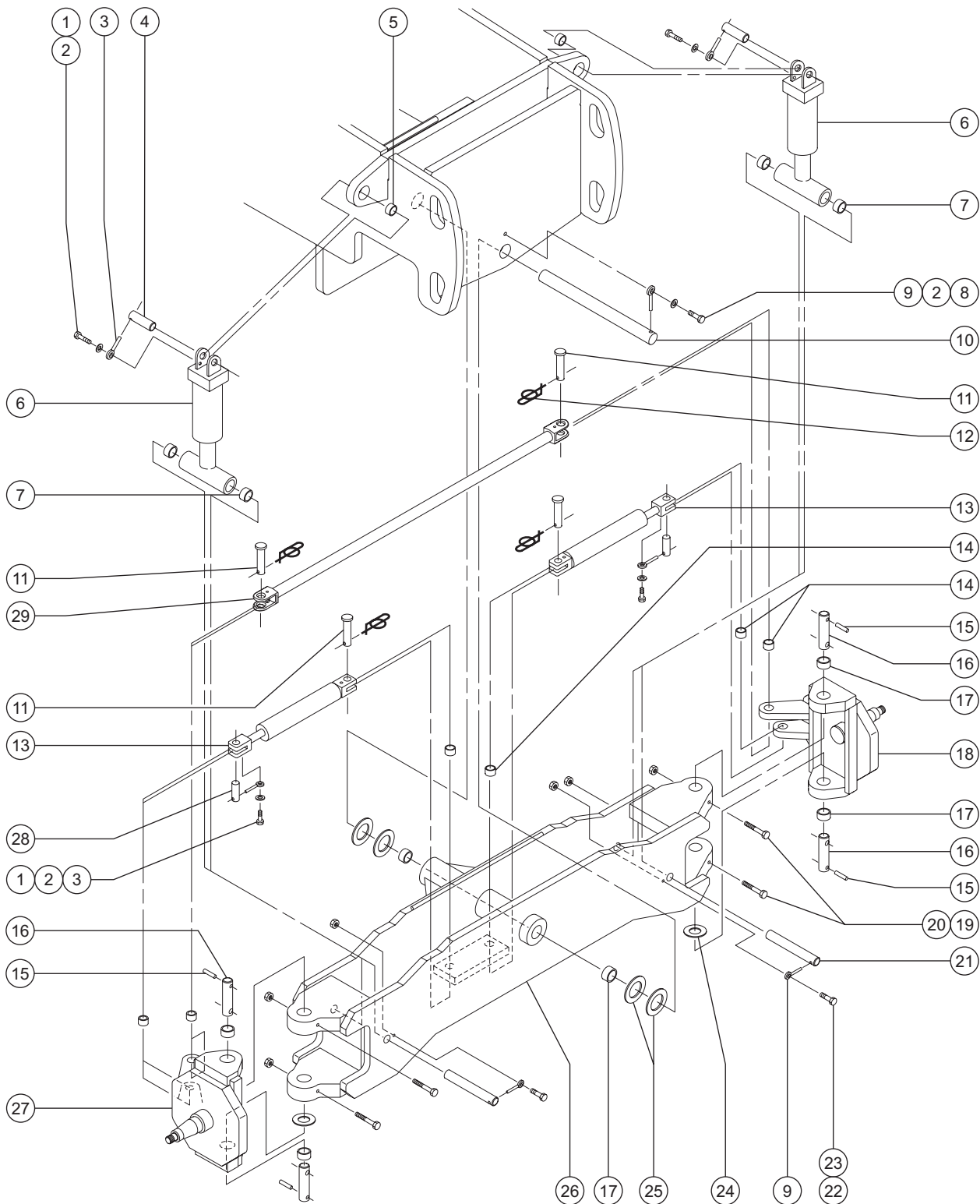
Figure 102.1 **Rev F** **Description**
Decals with Symbols



Item	Part No.	Description	Qty.	Item	Part No.	Description	Qty.
—	102149	Decal Kit - Safety/Instructional (includes items 1-11, 24-30, 32 and 34-37)		24	82767	Platform Control Panel (after serial number 7181)	1
1	27204	Arrow - Blue	1	—	89836	Clear Protector	
2	27205	Arrow - Yellow	1	25	82472	Warning - Crushing Hazard	3
3	27206	Triangle - Blue	2	26	82473	Caution - Compartment Access ...	1
4	27207	Triangle - Yellow	2	27	82487	Label - Read the Manual	2
5	28158	Label - Unleaded	1	28	82544	Danger - Electrocutation Hazard	3
6	28159	Label - Diesel	1	29	82545	Danger - Maximum Load 500 lbs / 227 kg	1
7	28160	Label - Liquid Petroleum Gas	1	30	82548	Warning - Platform Rotate	2
8	28171	Label - No Smoking	1	31	82195	Ground Control Panel (before serial number 7182)	1
9	28174	Label - Power to Platform, 230V AC	2	—	82581	Ground Control Panel (after serial number 7181)	
10	28235	Label - Power to Platform, 115V AC	2	32	82586	Label - Tire Pressure	4
11	40434	Label - Lanyard Anchorage	3	33	82587	Label - Tire Pressure, Hi Flotation	4
12	44981	Label - Air Line to Platform	2	34	82588	Label - Wheel Load (S-40)	4
13	52966	Cosmetic, 4 x 2	1	35	82629	Label - Wheel Load (S-45)	4
14	52967	Cosmetic, 4 x 4	1	36	82646	Label - Drive Enable Patch	1
15	62072	Cosmetic, Genie S-40	1	37	82924	Caution - Component Damage, Hydraulic Valves	1
16	62073	Cosmetic, S-40	1	38	97815	Label - Lower Mid-rail	1
17	62074	Cosmetic, Genie S-45	1	39	114099	Label - Transport Diagram	2
18	62075	Cosmetic, S-45	1	40	82247	Label - 107 dB	1
19	62959	Cosmetic, S-40	1	41	114277	Label - Belt Routing (Ford models)	1
20	62960	Cosmetic, S-45	1				
21	82602	Danger - Maximum Manual Force, 150 lbs / 667 N (USA / Canada models)	1				
22	82604	Danger - Maximum Manual Force, 90 lbs / 400 N (European models)	1				
23	82469	Platform Control Panel (before serial number 7182)	1				
—	89836	Clear Protector					
—	82242	Label - Fuel Select, Patch (Ford models)					



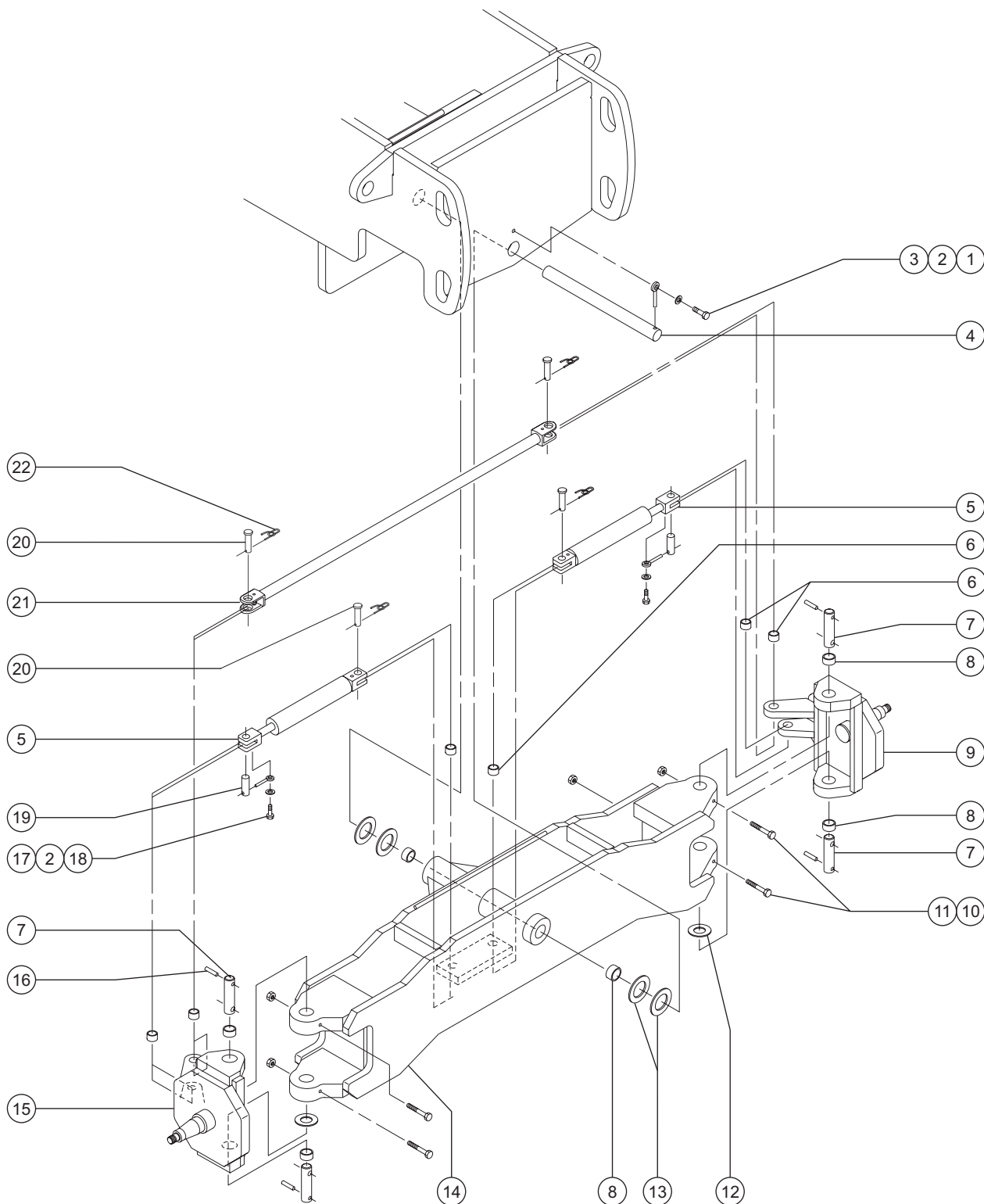
Figure 201.1
Rev B
Description 2WD Steer Axle Linkage, Oscillating Models



Item	Part No.	Description	Qty	Item	Part No.	Description	Qty
1	49857	Screw - HHC, 3/8 -16 x 0.875 inch, GR 5		25	36603	Flat Washer, 1.56 x 3.5 x 0.057 inch as needed	
2	6021	Lock Washer, 3/8 inch		26	89805	Steer Axle Assembly (includes items 14 and 17) 1	1
3	25284	Rod End, 0.375 x 2.25 inches 8	8	27	65516	Yoke Assembly - Right Side (includes items 14 and 17) 1	1
4	30737	Pivot Pin, 3 x 1.25 inches 2	2	28	30734	Pivot Pin, 2.88 x 1 inch 2	2
5	30370	Bearing, 1.25 x 1.5 x 1 inch 2	2	29	63155	Tie Rod 1	1
6	89099	Oscillation Cylinder (includes item 7) 2	2				
—	89100	Seal Kit					
—	31106	Counterbalance Valve, 3000 psi / 206 bar					
7	59266	Bearing, 1.25 x 1.5 x 0.75 inch 4	4				
8	6175	Screw - HHC, 3/8 -16 x 1 inch, GR 5					
9	45226	Rod End, 0.375 x 3.69 inches 3	3				
10	30735	Pivot Pin, 17.5 x 1.5 inches 1	1				
11	19440	Clevis Pin, 1 x 2.5 inches 4	4				
12	74389	Rue Ring, 1.25 x 15.13 inches 4	4				
13	89065	Steer Cylinder 2	2				
—	89066	Seal Kit					
14	25817	Bearing, 1 x 1.25 x 1 inch 6	6				
15	14815	Roll Pin, 0.25 x 2.25 inches 4	4				
16	53081	Pivot Pin, 4.63 x 1.5 inches 4	4				
17	45071	Bearing, 1.5 x 1.75 x 1.5 inches ... 6	6				
18	65515	Yoke Assembly - Left Side (includes items 14 and 17) 1	1				
19	8220	Screw - HHC, 1/2 -13 x 4 inches, GR 5					
20	6086	Low Profile Nylock Nut, 1/2 -13					
21	30190	Pivot Pin, 7.25 x 1.25 inches 2	2				
22	6708	Screw - HHC, 3/8 -16 x 2.25 inches, GR 5					
23	4828	Nylock Nut, 3/8 -16					
24	45074	Thrust Washer, 1.51 x 3.5 x 0.187 inch 2	2				



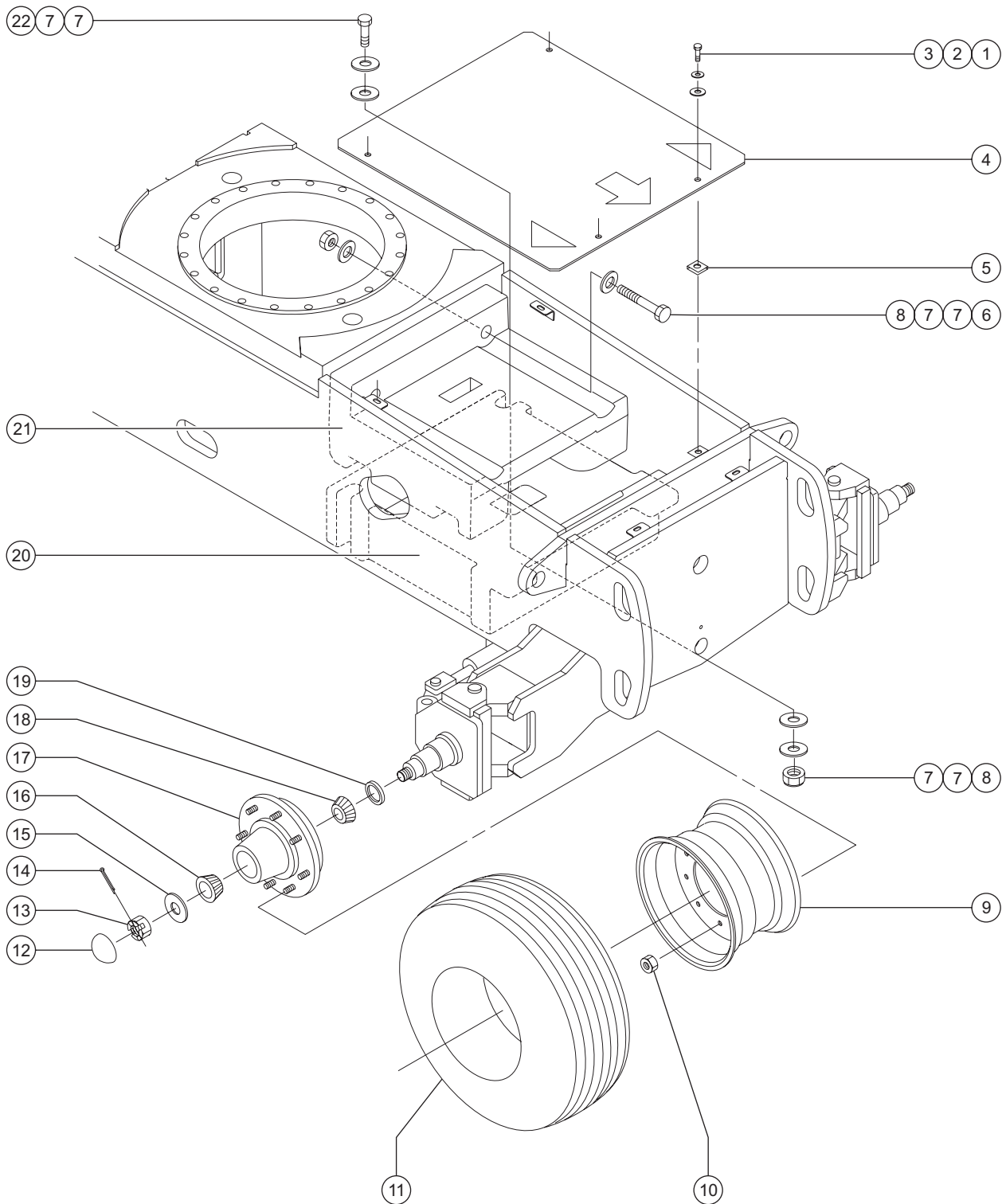
Figure 202.1
Rev A
Description 2WD Steer Axle Linkage, Non-oscillating Models



Item	Part No.	Description	Qty.
1	6175	Screw - HHC, 3/8 -16 x 1 inch, GR 5	
2	6021	Lock Washer, 3/8 inch	
3	45226	Rod End, 0.375 x 3.69 inches	1
4	30735	Pivot Pin, 17.5 x 1.5 inches	1
5	89065	Steer Cylinder	2
—	89066	Seal Kit	
6	25817	Bearing, 1 x 1.25 x 1 inch	6
7	53081	Pivot Pin, 4.63 x 1.5 inches	4
8	45071	Bearing, 1.5 x 1.75 x 1.5 inches ...	6
9	65515	Yoke Assembly - Left Side (includes items 6 and 8)	1
10	8220	Screw - HHC, 1/2 -13 x 4 inches, GR 5	
11	6086	Nylock Nut, 1/2 -13	
12	45074	Thrust Washer, 1.51 x 3.5 x 0.187 inch	2
13	36603	Flat Washer, 1.56 x 3.5 x 0.057 inch	as needed
14	89804	Steer Axle Assembly - Non-oscillating (includes items 6 and 8)	1
15	65516	Yoke Assembly - Right Side (includes items 6 and 8)	1
16	14815	Roll Pin, 0.25 x 2.25 inches	2
17	49857	Screw - HHC, 3/8 -16 x 0.875 inch, GR 5	
18	25284	Rod End, 0.375 x 2.25 inches	2
19	30734	Pivot Pin, 2.88 x 1 inch	2
20	19440	Clevis Pin, 1 x 2.5 inches	2
21	63155	Tie Rod	1
22	74389	Rue Ring, 1.25 x 15.13 inches	4



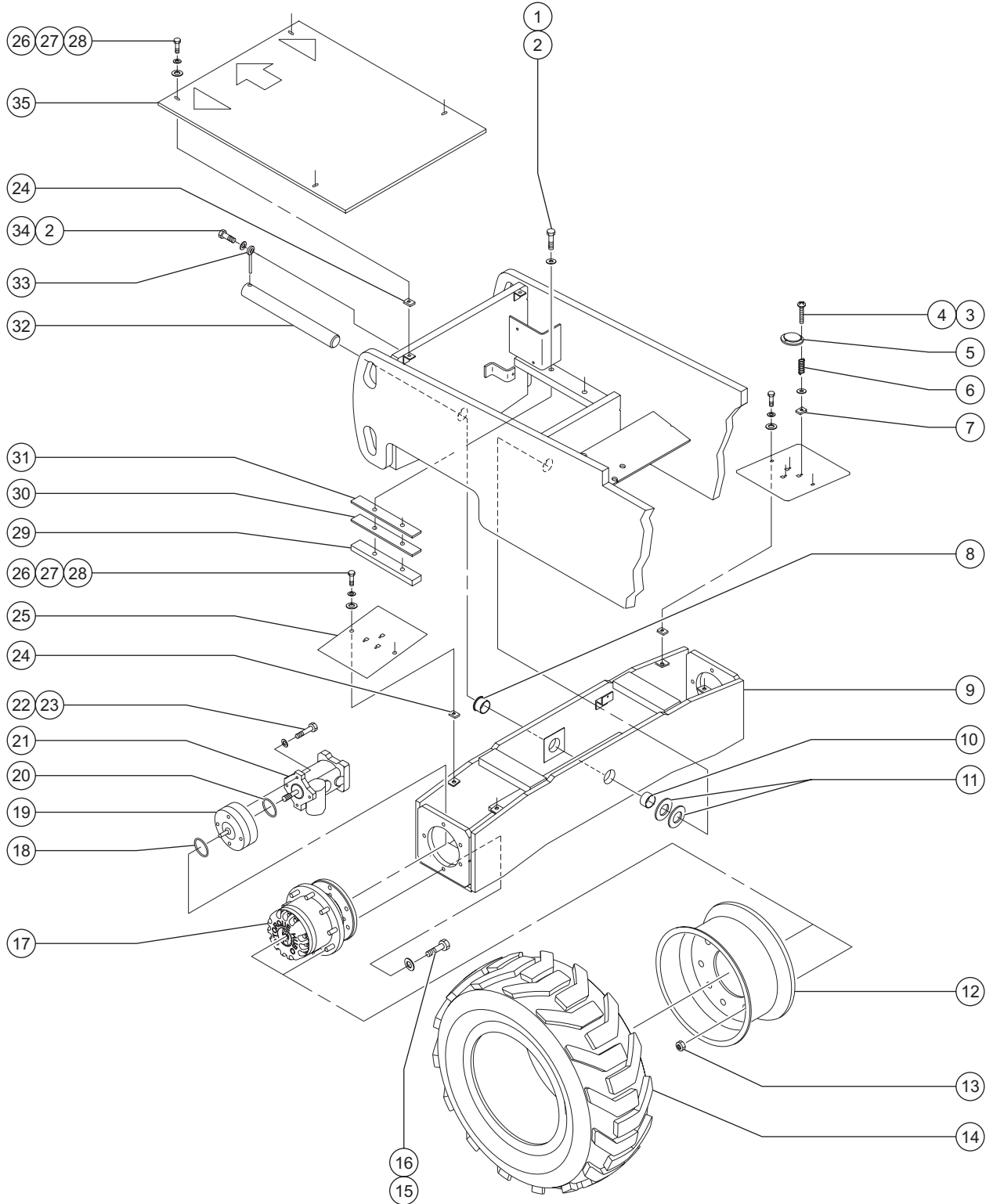
Figure 203.1 **Rev** B **Description** 2WD Steer Axle, Wheels and Hubs



Item	Part No.	Description	Qty.	Item	Part No.	Description	Qty.
1	6090	Screw - HHC, 1/4 -20 x 0.75 inch, GR 5		11	102088	Tire and Wheel Assembly - Rough Terrain, Non-marking, Air-filled, Right Side	1
2	6356	Lock Washer, 1/4 inch		—	102089	Tire and Wheel Assembly - Rough Terrain, Non-marking, Air-filled, Left Side	
3	6638	Flat Washer, 1/4 inch		—	111455	Tire and Wheel Assembly - Rough Terrain, Non-marking, Air-filled with Sealant, Right Side	
4	102278	Steer End Cover Assembly with Decals	1	—	111456	Tire and Wheel Assembly - Rough Terrain, Non-marking, Air-filled with Sealant, Left Side	
5	25969	Spring Clip Nut, 1/4 -20		—	102804	Tire and Wheel Assembly - Rough Terrain, Non-marking, Foam-filled, Right Side	
6	34350	Screw - HHC, 1-8 x 6 inches, GR 5		—	102805	Tire and Wheel Assembly - Rough Terrain, Non-marking, Foam-filled, Left Side	
7	38859	Flat Washer, 1 x 2.5 x 0.14 inch		12	45111	Dust Cap	2
8	29764	Nylock Nut, 1-8		13	45113	Spindle Nut, 1-14	2
9	73199	Wheel, 16 x 10 inches, 8 hole	2	14	45114	Cotter Pin, 0.219 x 1.75 inches	2
—	73268	Wheel, 16.5 x 9.75 inches, 8 hole		15	45112	Spindle Washer	2
10	54627	Lug Nut, 5/8 -18, 90°	16	16	45108	Outer Cone Bearing	2
11	73200	Industrial Tire, 12.5 x 16SL, 14 Ply	2	17	45043	Hub Assembly (includes items 9-13, 15, 16 and races)	2
—	73212	Non-Marking Tire, 12 x 16.5, 12 Ply		—	40145	Large Race	
—	81489	Rough Terrain Tire, 12 x 16.5, 8 Ply		—	40146	Small Race	
11	73198	Tire and Wheel Assembly - Industrial, Air-filled (shown)	2	—	21166	Wheel Stud, 5/8 -18	
—	111448	Tire and Wheel Assembly- Industrial, Air-filled with Sealant		18	45107	Inner Cone Bearing	2
—	73764	Tire and Wheel Assembly - Industrial, Foam-filled		19	45110	Grease Seal	2
11	81490	Tire and Wheel Assembly - Rough Terrain, Air-filled, Right Side	1	—	45873	Hub Seal and Bearing Kit (includes items 9-13, 15, 16 and races)	
—	81491	Tire and Wheel Assembly - Rough Terrain, Air-filled, Left Side		20	46958	Drive Chassis Weight, 429 lbs, 2WD (S-40)	1
—	111451	Tire and Wheel Assembly - Rough Terrain, Air-filled with Sealant, Right Side		21	53415	Drive Chassis Weight, 429 lbs, 2WD (S-45)	1
—	111452	Tire and Wheel Assembly - Rough Terrain, Air-filled with Sealant, Left Side		22	34079	Screw - HHC, 1-8 x 8.5 inches, GR 5	
—	81494	Tire and Wheel Assembly - Rough Terrain, Foam-filled, Right Side					
—	81495	Tire and Wheel Assembly - Rough Terrain, Foam-filled, Left Side					



Figure 204.1 **Rev** D **Description** 2WD Non-steer Axle (before serial number 7569)



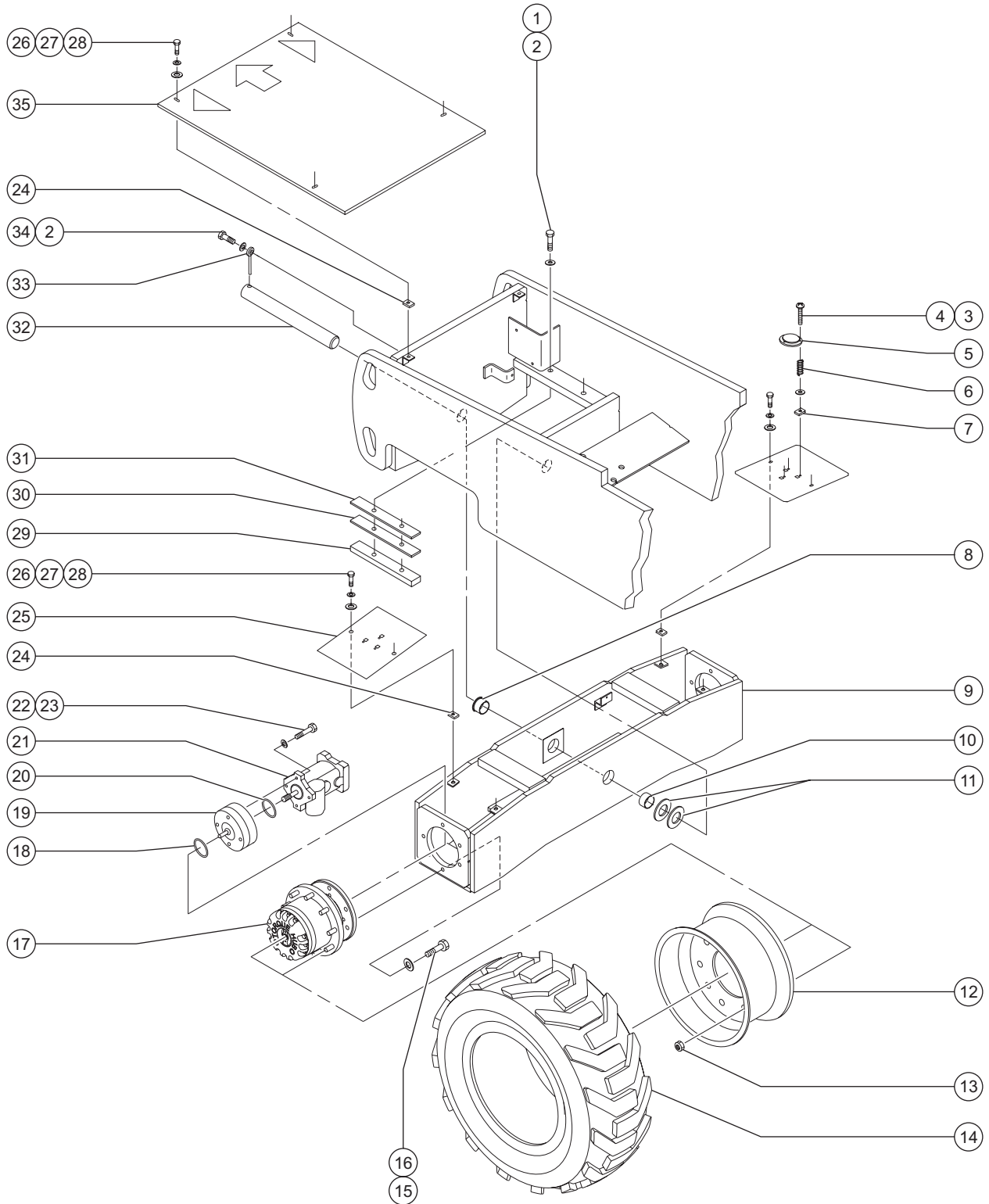
204.1
2WD Non-steer Axle (before serial number 7569) Rev D

Item	Part No.	Description	Qty.	Item	Part No.	Description	Qty.
1	6096	Screw - HHC, 1/2 -13 x 2 inches, GR 5		14	73204	Tire and Wheel Assembly - Non-marking, Right Side	1
2	6021	Lock Washer, 3/8 inch		—	73205	Tire and Wheel Assembly - Non-marking, Left Side	
3	73634	Screw - PHPM, 10-24 x 0.5 inch		—	111453	Tire and Wheel Assembly - Non-marking with Sealant, Right Side	
4	6146	Flat Washer, #10		—	111454	Tire and Wheel Assembly - Non-marking with Sealant, Left Side	
5	77026	Bubble Level (European models)	1	—	102802	Tire and Wheel Assembly - Non-marking, Foam-filled Right Side	
6	77027	Spring	3	—	102803	Tire and Wheel Assembly - Non-marking, Foam-filled Left Side	
7	73575	Spring Clip Nut, 10-24	3	15	13004	Screw - HHC, 5/8 -11 x 3 inches, GR 8	12
8	54156	Flanged Bearing, 1.5 x 1.75 x 1 inch	1	16	56911	Flat Washer, 5/8 inch	
9	89802	Non-steer Axle Assembly (includes items 8 and 11)	1	17	20193	Drive Hub, 35:1	2
10	18396	Bearing, 1.5 x 1.75 x 1 inch	1	—	21142	Seal Kit	
11	36603	Flat Washer, 1.56 x 3.5 x 0.057 inch	as needed	—	21149	Wheel Stud, 5/8 -18	
12	73196	Wheel 16.5 x 9.75, 9 holes	2	—	21143	Bearing and Race Kit	
13	54627	Lug Nut, 5/8 -18, 90°	18	—	58328	Drive Hub End Cover	
14	81489	Tire, 12 -16.5, 8 Ply	2	—	37097	O-ring (included in Seal Kit)	
—	73212	Tire, 12 -16.5, 12 Ply, Non-marking		—	21148	Thrust Washer	
14	81008	Tire and Wheel Assembly - Air-filled, Right Side	1	—	21146	Cap Cover	
—	81009	Tire and Wheel Assembly - Air-filled, Left Side		—	21144	Actuator	
—	111449	Tire and Wheel Assembly - Air-filled with Sealant, Right Side		—	21145	Disconnect Rod	
—	111450	Tire and Wheel Assembly - Air-filled with Sealant, Left Side		—	72283	End Cover	
—	81492	Tire and Wheel Assembly - Foam-filled, Right Side		18	41252	O-ring	2
—	81493	Tire and Wheel Assembly - Foam-filled, Left Side		19	41912	Ausco Brake (includes item 18)	2
				—	77240	Seal Kit	
				—	77239	Lining Kit	
				—	65608	Bearing Kit	
				20	22811	O-ring	2
				21	41398	Drive Motor, Non-steer Axle (includes item 20)	2
				—	32680	Seal Kit	

This list continues on the next page.

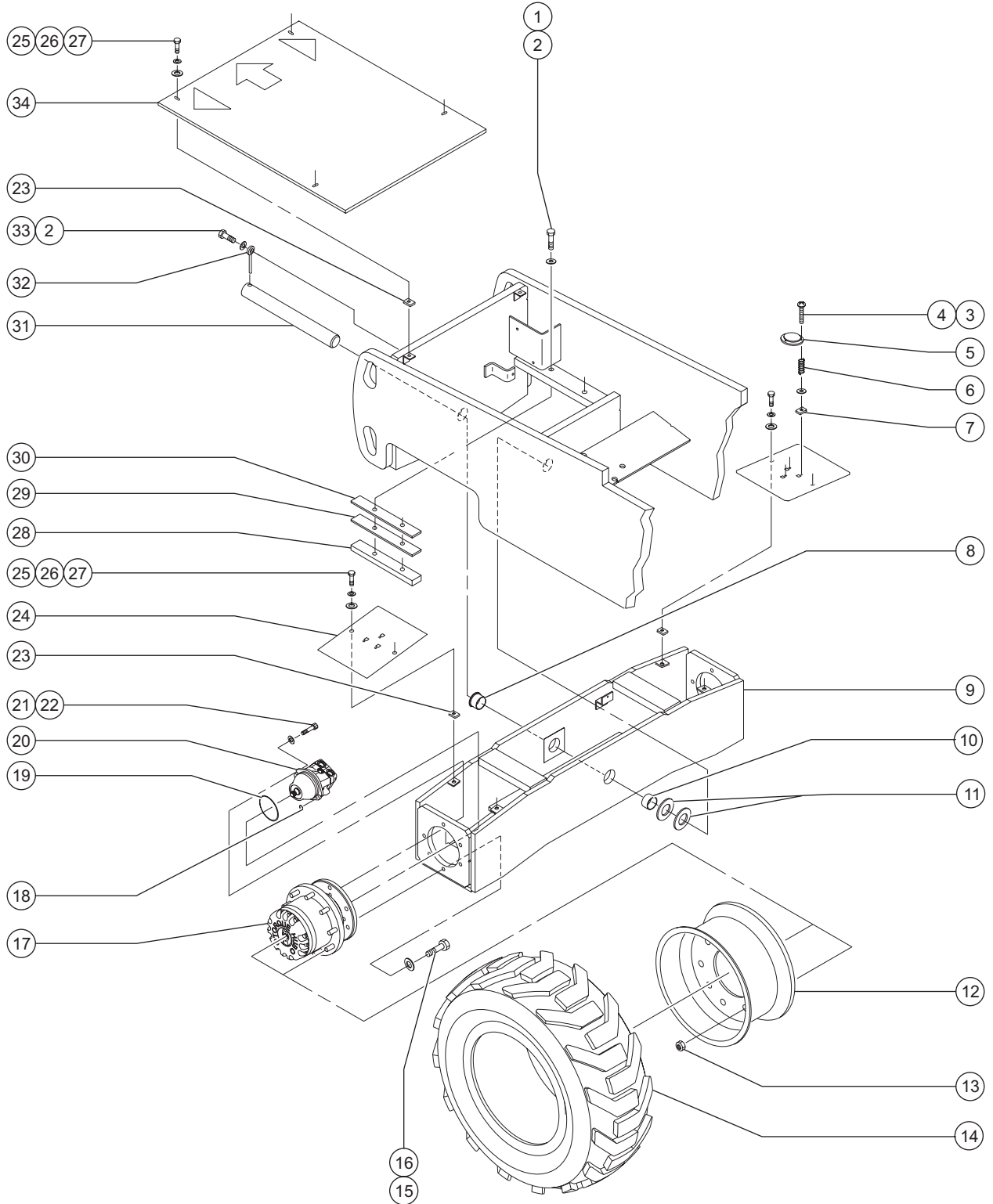


Figure 204.1 **Rev** D **Description** 2WD Non-steer Axle (before serial number 7569)



Item	Part No.	Description	Qty.
22	73858	Screw - SHC, 1/2 -13 x 5 inches, GR 5	
23	13066	Flat Washer, 1/2 inch	
24	25969	Spring Clip Nut, 1/4 -20	8
25	30802P	Non-steer Axle Cover	2
26	6090	Screw - HHC, 1/4 -20 x 0.75 inch, GR 5	
27	6356	Lock Washer, 1/4 inch	
28	6638	Flat Washer, 1/4 inch	
29	30690	Axle Rotation Stop Bar (oscillating models)	2
—	30691	Axle Rotation Stop Bar (non-oscillating models)	
30	30808	Axle Rotation Stop Shim, 9.5 x 1.5 x 0.108 inch	as needed
31	30809	Axle Rotation Stop Shim, 9.5 x 1.5 x 0.034 inch	as needed
32	30735	Pivot Pin, 17.5 x 1.5 inches	1
33	45226	Rod End, 0.375 x 3.69 inches	1
34	6175	Screw - HHC, 3/8 -16 x 1 inch, GR 5	
35	89803	Non-steer End Cover with Decals	1

Figure 204.2 **Rev** B **Description** 2WD Non-steer Axle (after serial number 7568)



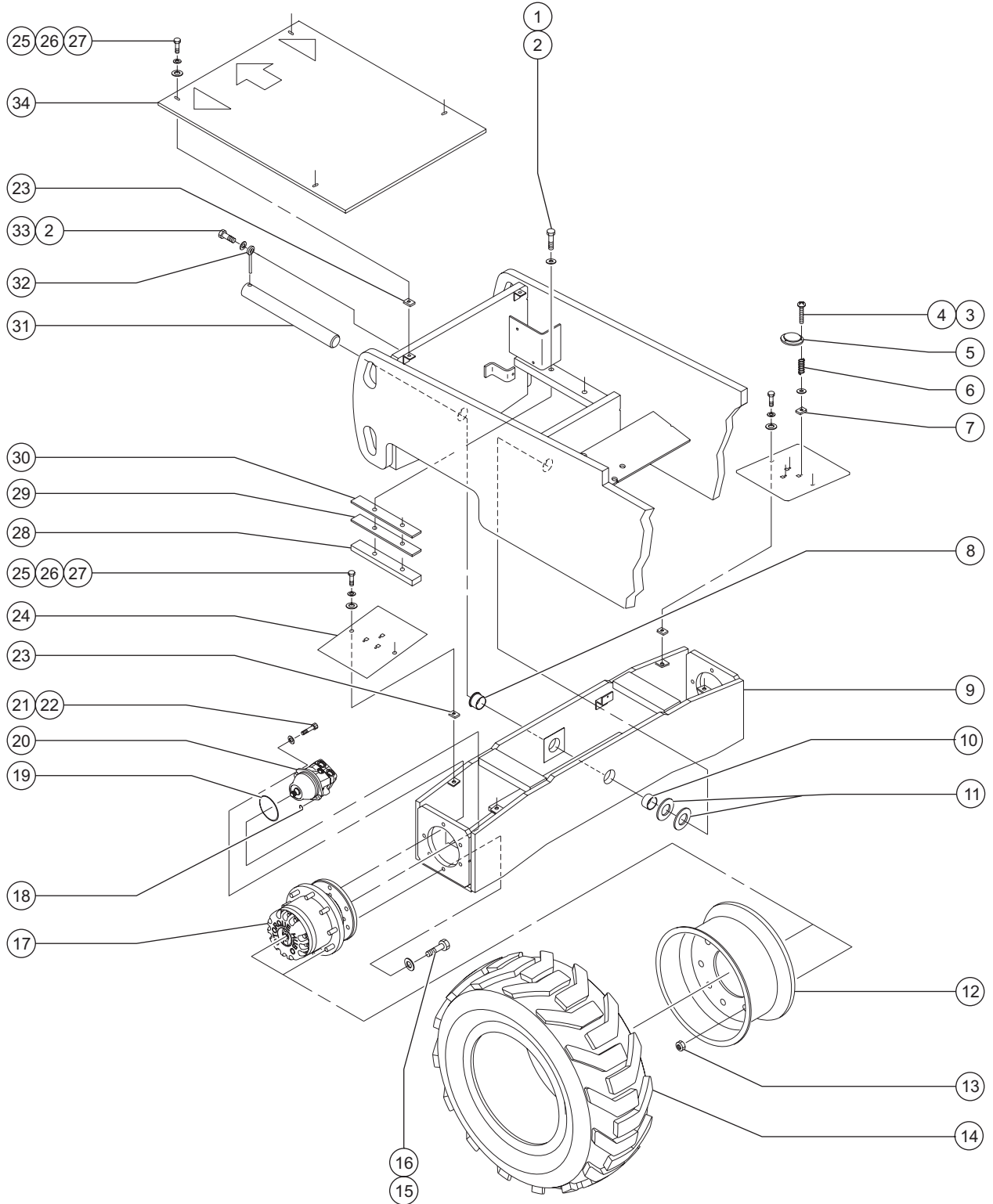
204.2
2WD Non-steer Axle (after serial number 7568) Rev B

Item	Part No.	Description	Qty.	Item	Part No.	Description	Qty.
1	6096	Screw - HHC, 1/2 -13 x 2 inches, GR 5		14	73204	Tire and Wheel Assembly - Non-marking, Right Side	1
2	6021	Lock Washer, 3/8 inch		—	73205	Tire and Wheel Assembly - Non-marking, Left Side	
3	73634	Screw - PHPM, 10-24 x 0.5 inch		—	111453	Tire and Wheel Assembly - Non-marking with Sealant, Right Side	
4	6146	Flat Washer, #10		—	111454	Tire and Wheel Assembly - Non-marking with Sealant, Left Side	
5	77026	Bubble Level (European models)	1	—	102802	Tire and Wheel Assembly - Non-marking, Foam-filled Right Side	
6	77027	Spring, 1 x 0.31 x 0.040 inch	3	—	102803	Tire and Wheel Assembly - Non-marking, Foam-filled Left Side	
7	73575	Spring Clip Nut, 10-24	3	15	73455	Screw - HHC, 5/8 -11 x 2.25 inches, GR 8	12
8	54156	Flanged Bearing, 1.5 x 1.75 x 1 inch	1	16	13064	Hardened Flat Washer, 5/8 inch	12
9	89802	Non-steer Axle Assembly (includes items 8 and 11)	1	17	101584	Drive Hub, 57:1	2
10	18396	Bearing, 1.5 x 1.75 x 1 inch	1	—	106119	Gearbox Seal Kit	
11	36603	Flat Washer, 1.56 x 3.5 x 0.057 inch .. as needed		—	106120	Wheel Stud	
12	73196	Wheel 16.5 x 9.75, 9 holes	2	—	58320	Drive Hub Cover	
13	54627	Lug Nut, 5/8 -18, 90°	18	—	106121	Disconnect Rod	
14	81489	Tire, 12-16.5, 8 Ply	2	—	106122	Disengage Cap	
—	73212	Tire, 12-16.5, 12 Ply, Non-marking		—	106123	End Cover O-ring	
14	81008	Tire and Wheel Assembly - Air-filled, Right Side	1	—	106124	Brake Lining Kit	
—	81009	Tire and Wheel Assembly - Air-filled, Left Side		—	106125	Brake Seal Kit	
—	111449	Tire and Wheel Assembly - Air-filled with Sealant, Right Side		—	106126	Bearing Kit	
—	111450	Tire and Wheel Assembly - Air-filled with Sealant, Left Side		18	106117	O-ring, Viton 2-010	2
—	81492	Tire and Wheel Assembly - Foam-filled, Right Side		19	106118	O-ring, Viton 2-158	2
—	81493	Tire and Wheel Assembly - Foam-filled, Left Side		20	101587	Drive Motor/brake (includes items 18 and 19)	2
				—	106098	Seal Kit	
				21	88296	Screw - HHC, 7/16 -14 x 1.25 inches, GR 5	
				22	106134	Hardened Flat Washer, 7/16 inch	4
				23	25969	Spring Clip Nut, 1/4 -20	8
				24	30802P	Non-steer Axle Cover	2
				25	6090	Screw - HHC, 1/4 -20 x 0.75 inch, GR 5	

This list continues on the next page.



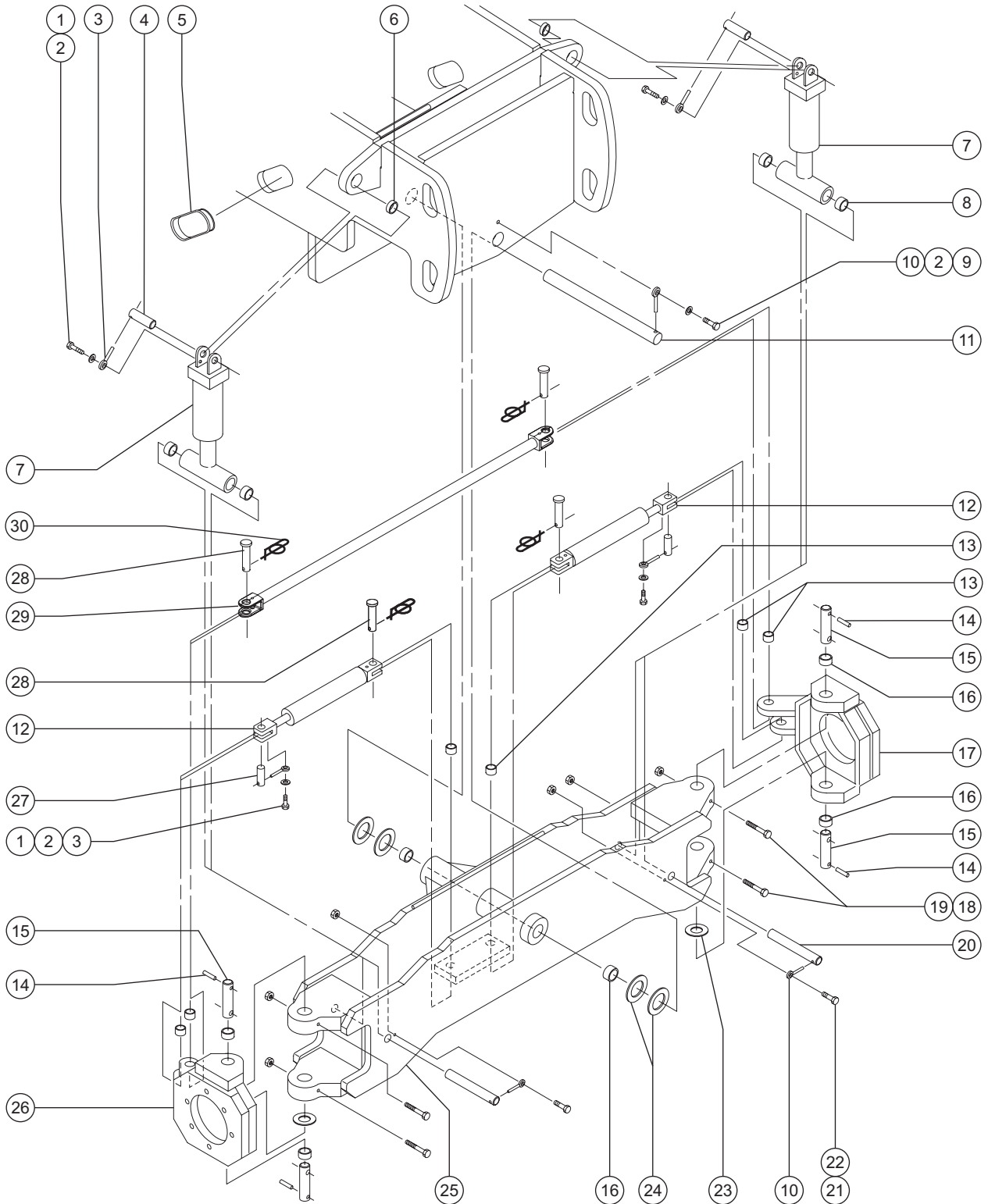
Figure 204.2 **Rev** B **Description** 2WD Non-steer Axle (after serial number 7568)



Item	Part No.	Description	Qty.
26	6356	Lock Washer, 1/4 inch	
27	6638	Flat Washer, 1/4 inch	
28	30690	Axle Rotation Stop Bar (oscillating models)	2
—	30691	Axle Rotation Stop Bar (non-oscillating models)	
29	30808	Axle Rotation Stop Shim, 9.5 x 1.5 x 0.108 inch	as needed
30	30809	Axle Rotation Stop Shim, 9.5 x 1.5 x 0.034 inch	as needed
31	30735	Pivot Pin, 17.5 x 1.5 inches	1
32	45226	Rod End, 0.375 x 3.69 inches	1
33	6175	Screw - HHC, 3/8 -16 x 1 inch, GR 5	
34	89803	Non-steer End Cover with Decals	1



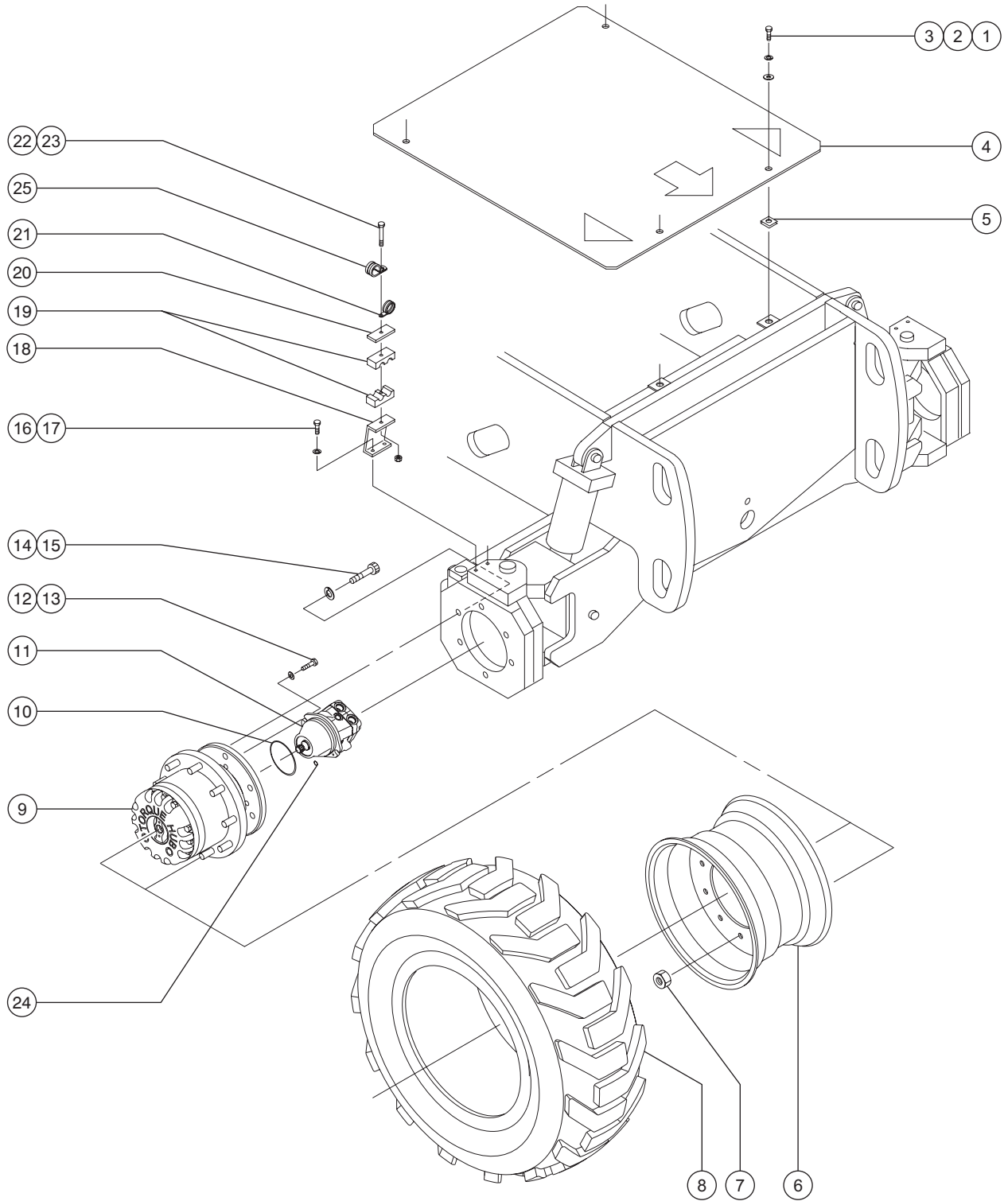
Figure 205.1
Rev B
Description 4WD Steer Axle Linkage



Item	Part No.	Description	Qty.	Item	Part No.	Description	Qty.
1	49857	Screw - HHC, 3/8 -16 x 0.88 inch, GR 5		24	36603	Flat Washer, 1.56 x 3.5 x 0.057 inch .. as needed	
2	6021	Lock Washer, 3/8 inch		25	102192-S	Steer Axle Assembly (includes items 13 and 16)	1
3	25284	Rod End, 0.375 x 2.25 inches	8	26	89805	Yoke Assembly - Right Side (includes items 13 and 16)	1
4	30737	Pivot Pin, 3 x 1.25 inches	2	27	30734	Pivot Pin, 2.88 x 1 inch	2
5	53386	Hose Protector Grommet	2	28	19440	Clevis Pin, 1 x 2.5 inches	2
6	30370	Bearing, 1.25 x 1.5 x 1 inch	2	29	63155	Tie Rod	1
7	89099	Oscillation Cylinder (includes item 8)	2	30	74389	Rue Ring, 1.25 x 15.13 inches	4
—	89100	Seal Kit					
—	31106	Counterbalance Valve, 3000 psi / 206.8 bar					
8	59266	Bearing, 1.25 x 1.5 x 0.75 inch	4				
9	6175	Screw - HHC, 3/8 -16 x 1 inch, GR 5					
10	45226	Rod End, 0.375 x 3.69 inches	3				
11	30735	Pivot Pin, 17.5 x 1.5 inches	1				
12	89065	Steer Cylinder	2				
—	89066	Seal Kit					
13	25817	Bearing, 1 x 1.25 x 1 inch	6				
14	14815	Roll Pin, 0.25 x 2.25 inches	4				
15	53081	Pivot Pin, 4.63 x 1.5 inches	4				
16	45071	Bearing, 1.5 x 1.75 x 1.5 inches ...	6				
17	89804	Yoke Assembly - Left Side (includes items 13 and 16)	1				
18	8220	Screw - HHC, 1/2 -13 x 4 inches, GR 5					
19	6086	Nylock Nut, 1/2 -13					
20	30190	Pivot Pin, 7.25 x 1.25 inches	2				
21	6708	Screw - HHC, 3/8 -16 x 2.25 inches, GR 5					
22	4828	Nylock Nut, 3/8 -16					
23	45074	Thrust Washer, 1.51 x 3.5 x 0.187 inch	2				



Figure 206.1 **Rev** C **Description** 4WD Steer Axle - Wheels and Hubs

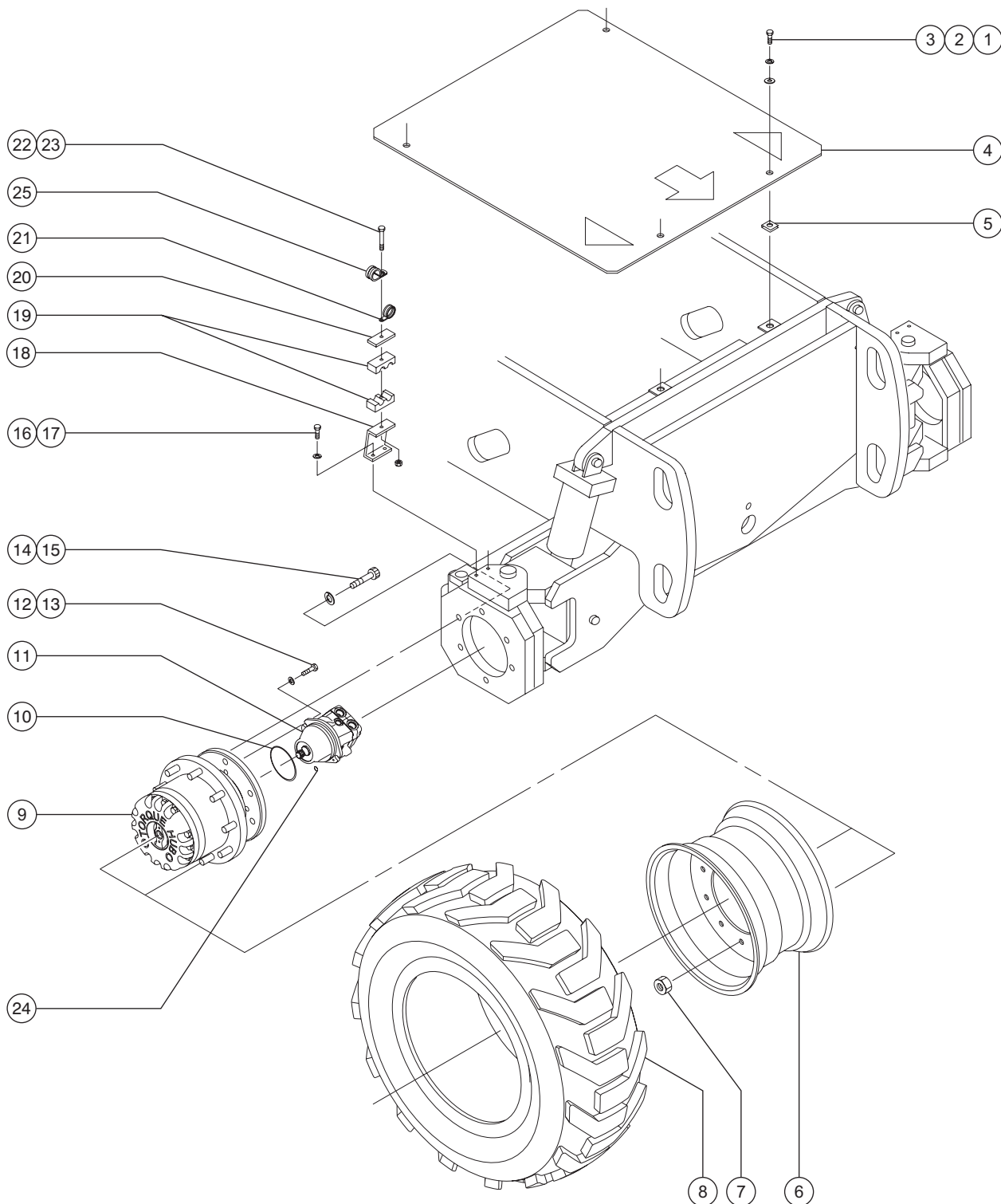


Item	Part No.	Description	Qty.	Item	Part No.	Description	Qty.
1	6090	Screw - HHC, 1/4 -20 x 0.75 inch, GR 5		8	73204	Tire and Wheel Assembly - Non-marking, Air-filled Right Side	1
2	6356	Lock Washer, 1/4 inch		—	73205	Tire and Wheel Assembly - Non-marking, Air-filled Left Side	
3	6638	Flat Washer, 1/4 inch		—	111453	Tire and Wheel Assembly - Non-marking, Air-filled with Sealant, Right Side	
4	102278	Steer End Cover	1	—	111454	Tire and Wheel Assembly - Non-marking, Air-filled with Sealant, Left Side	
5	25969	Spring Clip Nut, 1/4 -20		—	102802	Tire and Wheel Assembly - Non-marking, Foam-filled Right Side	
6	73196	Wheel 16.5 x 9.75, 9 hole	2	—	102803	Tire and Wheel Assembly - Non-marking, Foam-filled Left Side	
—	73492	Wheel 15 x 13, 9 hole		8	73490	Tire and Wheel Assembly - Wide Foam-filled, Right Side	2
—	73924	Wheel 19.5 x 14, 9 hole		—	73491	Tire and Wheel Assembly - Wide Foam-filled, Left Side	
7	54627	Lug Nut, 5/8 -18, 90°	18	8	73923	Tire and Wheel Assembly - High-flotation	2
8	81489	Tire, 12 -16.5, 8 Ply	2	9	45553	Drive Hub, 18:1 (before serial number 7569)	2
—	73212	Tire, 12 -16.5, 12 Ply, Non-marking		—	21142	Seal Kit	
—	73925	Tire, 33 -16LL 500, 10 Ply, Sand Tire, High Flotation		—	21149	Wheel Stud	
—	73493	Tire, 31-15.50 -15, 8Ply, Wide		—	21143	Bearing and Race Kit	
8	81008	Tire and Wheel Assembly - Air-filled, Right Side	1	—	21147	End Cover	
—	81009	Tire and Wheel Assembly - Air-filled, Left Side		—	37097	O-ring (included in seal kit part number 21142)	
—	111449	Tire and Wheel Assembly - Air-filled with Sealant, Right Side		—	21148	Thrust Washer	
—	111450	Tire and Wheel Assembly - Air-filled with Sealant, Left Side		—	21146	Cap Cover	
—	81492	Tire and Wheel Assembly - Foam-filled, Right Side		—	72283	End Cover, (domed)	
—	81493	Tire and Wheel Assembly - Foam-filled, Left Side		—	21144	Disconnect Rod Actuator	
				—	21145	Disconnect Rod	
				—	101584	Drive Hub, 57:1 (after serial number 7568)	2
				—	106119	Gearbox Seal Kit	
				—	106120	Wheel Stud	
				—	106121	Disconnect Rod	
				—	106122	Disengage Cap	
				—	106123	End Cover O-ring	
				—	106124	Brake Lining Kit	
				—	106125	Brake Seal Kit	
				—	106126	Bearing Kit	

This list continues on the next page.



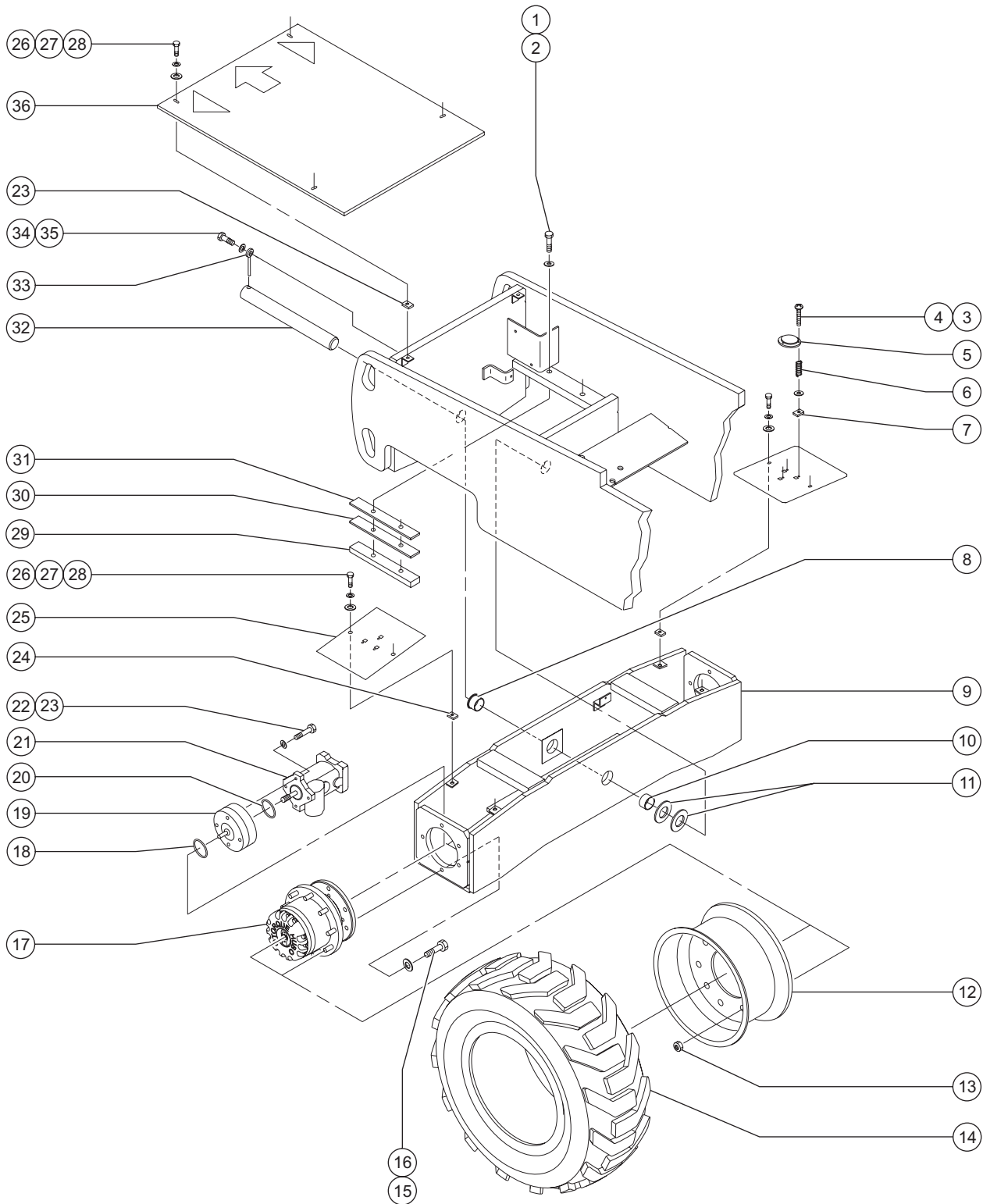
Figure 206.1 **Rev** C **Description** 4WD Steer Axle - Wheels and Hubs



Item	Part No.	Description	Qty.	Item	Part No.	Description	Qty.
10	41252	O-ring, (before serial number 7569)	2	22	18505	Flange Screw, 5/16 -18 x 2.25 inches	
—	106118	O-ring, Viton 2-158 (after serial number 7568)		23	6002	Nylock Nut, 5/16 -18	
11	33432	Drive Motor (before serial number 7569) (includes item 10)	2	24	106117	O-ring, Viton 2-010	2
—	32675	Seal Kit		25	60838	Rubber Cushioned Clamp, 1 inch	2
—	101586	Drive Motor, 25cc (after serial number 7568) (includes items 10 and 24)					
—	106098	Seal Kit					
12	8177	Screw - HHC, 1/2 -13 x 1.5 inches, GR 5 (before serial number 7569)					
—	88296	Screw - HHC, 7/16 -14 x 1.25 inches, GR 5 (after serial number 7568)					
13	13066	Hardened Flat Washer, 1/2 inch (before serial number 7569)	4				
—	106134	Hardened Flat Washer, 7/16 inch (after serial number 7568)					
14	13004	Screw - HHC, 5/8 -11 x 3 inches, GR 8 (before serial number 7569)	12				
—	29883	Screw - HHC, 5/8 -11 x 1.75 inches, GR 8 (after serial number 7568)					
15	56911	Flat Washer, 0.688 x 1.16 x 0.09 inch (before serial number 7569)	12				
—	13064	Hardened Flat Washer, 5/8 inch (after serial number 7568)					
16	8255	Screw - HHC, 3/8 -16 x 0.75 inch, GR 5					
17	6021	Lock Washer, 3/8 inch					
18	30889P	Hose Mount Bracket	2				
19	36858	Dual Hose Clamp (pair)	2				
20	36859	Top Plate Clamp	2				
21	45454	Rubber Cushioned Clamp, 3/4 inch	2				



Figure 207.1 **Rev** E **Description** 4WD Non-steer Axle (before serial number 7569)

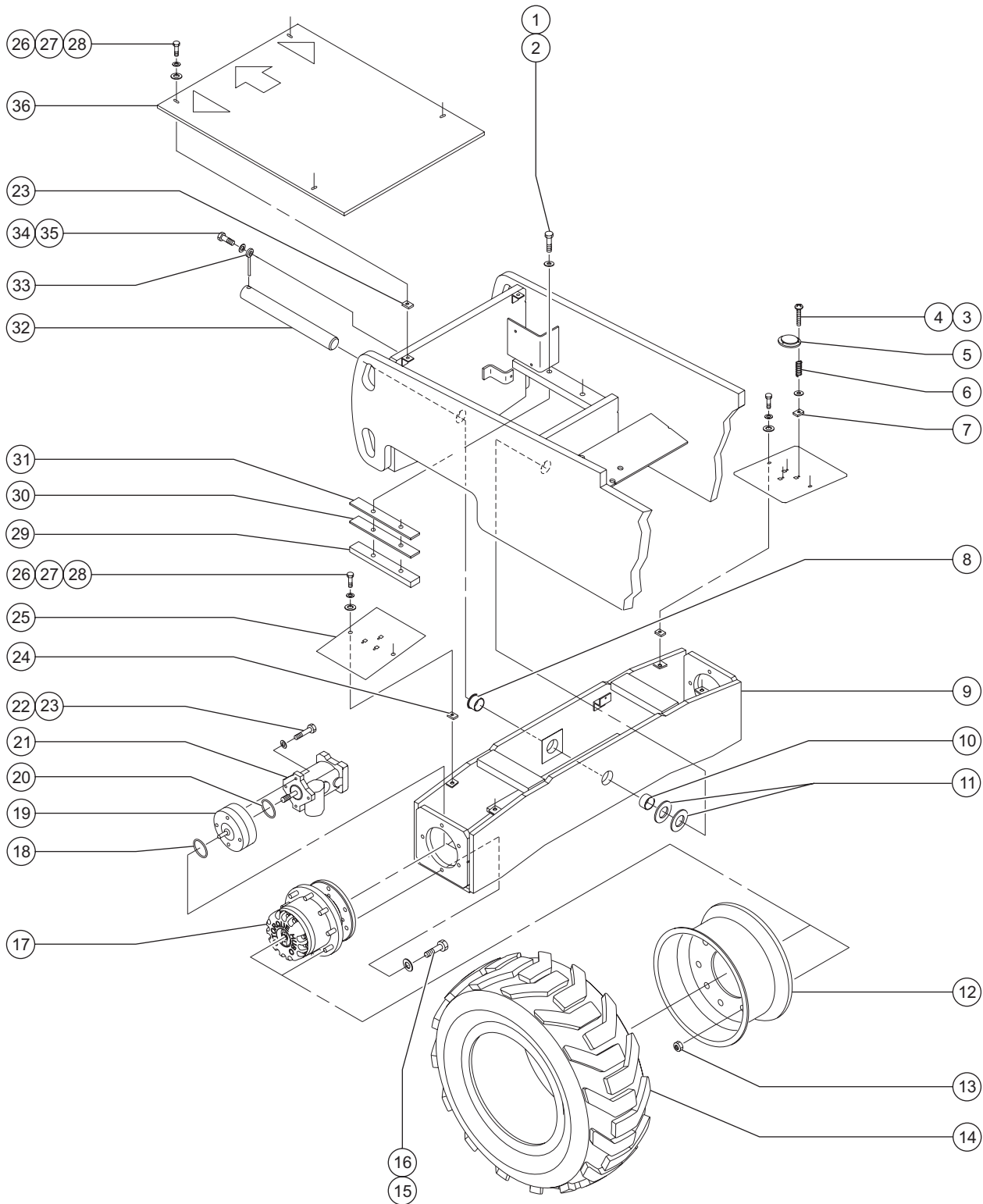


207.1
4WD Non-steer Axle (before serial number 7569) Rev E

Item	Part No.	Description	Qty.	Item	Part No.	Description	Qty.
1	6096	Screw - HHC, 1/2 -13 x 2 inches, GR 5		14	73204	Tire and Wheel Assembly - Air-filled, Non-marking, Right Side	1
2	6021	Lock Washer, 3/8 inch		—	73205	Tire and Wheel Assembly - Air-filled, Non-marking, Left Side	
3	73634	Screw - PHPM, 10-24 x 0.5 inch	3	—	111453	Tire and Wheel Assembly - Air-filled with Sealant, Non-marking, Right Side	
4	6146	Flat Washer, #10		—	111454	Tire and Wheel Assembly - Air-filled with Sealant, Non-marking, Left Side	
5	77026	Bubble Level (European models)	1	—	102802	Tire and Wheel Assembly - Non-marking, Foam-filled Right Side	
6	77027	Spring	3	—	102803	Tire and Wheel Assembly - Non-marking, Foam-filled Left Side	
7	73575	Spring Clip Nut, 10 -24	3	14	73923	Tire and Wheel Assembly - High-flotation	2
8	54156	Flanged Bearing, 1.5 x 1.75 x 1 inch	1	14	73490	Tire and Wheel Assembly - Wide Foam-filled, Right Side	2
9	89802	Non-steer Axle Assembly (includes items 10 and 36)	1	—	73491	Tire and Wheel Assembly - Wide Foam-filled, Left Side	
10	18396	Bearing, 1.5 x 1.75 x 1 inch	1	15	13004	Screw - HHC, 5/8 -11 x 3 inches, GR 8	12
11	36603	Flat Shim Washer, 1.56 x 3.5 x 0.057 inch	as needed	16	56911	Flat Washer, 0.688 x 1.16 x 0.09 inch	
12	73196	Wheel 16.5 x 9.75, 9 hole	2	17	20451	Drive Hub, 35:1	2
—	73492	Wheel 15 x 13, 9 hole		—	21142	Seal Kit	
—	73924	Wheel 19.5 x 14, 9 hole		—	21149	Wheel Stud, 5/8 -18	
13	54627	Lug Nut, 5/8 -18, 90°	18	—	21143	Bearing and Race Kit	
14	81489	Tire, 12 -16.5, 8 Ply	2	—	21147	End Cover	
—	73212	Tire, 12 -16.5, 12 Ply, Non-marking		—	37097	Drive Hub End Cover O-ring (included in seal kit part number 21142)	
—	73925	Tire, 33 -16LL 500, 10 Ply, Sand Tire, High Flotation		—	21148	Washer	
—	73493	Tire, 31-15.50 -15, 8 Ply, Wide		—	21146	Cap Cover	
14	81008	Tire and Wheel Assembly - Air-filled, Right Side	1	—	21144	Disconnect Rod Actuator	
—	81009	Tire and Wheel Assembly - Air-filled, Left Side		—	21145	Disconnect Rod	
—	111449	Tire and Wheel Assembly - Air-filled with Sealant, Right Side		—	72283	End Cover (Domed)	
—	111450	Tire and Wheel Assembly - Air-filled with Sealant, Left Side		—	58285	Spindle, Torque Hub	
—	81492	Tire and Wheel Assembly - Foam-filled, Right Side		18	41252	O-ring	2
—	81493	Tire and Wheel Assembly - Foam-filled, Left Side		This list continues on the next page.			



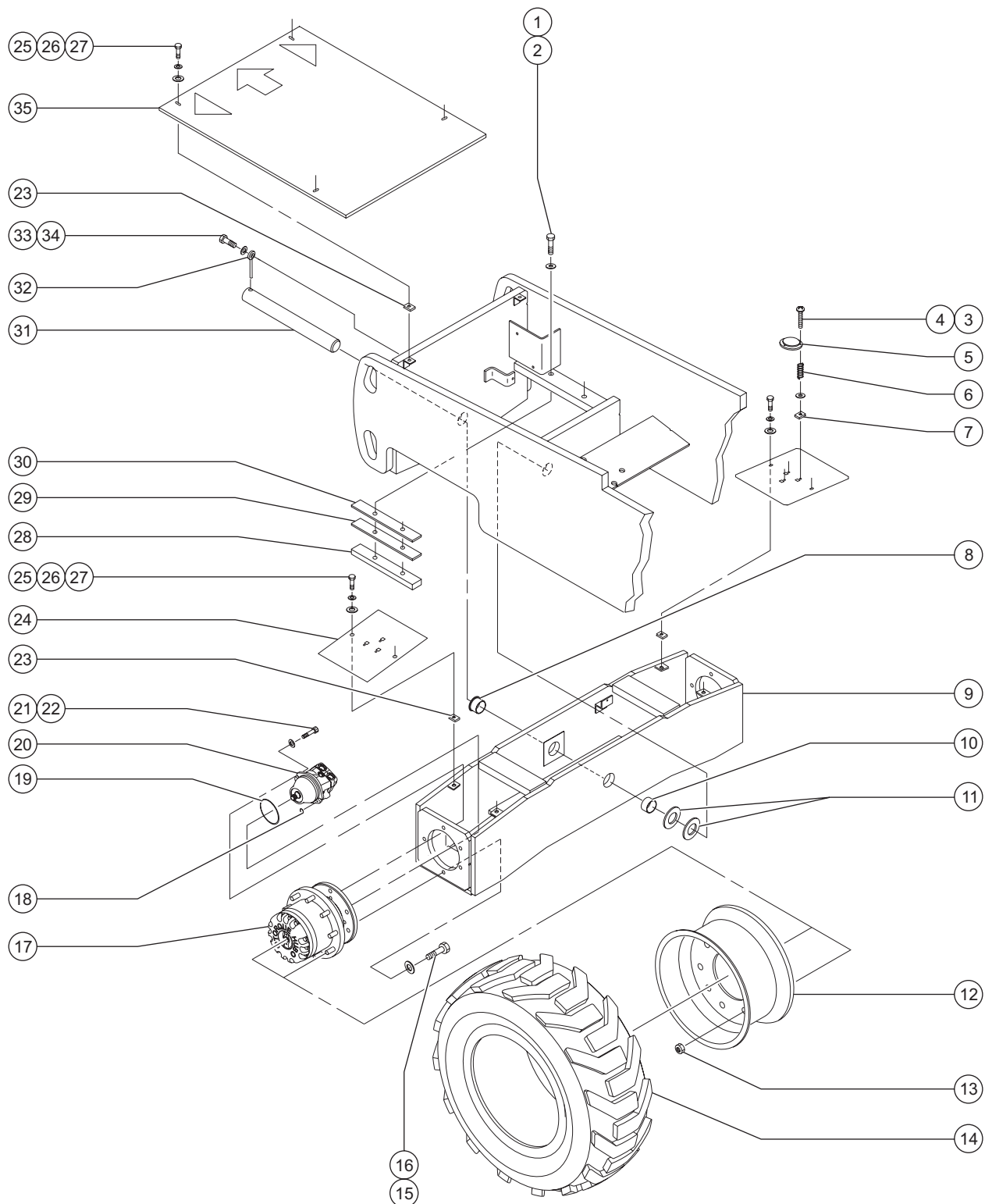
Figure 207.1 **Rev** E **Description** 4WD Non-steer Axle (before serial number 7569)



Item	Part No.	Description	Qty.
19	73897	Ausco Brake (includes item 18)	2
—	77240	Seal Kit	
—	77239	Lining Kit	
—	65608	Bearing Kit	
20	22811	O-ring	2
21	41398	Drive Motor (includes item 19)	2
—	32680	Seal Kit	
22	73858	Screw - SHC, 1/2 -13 x 5 inches, GR 5	
23	13066	Hardened Flat Washer, 1/2 inch	4
24	25969	Spring Clip Nut, 1/4 -20	8
25	30802-S	Non-steer Axle Cover	2
26	6090	Screw - HHC, 1/4 -20 x 0.75 inch, GR 5	
27	6356	Lock Washer, 1/4 inch	
28	6638	Flat Washer, 1/4 inch	
29	30690	Axle Rotation Stop Bar (oscillating models)	2
—	30691	Axle Rotation Stop Bar (non-oscillating models)	
30	30808	Axle Rotation Stop Shim, 9.5 x 1.5 x 0.108 inch	as needed
31	30809	Axle Rotation Stop Shim, 9.5 x 1.5 x 0.034 inch	as needed
32	30735	Axle Pivot Pin, 17.5 x 1.5 inches	1
33	45226	Rod End, 0.375 x 3.69 inches	1
34	6175	Screw - HHC, 3/8 -16 x 1 inch, GR 5	
35	6021	Lock Washer, 3/8 inch	
36	89803	Non-steer End Cover with Decals	1



Figure 207.2 **Rev** B **Description** 4WD Non-steer Axle (after serial number 7568)



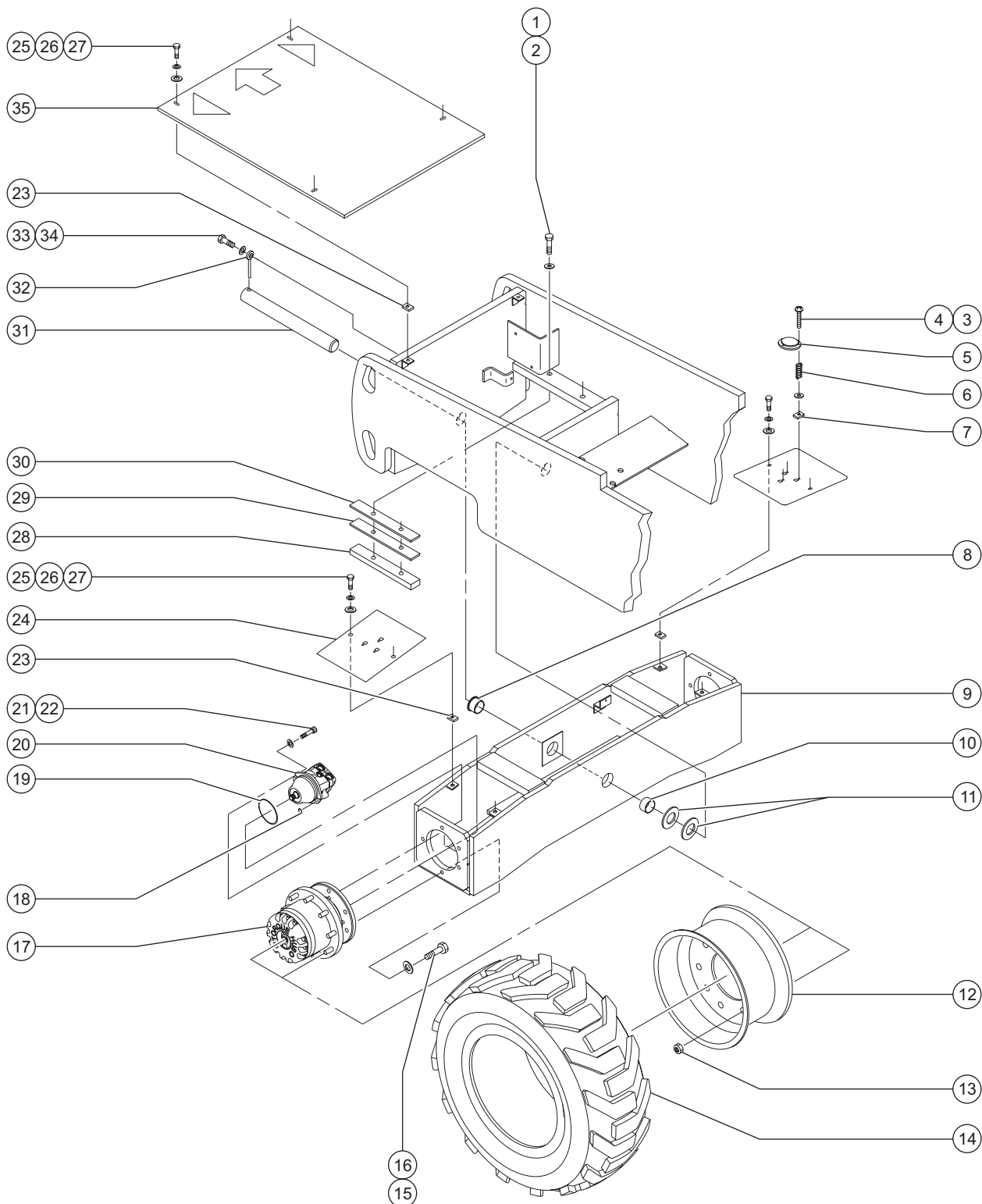
207.2
4WD Non-steer Axle (after serial number 7568) Rev B

Item	Part No.	Description	Qty.	Item	Part No.	Description	Qty.
1	6096	Screw - HHC, 1/2 -13 x 2 inches, GR 5		14	81489	Tire, 12 -16.5, 8 Ply	2
				—	73212	Tire, 12 -16.5, 12 Ply, Non-marking	
2	6021	Lock Washer, 3/8 inch		—	73925	Tire, 33 -16LL 500, 10 Ply, Sand Tire, High-Flotation	
3	73634	Screw - PHPM, 10-24 x 0.5 inch		14	81008	Tire and Wheel Assembly - Air-filled, Right Side	1
4	6146	Flat Washer, #10		—	81009	Tire and Wheel Assembly - Air-filled, Left Side	
5	77026	Bubble Level (European models)	1	—	111449	Tire and Wheel Assembly - Air-filled with Sealant, Right Side	
6	77027	Spring	3	—	111450	Tire and Wheel Assembly - Air-filled with Sealant, Left Side	
7	73575	Spring Clip Nut, 10-24	3	—	81492	Tire and Wheel Assembly - Foam-filled, Right Side	
8	54156	Flanged Bearing, 1.5 x 1.75 x 1 inch	1	—	81493	Tire and Wheel Assembly - Foam-filled, Left Side	
9	89802	Non-steer Axle Assembly (includes items 8 and 17)	1	14	73204	Tire and Wheel Assembly - Air-filled, Non-marking, Right Side	1
10	18396	Bearing, 1.5 x 1.75 x 1 inch	1	—	73205	Tire and Wheel Assembly - Air-filled, Non-marking, Left Side	
11	36603	Flat Washer, 1.56 x 3.5 x 0.057 inch	as needed	—	111453	Tire and Wheel Assembly - Air-filled with Sealant, Non-marking, Right Side	
12	73196	Wheel 16.5 x 9.75, 9 hole	2	—	111454	Tire and Wheel Assembly - Air-filled with Sealant, Non-marking, Left Side	
—	73492	Wheel 15 x 13, 9 hole		—	102802	Tire and Wheel Assembly - Non-marking, Foam-filled Right Side	
—	73924	Wheel 19.5 x 14, 9 hole		—	102803	Tire and Wheel Assembly - Non-marking, Foam-filled Left Side	
13	54627	Lug Nut, 5/8 -18, 90°	18	14	73923	Tire and Wheel Assembly - High-flotation	2
				14	73490	Tire and Wheel Assembly - Wide Foam-filled, Right Side	1
				—	73491	Tire and Wheel Assembly - Wide Foam-filled, Left Side	

This list continues on the next page.



Figure 207.2 **Rev** B **Description** 4WD Non-steer Axle (after serial number 7568)

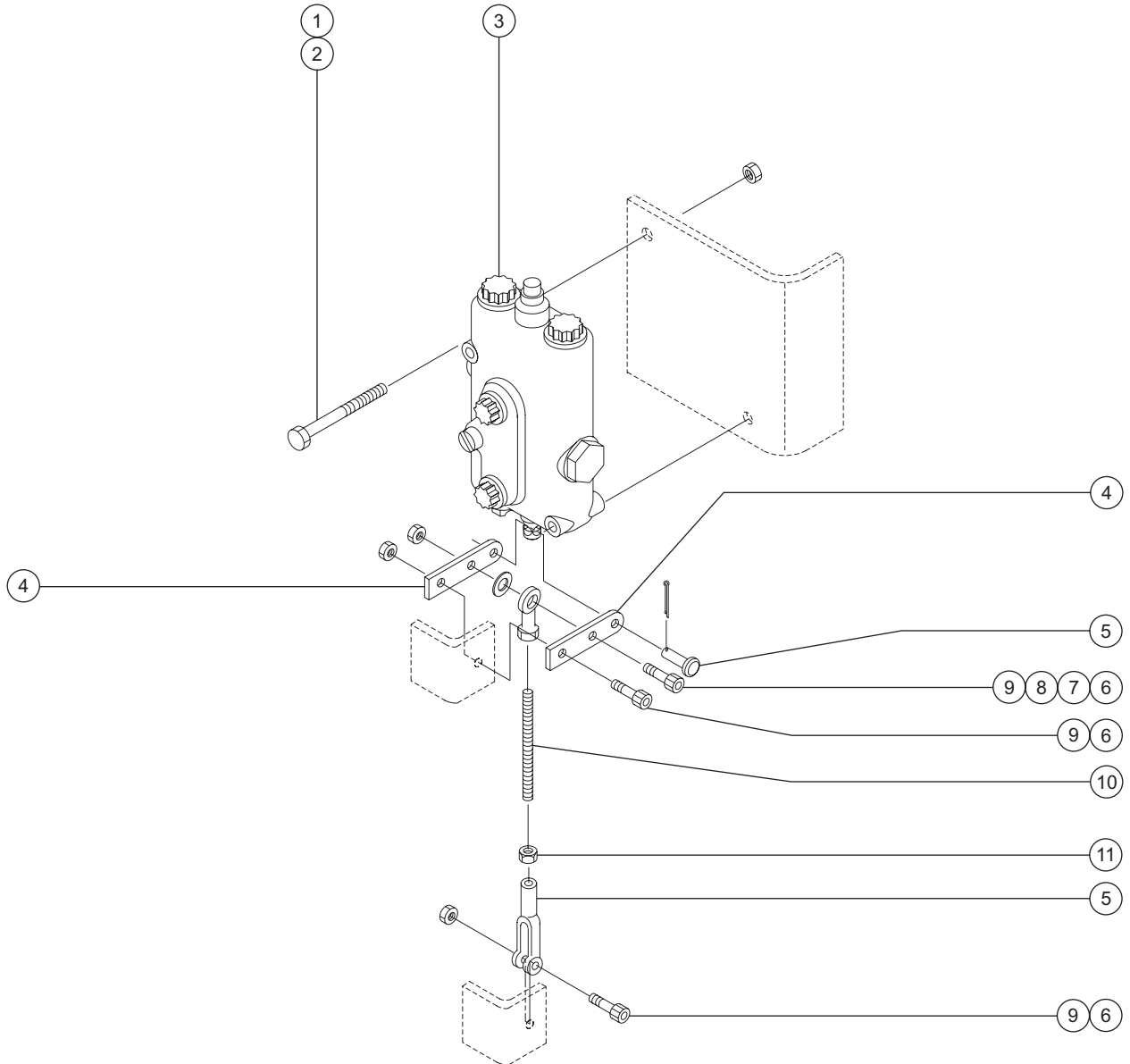


207.2
4WD Non-steer Axle (after serial number 7568) Rev B

Item	Part No.	Description	Qty.	Item	Part No.	Description	Qty.
15	73455	Screw - HHC, 5/8 -11 x 2.25 inches, GR 8	12	34	6021	Lock Washer, 3/8 inch	
16	13064	Hardened Flat Washer, 5/8 inch	12	35	89803	Non-steer End Cover with Decals	1
17	101584	Drive Hub, 57:1	2				
—	106119	Gearbox Seal Kit					
—	106120	Wheel Stud					
—	106121	Disconnect Rod					
—	106122	Disengage Cap					
—	106123	End Cover O-ring					
—	106124	Brake Lining Kit					
—	106125	Brake Seal Kit					
—	106126	Bearing Kit					
18	106117	O-ring, Viton 2-010	2				
19	106118	O-ring, Viton 2-158	2				
20	101587	Drive Motor, LC30cc (includes items 18 and 19)	2				
—	106098	Seal Kit					
21	88296	Screw - HHC, 7/16 -14x 1.25 inches, GR 5					
22	106134	Hardened Flat Washer, 7/16 inch	4				
23	25969	Spring Clip, 1/4 -20	8				
24	30802P	Non-steer Axle Cover	2				
25	6090	Screw - HHC, 1/4 -20 x 0.75 inch, GR 5					
26	6356	Lock Washer, 1/4 inch					
27	6638	Flat Washer, 1/4 inch					
28	30690	Axle Rotation Stop Bar (oscillating models)	2				
—	30691	Axle Rotation Stop Bar (non-oscillating models)					
29	30808	Axle Rotation Stop Shim, 9.5 x 1.5 x 0.108 inch	as needed				
30	30809	Axle Rotation Stop Shim, 9.5 x 1.5 x 0.034 inch	as needed				
31	30735	Pivot Pin, 17.5 x 1.5 inches	1				
32	45226	Rod End, 0.375 x 3.69 inches	1				
33	6175	Screw - HHC, 3/8 -16 x 1 inch, GR 5					



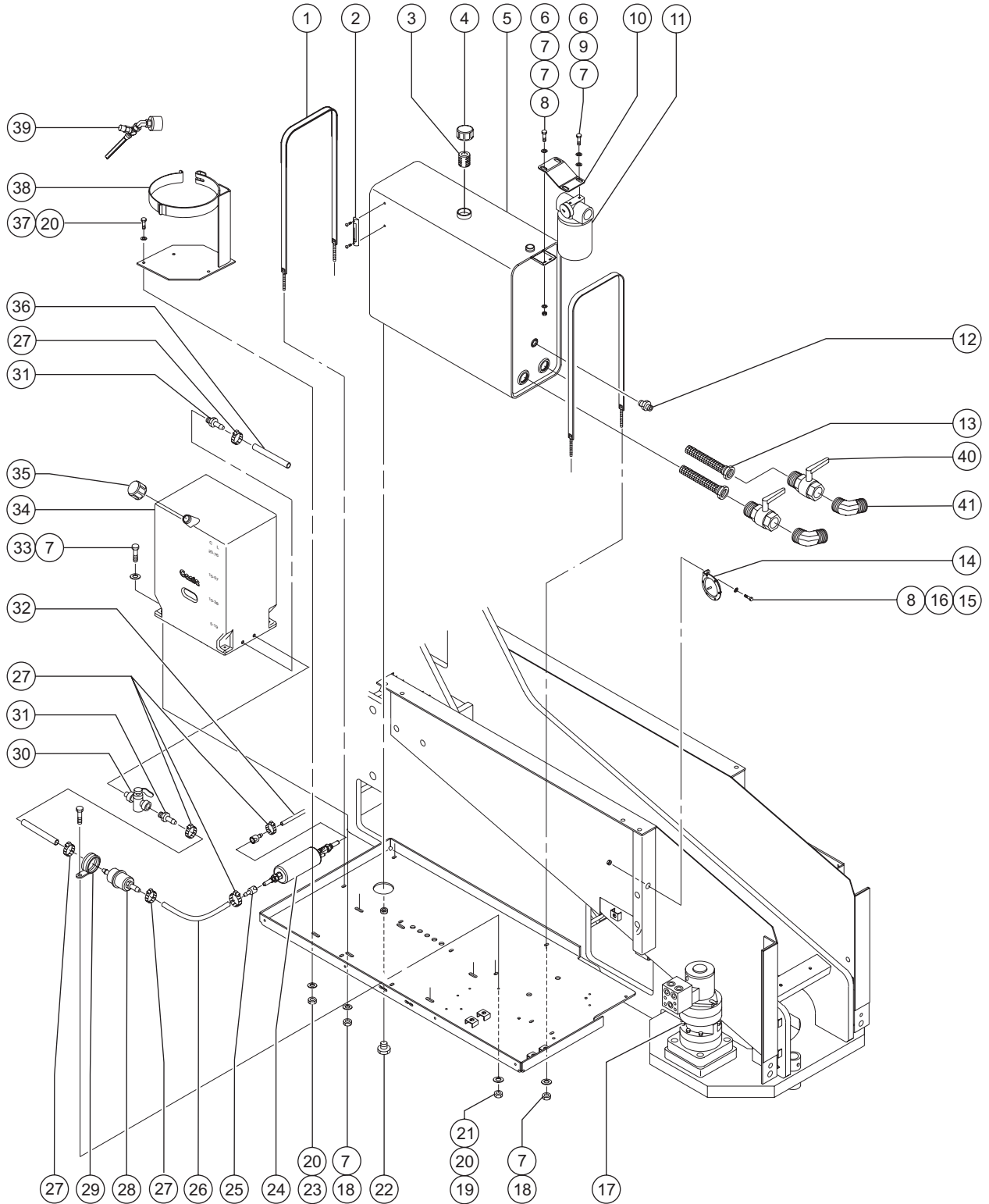
Figure 208.1 **Rev** B **Description** Oscillation Control Valve



Item	Part No.	Description	Qty.
—	49613	Plug and Cap Kit (for ORFS fittings)	
—	49612	O-ring Kit (for ORFS fittings)	
1	4266	Screw - HHC, 1/4 -20 x 2 inches	
2	6091	Nylock Nut, 1/4 -20	
3	81552	Manual Control Valve, 950 psi / 65.5 bar	1
—	32681	Seal Kit	
4	30884	Oscillate Valve Linkage	2
5	21130	Clevis Yoke, 1/4 -28 (includes clevis pin and cotter pin)	1
6	6584	Shoulder Bolt, 1/4 x 0.625 inch	
7	81691	Linkage Rod, 1/4 -28	1
8	20980	Nylon Flat Washer, 0.257 x 0.437 x 0.047 inch	
9	6178	Nylock Nut, 10-32	
10	30785-275	Threaded Rod, 1/4 -28 x 2.75 inches	1
11	21496	Hex Nut, 1/4 -28	



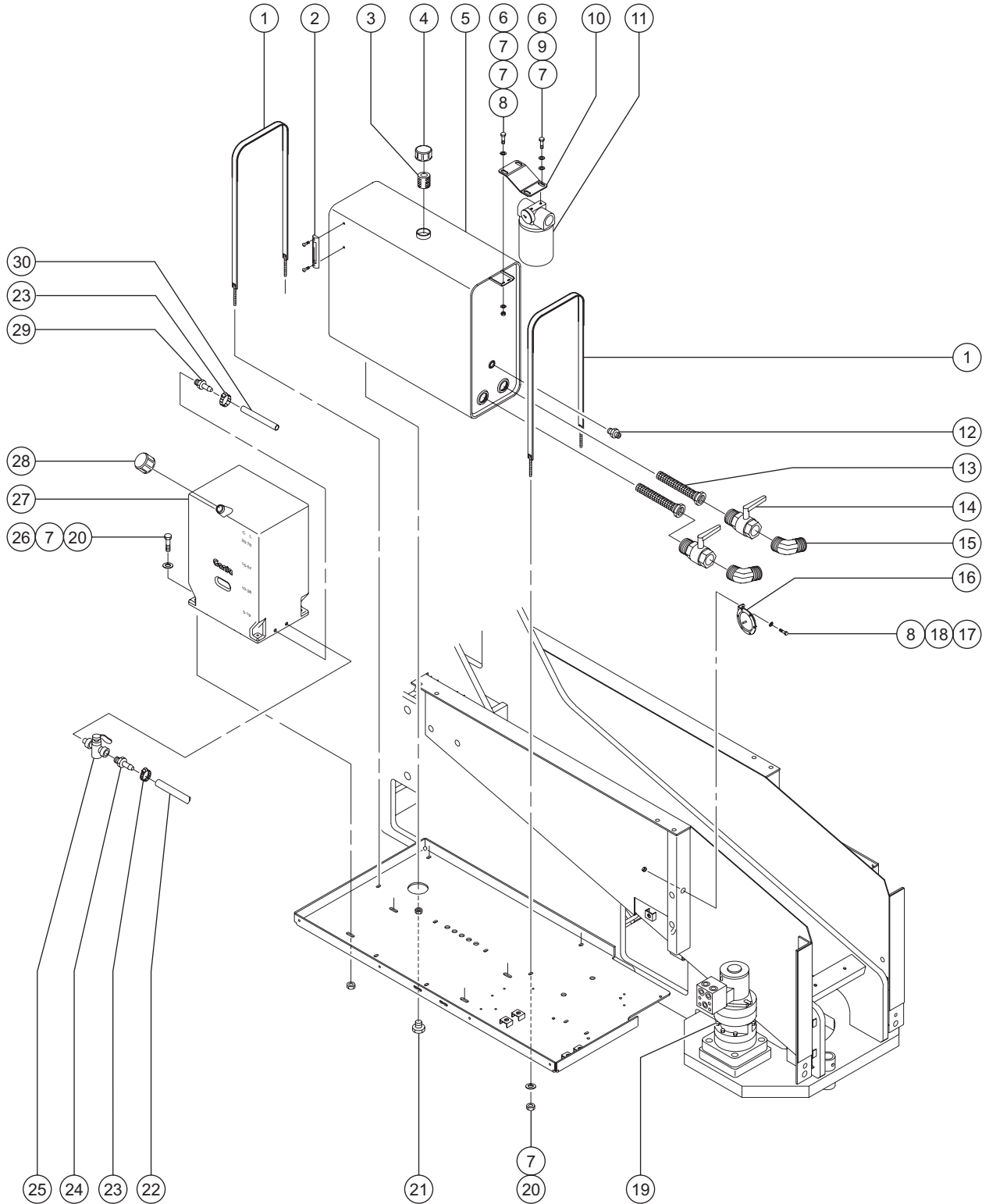
Figure 301.1 **Rev D** **Description**
 Hydraulic and Fuel Tanks - Gasoline/LPG



Item	Part No.	Description	Qty.	Item	Part No.	Description	Qty.
1	31524	Tank Strap Assembly	2	25	65892	Connector	2
—	31658	Rubber Strip, 24 inches		26	27089	Fuel Line, 5/16 inch	12 inches
2	21141	Fluid Level Indicator (includes mounting fasteners)	1	27	21465	Hose Clamp, 1/2 inch	6
3	31506	Filler Neck Strainer	1	28	52179	Fuel Pre-filter	1
4	53527	Breather/Filler Cap, 3 Micron	1	29	45455	Hose Clamp, 2.75 inches	1
5	89071	Hydraulic Tank Assembly, 45 gallons / 170.3 liters (includes items 2-4, 13 and 22)	1	30	19487	Manual Fuel Shut-off Valve	1
6	10107	Screw - HHC, 5/16 -18 x 0.75 inch, GR 5		31	53023	Fitting, 5/16 inch Barb x 1/4 inch MPT	2
7	5397	Flat Washer, 5/16 inch		32	71909	Fuel Line, 5/16 inch High Pressure	53 inches (before serial number 7597)
8	6782	Nylock Nut, 5/16 -18		—	71909	Fuel Line, 5/16 inch High Pressure	48 inches (after serial number 7596)
9	6886	Lock Washer, 5/16 inch		33	8178	Screw - HHC, 3/8 -16 x 2.5 inches, GR 5	
10	60936P	Return Filter Bracket	1	34	46999	Fuel Tank Assembly, with Decals 30 gallons (113.6 liters) (before serial number 7401)	1
11	60508	Hydraulic Return Filter Assembly with Indicator	1	—	65610-S	Fuel Tank Assembly, with Decals 20 gallons (75.7 liters) (after serial number 7400)	
—	61326	Return Filter Element, 10 Micron		35	101727	Red Anti-surge Vented Cap	1
—	816541	Return Filter Element, 3 Micron		36	27089	Fuel Line, 5/16 inch	80 inches (before serial number 7597)
12	48922	Connector, 6 ORFS x 6 NPTF	1	—	27089	Fuel Line, 5/16 inch	57 inches (after serial number 7596)
13	45161	Strainer Assembly, 1.5 inches NPT	2	37	6019	Screw - HHC, 3/8 -16 x 1.25 inches, GR 5	
14	81578	Horn 12V DC	1	38	53120-S	LPG Tank Mount (before serial number 7401)	1
15	13002	Screw - HHC, 5/16 -18 x 1 inch, GR 5		—	102342	LPG Tank Mount (refer to 808.1) (after serial number 7400)	
16	6638	Flat Washer, 1/4 inch		39	25967	LPG Hose Assembly (before serial number 7401)	1
17	Ref.	Turntable Rotator (refer to 304.1)		—	30275	LPG Hose Assembly (after serial number 7400)	
18	4828	Nylock Nut, 3/8 -16		40	48994	Ball Valve, 16 MPT x 16 FPT	2
19	6002	Nylock Nut, 5/16 -18		41	89403	Elbow, 45°, 16 MPT x 16 ORFS ...	2
20	6097	Flat Washer, 3/8 inch					
21	13002	Screw - HHC, 5/16 -18 x 1 inch, GR 5					
22	31507	Magnetic Square Head Plug, 3/4 MPT	1				
23	7713	Nylock Nut, 3/8 -16					
24	77219	Fuel Pump	1				
—	77181	Rubber Cushioned Clamp					



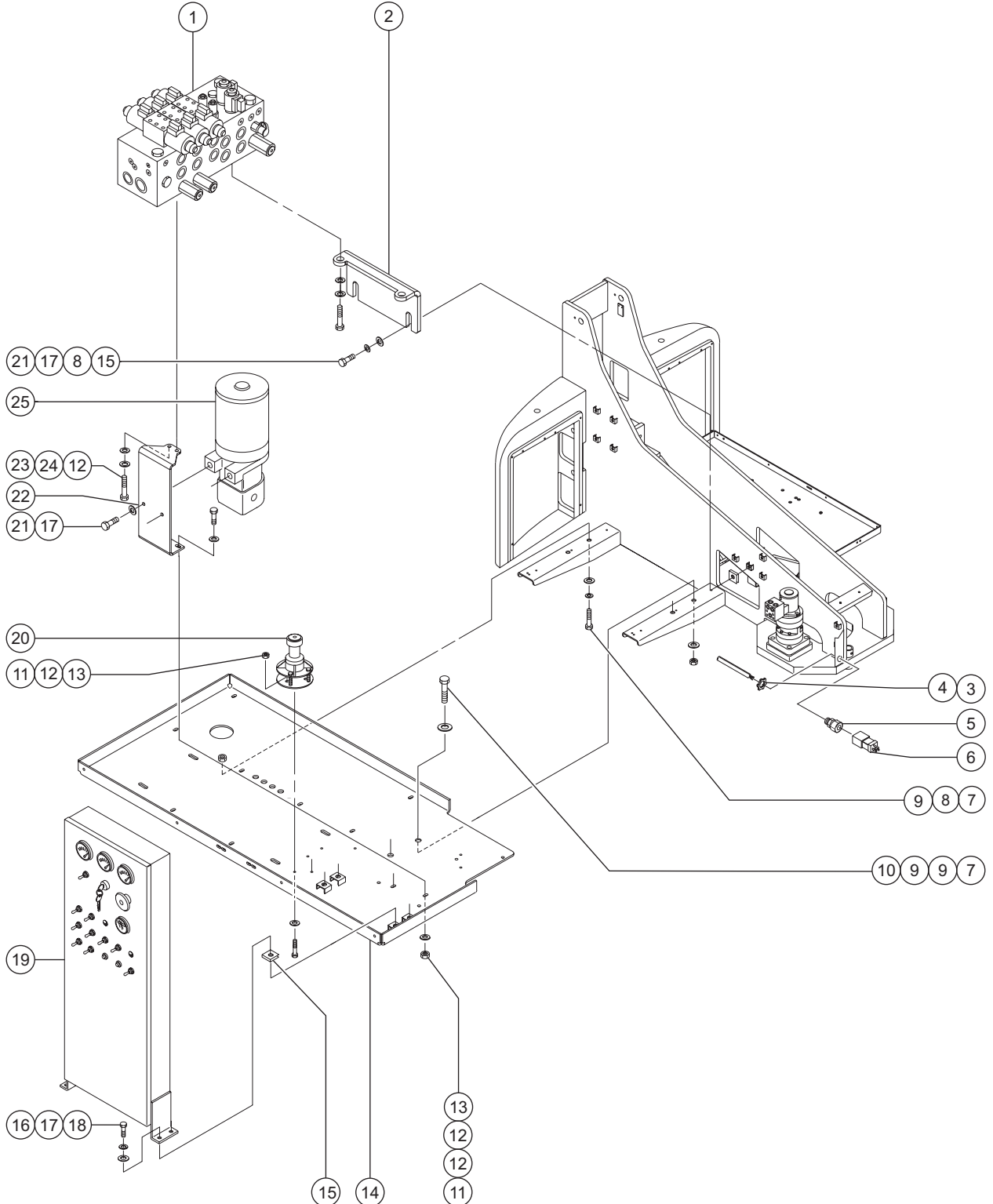
Figure 302.1 **Rev** E **Description** Hydraulic and Fuel Tanks - Diesel



Item	Part No.	Description	Qty.	Item	Part No.	Description	Qty.
1	31524	Tank Strap with Rubber, 66 inches	2	22	27089	Fuel Line, 5/16 inch (Perkins 704-30 and Deutz F3L 1011)	96 inches
—	31658	Rubber Strip, 24 inches				(Deutz F3L 2011) (before serial number 10833)	81 inches
2	21141	Fluid Level Indicator (includes mounting fasteners)	1			(Deutz F3L 2011) (after serial number 10832)	97 inches
3	31506	Filler Neck Strainer	1			(Perkins 404-22)	78 inches
4	53527	Breather/Filler Cap, 3 Micron	1	23	21465	Hose Clamp, 1/2 inch	2
5	89071	Hydraulic Tank Assembly, 45 gallons / 170.3 liters (includes items 2-4, 13 and 21)	1	24	53023	Fitting, 5/16 inch Barb x 1/4 inch MPT	1
6	10107	Screw - HHC, 5/16 -18 x 0.75 inch, GR 5		25	19487	Manual Fuel Shut-off Valve	1
7	5397	Flat Washer, 5/16 inch		26	8178	Screw - HHC, 3/8 -16 x 2.5 inches, GR 5	
8	6782	Nylock Nut, 5/16 -18		27	46999	Fuel Tank Assembly with Decals 30 gallons (113.6 liters) (before serial number 7401)	1
9	6886	Lock Washer, 5/16 inch		—	65611-S	Fuel Tank Assembly with Decals 20 gallons (75.7 liters) (after serial number 7400)	
10	60936P	Return Filter Bracket	1	28	101726	Anti-surge Vented Cap, Green	1
11	60508	Hydraulic Return Filter Assembly with Indicator	1	29	29137	Fitting, 1/4 inch x 1/4 inch MPT	1
—	61326	Return Filter Element, 10 Micron		30	30490	Fuel Line, 1/4 inch (Perkins 704-30)	97 inches
—	816541	Return Filter Element, 3 Micron		—	35418	(Deutz F3L 1011)	97 inches
12	48922	Connector, 6 ORFS x 6 NPTF	1			(Deutz F3L 2011)	53 inches
13	45161	Strainer Assembly, 1.5 inches NPT	2			Fuel Line, 3/16 inch (Perkins 404-22)	88 inches
14	48994	Ball Valve, 16 MPT x 16 FPT	2				
15	89403	Elbow, 45°, 16 MPT x 16 ORFS ...	2				
16	81578	Horn 12V DC	1				
17	13002	Screw - HHC, 5/16 -18 x 1 inch, GR 5					
18	6638	Flat Washer, 1/4 inch					
19	Ref.	Turntable Rotator (refer to 305.1)					
20	4828	Nylock Nut, 3/8 -16					
21	31507	Magnetic Square Head Plug, 3/4 MPT	1				



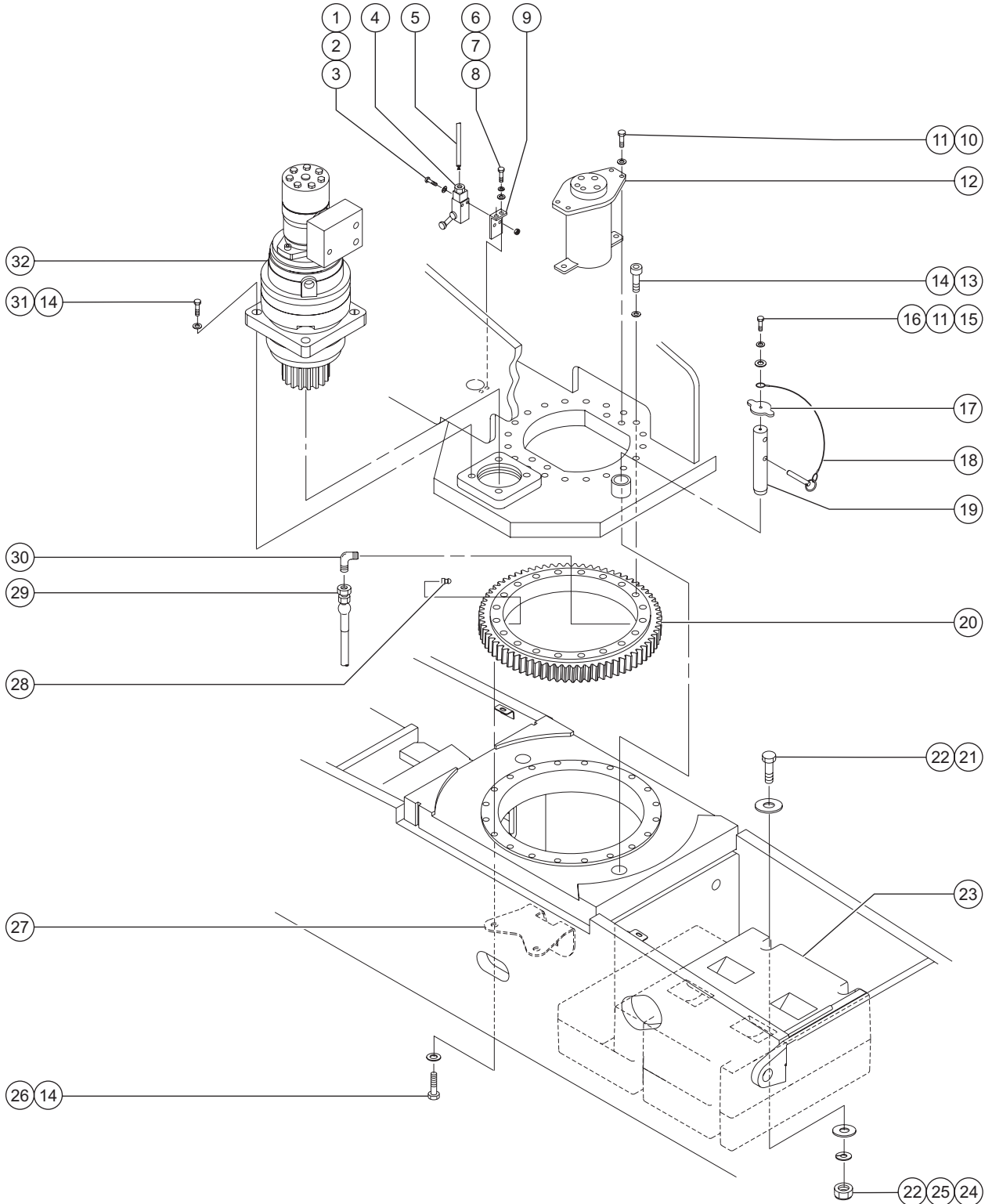
Figure 303.1 **Rev** D **Description** Function Manifold, Plug to Platform and Auxiliary Power Unit



Item	Part No.	Description	Qty.	Item	Part No.	Description	Qty.
1	Ref.	Function Manifold (refer to 701.1)		21	6019	Screw - HHC, 3/8 -16 x 1.25 inches, GR 5	
2	89074P	Function Manifold Mount	1	22	89439P	Auxiliary Power Unit Mount	1
3	6935	Electric Locknut, 1/2 inch	1	23	4266	Screw - HHC, 1/4 -20 x 2 inches, GR 5	
4	43956	Electrical Cord, 14 Ga., 3 Conductor, (S-40) 828 inches (S-45) 888 inches		24	6356	Lock Washer, 1/4 inch	
5	7056	Squeeze Connector, 1/2 inch NPT	1	25	89617	Auxiliary Power Unit, 12V DC	1
6	6595	North American Electrical Plug, 110V AC	1	—	77069	Motor, 12V DC	
—	12153	British 3 Pin Electrical Plug, 110V AC		—	62268	Pump	
—	6666	European 2 Pin Electrical Plug, 220V AC		—	37187	Seal Kit	
—	25388	British 3 Pin Electrical Plug, 220V AC		—	77071	Solenoid	
—	65737	Fuse, 13A		—	37192	Coupler	
7	29883	Screw - HHC, 5/8 -11 x 1.75 inches, GR 8	3	—	Ref.	Wire Harness, Battery to APU Solenoid (refer to 311.1)	
8	6036	Lock Washer, 5/8 inch					
9	13064	Hardened Flat Washer, 5/8 inch ...	5				
10	6024	Nylock Nut, 5/8 -11					
11	6091	Nylock Nut, 1/4 -20					
12	6638	Flat Washer, 1/4 inch					
13	6888	Screw - HHC, 1/4 -20 x 1 inch, GR 5					
14	30677-S	Tank Tray	1				
15	29868	Spring Clip Nut, 3/8 -16					
16	6175	Screw - HHC, 3/8 -16 x 1 inch, GR 5					
17	6021	Lock Washer, 3/8 inch					
18	6097	Flat Washer, 3/8 inch					
19	Ref.	Ground Controls (refer to 305.1 and 306.1)					
20	94077	Level Sensor	1				



Figure 304.1 **Rev** G **Description** Turntable Rotator and Hydraulic Rotary Coupler Installation

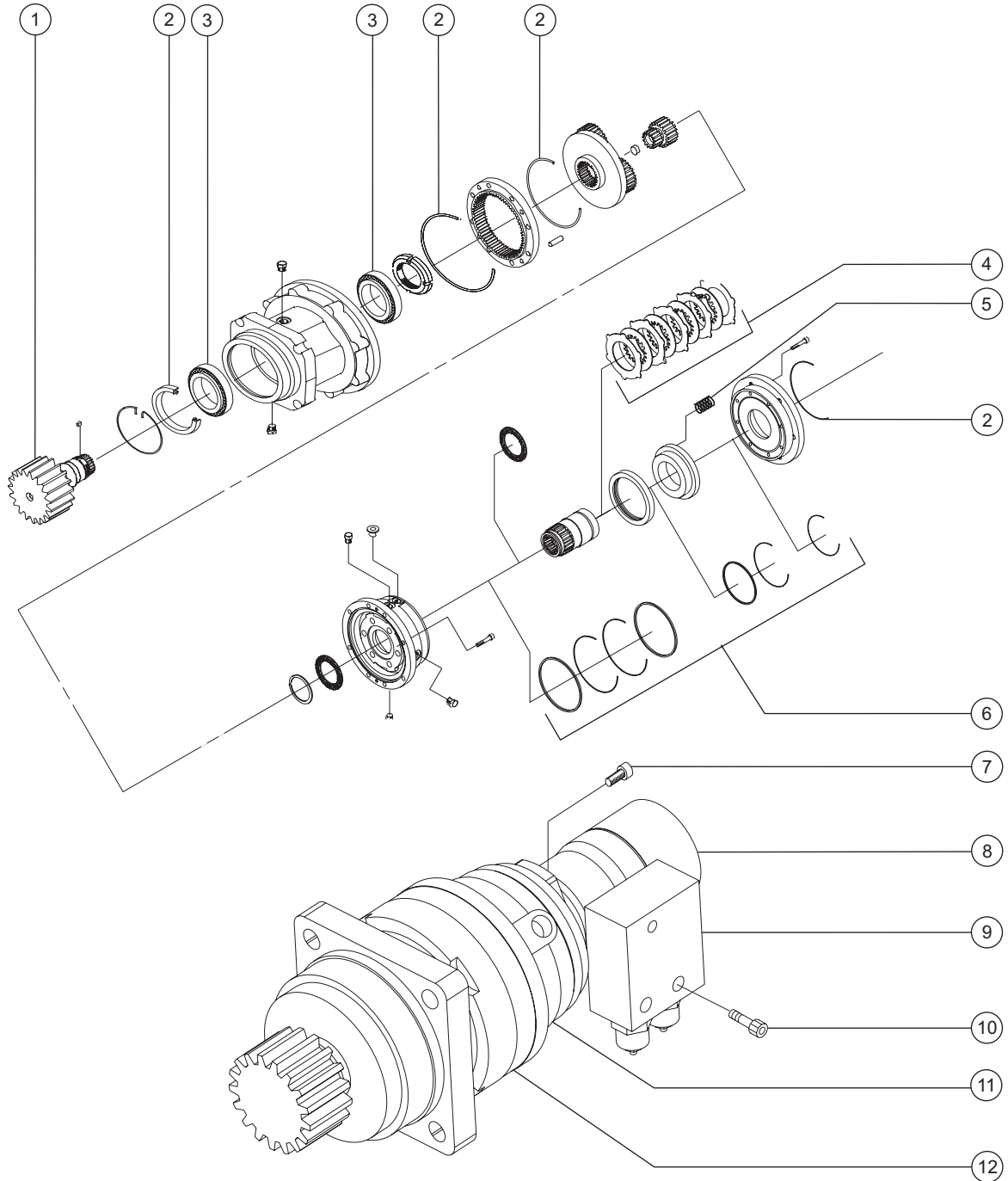


Item	Part No.	Description	Qty.	Item	Part No.	Description	Qty.
—	Ref.	Harness, Drive Enable Switch (includes item 4 and 5) (refer to 311.1)		23	53141	Drive Chassis Weight, 1047 lbs (S-45)	2
1	22541	Screw - RHM, 10-32 x 1.5 inches		24	33265	Jam Nut, 1-8	
2	6607	Lock Washer, Plated, #10		25	29605	Lock Washer, 1 inch	
3	6178	Nylock Nut, 10-32		26	21175	Screw - SHC, 5/8 -11 x 4 inches, GR 8	20
4	88356-11205	Limit Switch with Roller Arm	1	27	81137	Swivel Stop Bracket	2
—	19491	Contact		28	28646	Fitting	1
—	27643	Roller Arm		29	49189-4638	Hose Assembly - Components: Genie part numbers 48805, 48805, and 48751 @ 44 inches	
5	1505	Electrical Cord, 16 Ga., 2 Conductor	40 inches	30	48887	Fitting	1
6	6090	Screw - HHC, 1/4 -20 x 0.75 inch, GR 5		31	81110	Screw - HHC, 5/8 -11 x 2 inches, GR 8	4
7	6356	Lock Washer, 1/4 inch		32	Ref.	Turntable Rotation Drive Hub, Motor and Brake Assembly (refer to 305.1)	
8	6638	Flat Washer, 1/4 inch					
9	30783P	Limit Switch Mount Bracket	1				
10	6019	Screw - HHC, 3/8 -16 x 1.25 inches, GR 5					
11	6021	Lock Washer, 3/8 inch					
12	89571	Hydraulic Rotary Coupler	1				
—	94937	Seal Kit					
13	45495	Screw - SHC, 5/8 -11 x 3 inches, GR 8	20				
14	13064	Hardened Flat Washer, 5/8 inch	44				
15	8255	Screw - HHC, 3/8 -16 x 0.75 inch, GR 5					
16	6097	Flat Washer, 3/8 inch					
17	89064	Pin Retainer Plate	1				
18	11637	Pin Retainer with Lanyard	1				
19	32731	Turntable Rotation Pin Assembly (includes items 11 and 15-18)	1				
20	45031	Turntable Rotation Bearing	1				
21	34079	Screw - HHC, 1-8 x 8.5 inches					
22	28476	Flat Washer, 1.25 x 3 x 0.188 inch					

The length listed in the component description is the length of the hose only. Refer to 713.1 to cross-reference Genie part numbers to Parker part numbers.



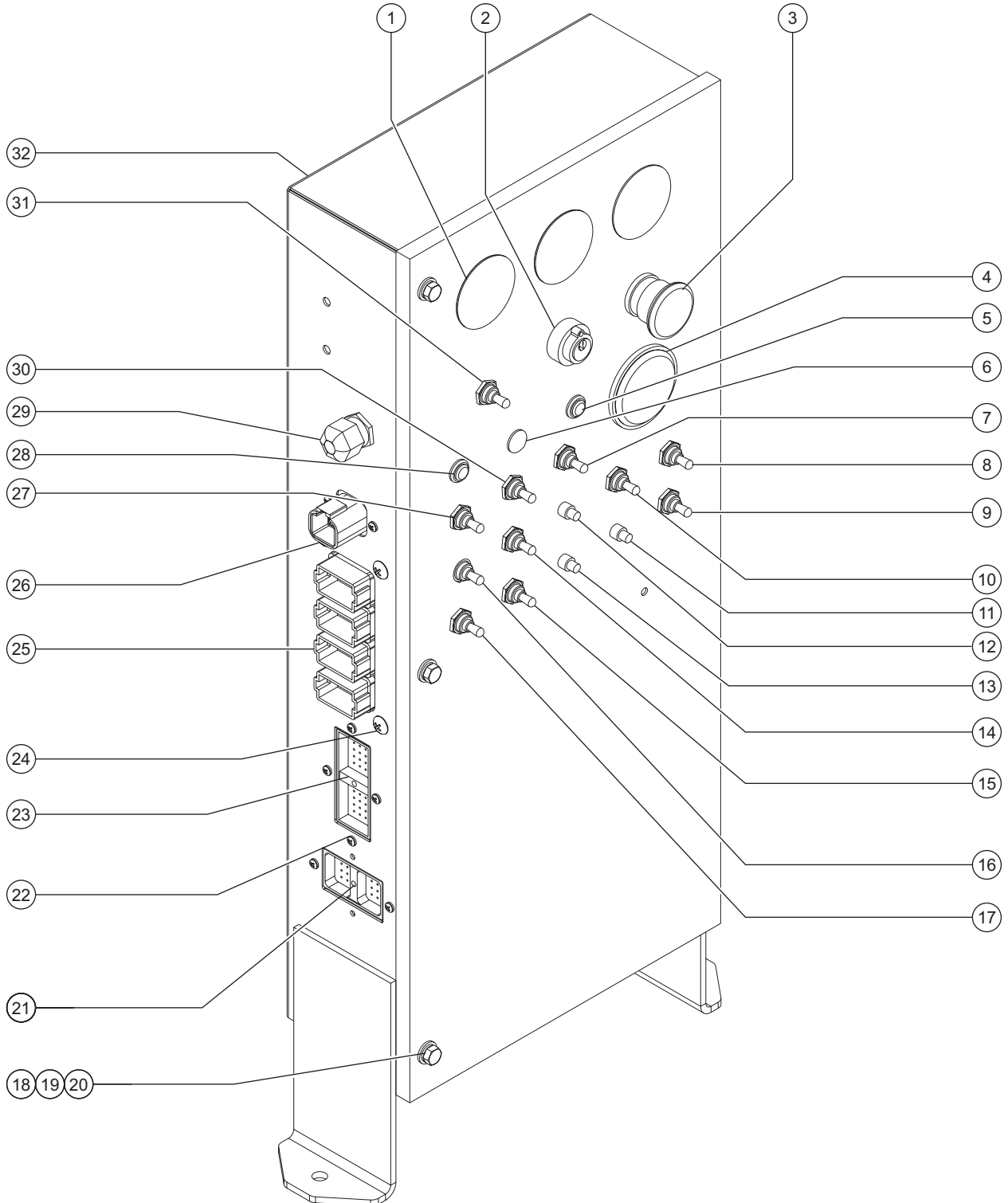
Figure 305.1 **Rev** C **Description** Turntable Rotation Drive Hub



Item	Part No.	Description	Qty.
—	81108	Turntable Rotation Drive Hub, Motor and Brake Assembly (before serial number 7154)	
—	89885	Turntable Rotation Drive Hub, Motor and Brake Assembly (after serial number 7153)	
1	75677	Pinion Integral Shaft	1
2	75678	Reducer Seal Kit.....	1
3	75681	Bearing Kit	1
4	75682	Disc Kit	1
5	75683	Spring Kit	1
6	62466	Brake Seal Kit	1
7	111092	Screw - SHC, M12 x 30mm, GR 12.9	2
8	75684	Swing Drive Motor	1
—	75685	Seal Kit	
9	102680	Turntable Rotation Manifold (includes item 36648) (before serial number 7154)	1
—	75117	Turntable Rotation Manifold (includes item 75118) (after serial number 7153)	
—	36648	Counterbalance Valve, 2500 psi / 172.4 bar (before serial number 7154)	
—	75118	Counterbalance Valve, 3000 psi / 206.8 bar (after serial number 7153)	
—	75119	Seal Kit	
10	41489	Screw - SHC, ⁵ / ₁₆ -18 x 2 inches (after serial number 7153)	
11	102680	Turntable Rotation Brake Assembly (before serial number 7154)	1
—	75686	Turntable Rotation Brake Assembly (after serial number 7153)	
12	102682	Torque Hub Swing Assembly	1



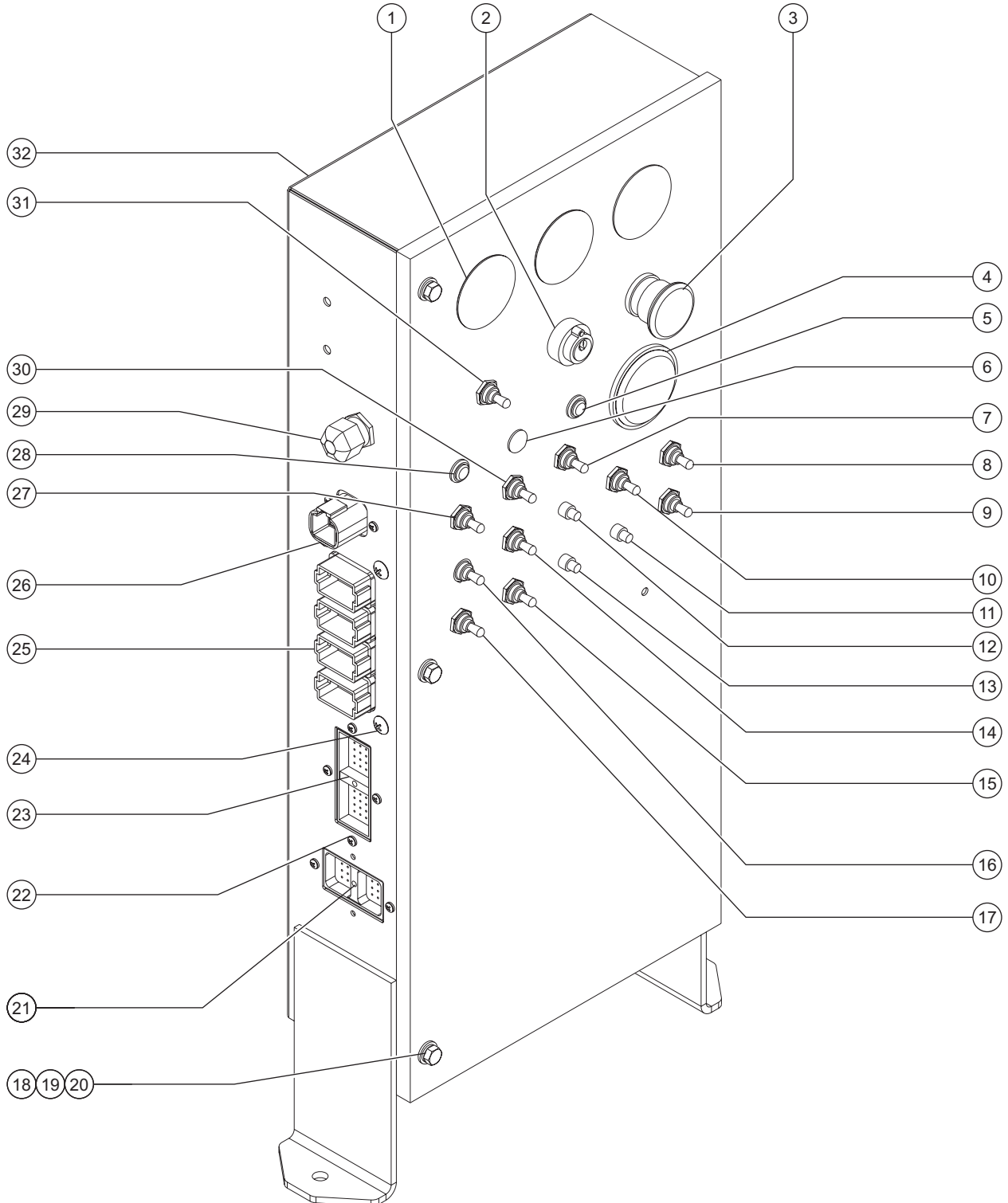
Figure 306.1 **Rev** B **Description** Ground Control Box - View 1



Item	Part No.	Description	Qty.	Item	Part No.	Description	Qty.
—	89680-S	Ground Control Box Assy (S-40)		11	24018	Circuit Breaker, 15A (engine)	1
—	89861-S	Ground Control Box Assy (S-45)		12	47899	Circuit Breaker, 20A (oil cooler option)	1
—	110656	Retained Key Option		13	24018	Circuit Breaker, 15A (controls)	1
—	83131	Key Switch, Retained Key Option		14	13037-S	Toggle Switch (jib boom up/down) SPDT, 3 position, Momentary	1
—	27246	Rubber Boot		15	13037-S	Toggle Switch (platform level) SPDT, 3 position, Momentary	1
—	54692	Nylon Spacer, 0.718 x 0.526 x 0.219 inch		16	16397-S	Toggle Switch (turntable rotate) DPDT, 3 position, Momentary	1
1	81900	Nylon Plug, Black Domed, 2.093 inches	3	17	16397-S	Toggle Switch (platform rotate) DPDT, 3 position, Momentary	1
2	66811	Key Switch, 3 position with Base (includes 1 pair of keys) (before serial number 7190)	1	18	6090	Screw - HHC, 1/4 -20 x 0.75 inch, GR 5	
—	21982	Key (1 key only)		19	6356	Lock Washer, 1/4 inch	
—	37947	Key (package of 10 keys)		20	6638	Flat Washer, 1/4 inch	
—	66814	Push Button Base (includes 2 each N.O. contacts)		21	73753	Receptacle Connector, 24 way	1
—	66816	N.O Contact.		22	49820	Screw - PHM, 6-32 x 0.5 inch	
2	96008	Key Switch, 3 position with Base (includes 1 pair of keys) (after serial number 7189)	1	—	12344	Nylock Nut, 6-32	
—	88827	Gasket		23	73754	Receptacle Connector, 40 way	1
—	83093	Key (includes boot)		24	73803	Screw - SHM, PHP No.12 x 3/4 inch	
3	66812	Red Push Button with Base	1	25	73736	Receptacle Connector, 48 way	1
—	73805	Push Button Base (includes 2 each N.C. contacts)		26	73717	Receptacle Connector, 4 way, 12-14 Ga.	1
—	66818	N.C. Contact		—	73711	Pin Terminal, 12-14	
4	19506	Hour Meter, 10-80V DC	1	—	60526	Lock Receptacle 4 way, 12-14 Ga.	
5	56298	Red Light LED, 12V DC (Ford models)	1	27	16397-S	Toggle Switch (boom up/down) DPDT, 3 position, Momentary	1
—	56848	Lock Washer, LED		28	56298	Red Light LED, 12V DC	1
6	45384	Black Plastic Plug, 0.5 inch	1	—	56848	Lock Washer, LED	
7	56457-S	Toggle Switch (gasoline/LPG) (Ford models) SPDT, 2 position, Maintained	1	This list continues on the next page.			
8	13037-S	Toggle Switch (glow plug) (diesel models) SPDT, 3 position, Momentary	1				
9	13037-S	Toggle Switch (function enable) SPDT, 3 position, Momentary	1				
10	13037-S	Toggle Switch (engine start) SPDT, 3 position, Momentary	1				

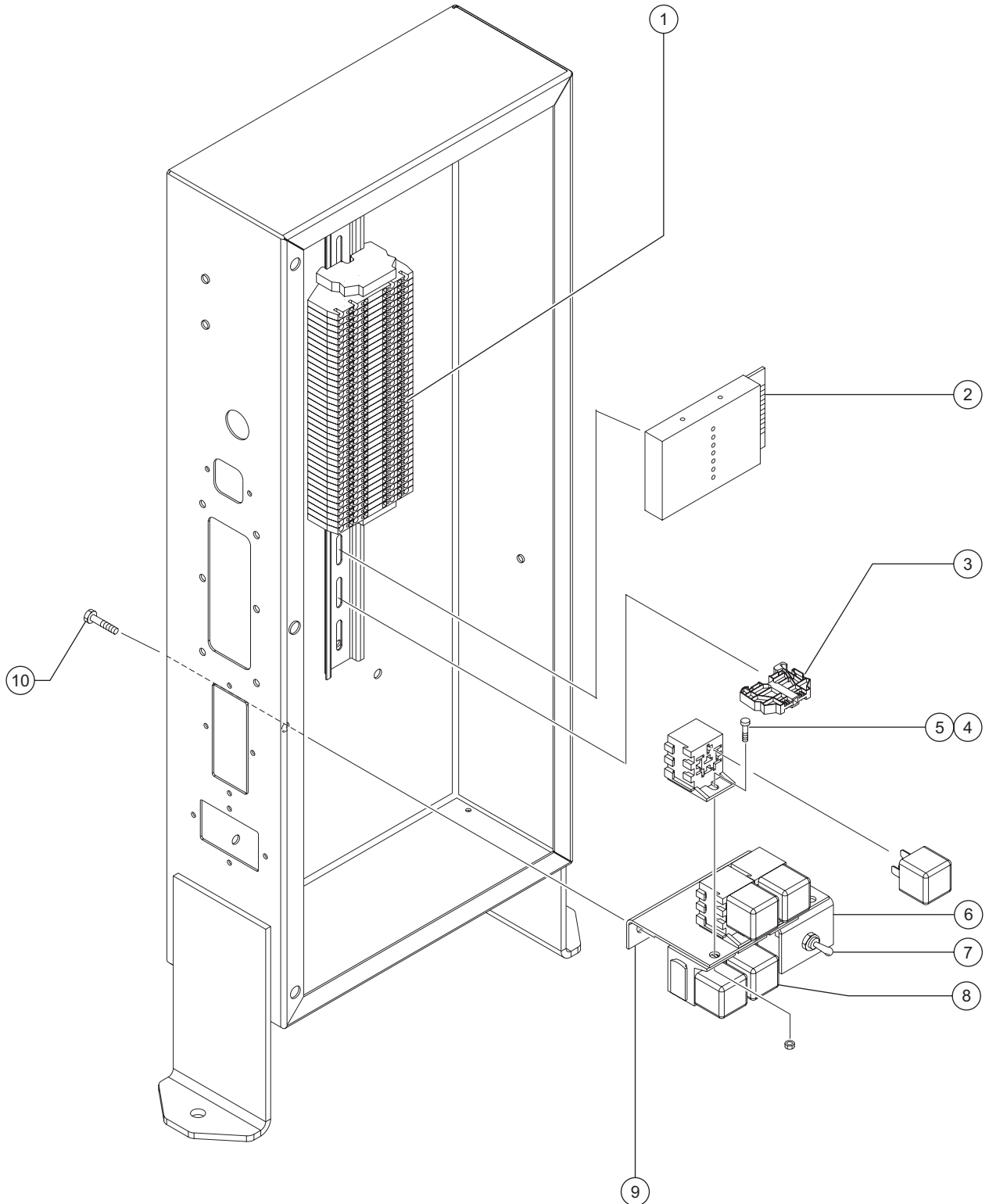


Figure 306.1 **Rev** B **Description** Ground Control Box - View 1



Item	Part No.	Description	Qty.
29	7056	Squeeze Connector, 1/2 inch NPT	1
—	6935	Electric Locknut, 1/2 inch	
30	13037-S	Toggle Switch (boom extend/retract) SPDT, 3 position, Momentary	1
31	13480-S	Toggle Switch (auxiliary power) DPST, 2 position, Momentary	1
32	89838	Ground Control Box Assembly with decals	1
—	30782	Gasket	
—	88176	Nutsert, 1/4 -20	
—	30997	Corrosion Inhibitor	

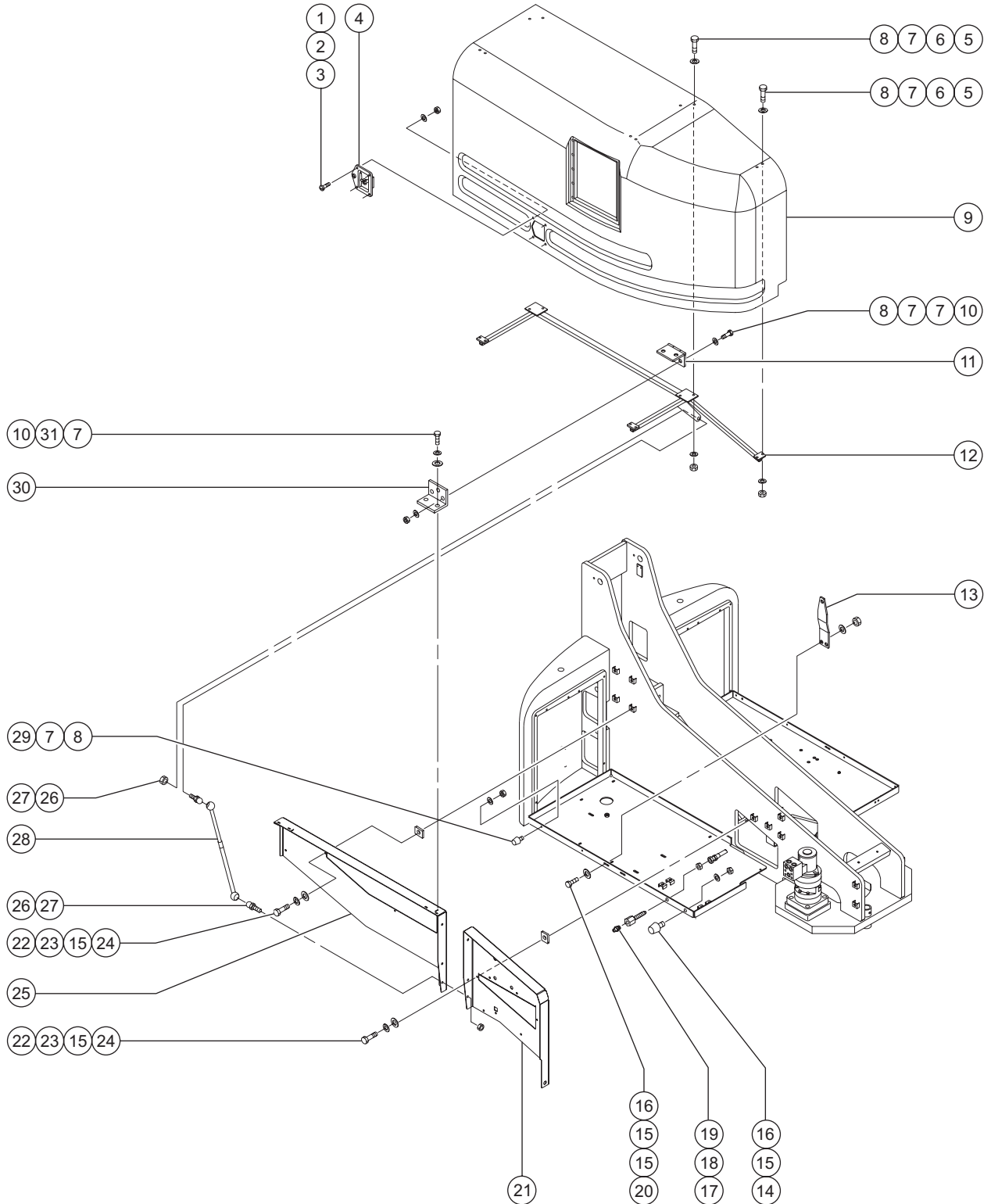
Figure 307.1
Rev B
Description Ground Control Box - View 2



Item	Part No.	Description	Qty.
1	89172	Terminal Rail Assembly (includes item 3)	1
—	74911	Terminal Block	
—	33422	Mounting Rail, 17 inches	
—	74912	End Plate	
—	74920	Number Marking Tags, 1-10	
—	74921	Number Marking Tags, 11-20	
—	74922	Number Marking Tags, 21-30	
—	74923	Number Marking Tags, 31-40	
—	74924	Number Marking Tags, 41-50	
2	56057	Start/Ignition Module	1
3	74913	End Stop	2
4	54365	Screw - PHM, 10-32 x 0.5 inch	
5	6178	Nylock Nut, 10-32	
6	49743P	Toggle Switch Mount Bracket	1
7	42730-S	Toggle Switch (run/test) (Ford models) SPDT, 2 position, Momentary	1
8	34052	SPDT Relay, 12V DC (Ford models) (before serial number 7597)	4
—	34052	SPDT Relay, 12V DC (Ford models) (after serial number 7596)	5
—	34052	SPDT Relay, 12V DC (Deutz models)	6
—	34052	SPDT Relay, 12V DC (Perkins models)	6
—	34053	SPDT Relay Socket	as needed
—	34054	Relay Socket Terminal, 10-12 Ga.	
—	34055	Relay Socket Terminal, 14-16 Ga.	
—	34056	Relay Socket Terminal, 18-20	
9	54534	Relay Mount Bracket	1
—	88176	Nutsert 1/4 -20	
10	6090	Screw - HHC, 1/4 -20 x 0.75 inch, GR 5	



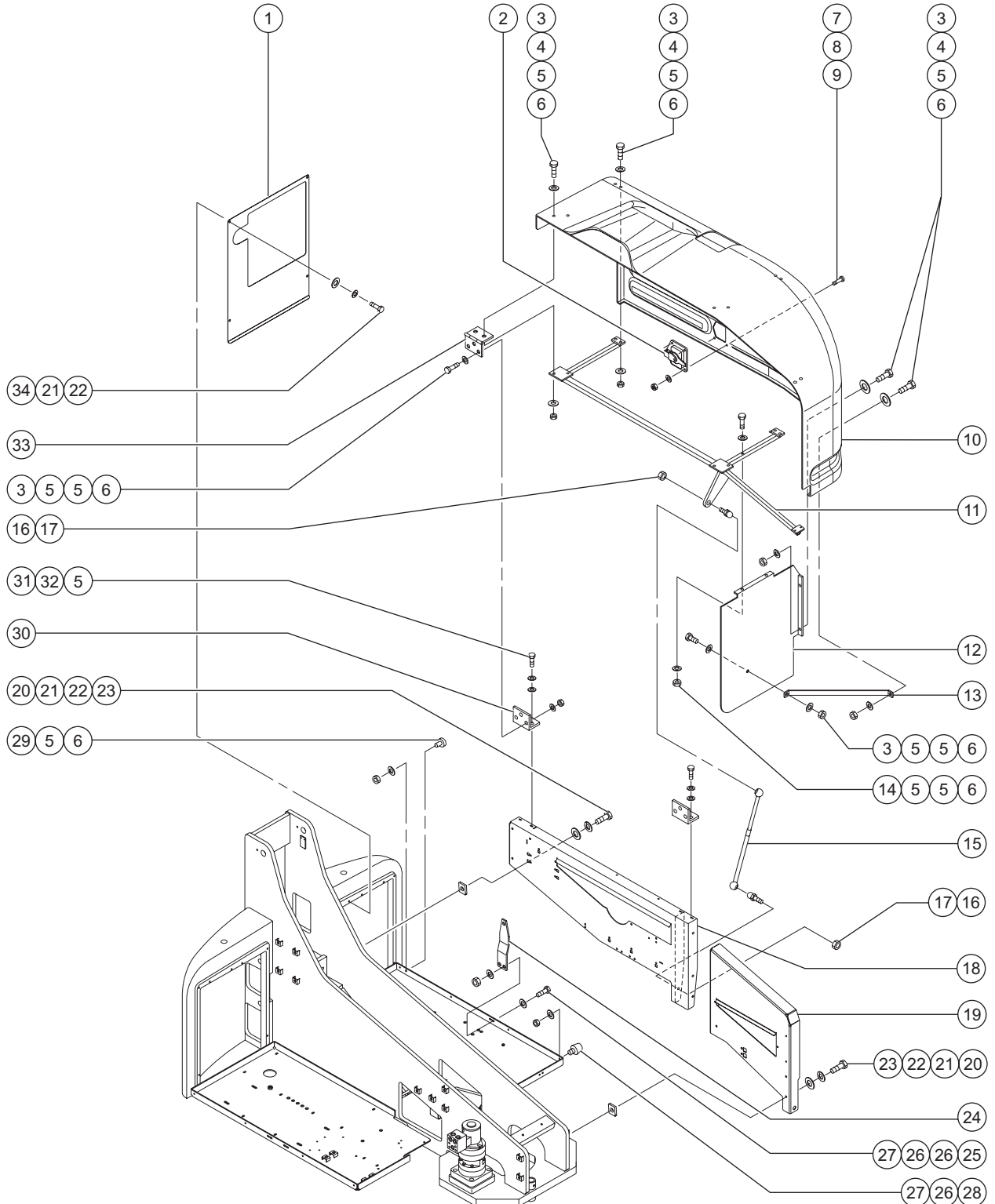
Figure 308.1 **Rev** D **Description** Turntable Covers - View 1 (Tank Side)



Item	Part No.	Description	Qty.	Item	Part No.	Description	Qty.
1	49816	Screw - PHM, 10-32 x 0.75 inch		19	49189-4638	Bearing Lubrication Hose Assembly	1
2	6146	Flat Washer, Plated, #10		20	13002	Screw - HHC, 5/16 -18 x 1 inch, GR 5	
3	6178	Nylock Nut, 10-32		21	89411	Tank Side Bulkhead, Rear	1
4	53903	Turntable Cover Latch	1	22	6019	Screw - HHC, 3/8 -16 x 1.25 inches, GR 5	
—	52293	Key		23	6021	Lock Washer, 3/8 inch	
5	8915	Screw - HHC, 1/4 -20 x 1.25 inches, GR 5		24	29868	Spring Clip Nut, 3/8 -16	6
6	12906	Fender Washer, 1/4 x 1.25 x 0.062 inch		25	89408	Tank Side Bulkhead, Front	1
7	6638	Flat Washer, 1/4 inch		26	33555	Ball Stud, 5/16 -18	2
8	6091	Nylock Nut, 1/4 -20		27	6002	LP Nylock Nut, 5/16 -18	
9	65477	Turntable Cover Assembly, Tank Side (before serial number 7190)	1	28	28301	Gas Strut, with Retaining Spring	1
—	102137	Turntable Cover with Word Decals, Tank Side (from serial number 7190 to 9752)		—	27377	Retaining Spring	
—	111327	Turntable Cover with Word Decals, Tank Side (after serial number 9752)		29	36388	Rubber Bumper with Stud (before serial number 10974)	1
—	102138	Turntable Cover with Symbol Decals, Tank Side (after serial number 7189)		—	111663	Rubber Bumper, with Stud (after serial number 10973)	
10	6888	Screw - HHC, 1/4 -20 x 1 inch, GR 5		30	74496P	Hinge Mount Bracket	2
11	75073	Turntable Cover Hinge	2	31	6356	Lock Washer, 1/4 inch	
12	49532-S	Turntable Cover Support, Tank Side	1				
13	49535P	Latch Plate (before serial number 10974)	1				
—	111583	Latch Plate (after serial number 10973)					
14	30973	Rubber Bumper, with Stud (before serial number 10974)	1				
—	111580	Rubber Bumper, with Stud (after serial number 10973)					
15	5397	Flat Washer, 5/16 inch					
16	6782	Nylock Nut, 5/16 -18					
17	28646	Fitting	1				
18	48885	Fitting	1				



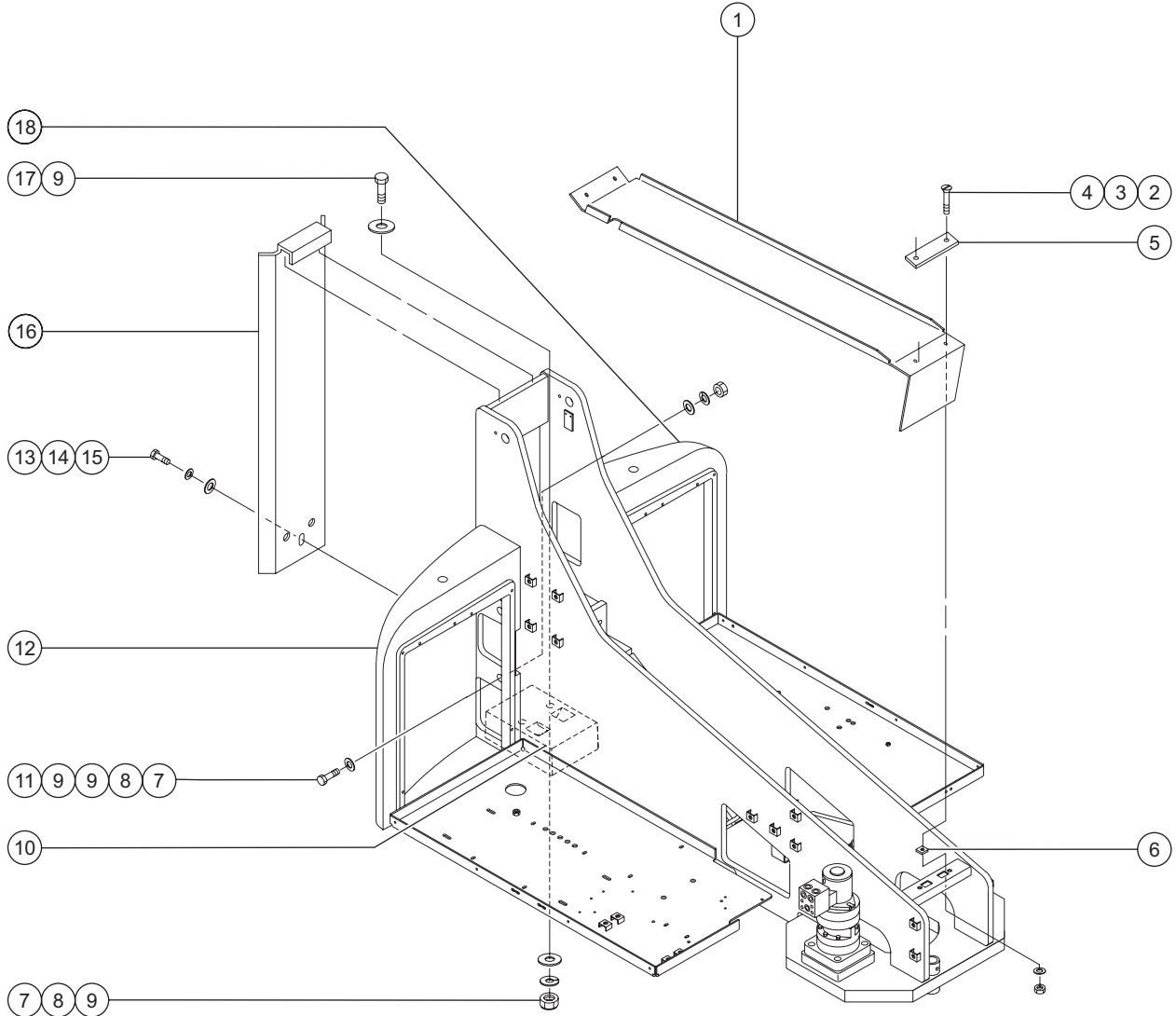
Figure 309.1 **Rev** D **Description** Turntable Covers - View 2 (Engine Side)



Item	Part No.	Description	Qty.	Item	Part No.	Description	Qty.
1	53078P	Air Baffle Plate (Ford models) (before serial number 7597)		13	30894P	Shroud Support (Gasoline/LPG models)	1
—	63400P	Air Baffle Plate (Perkins models) (before serial number 7472)		14	6637	Screw - HHC, 1/4 -20 x 1.75 inches, GR 5	
—	53079P	Air Baffle Plate (Deutz models) (before serial number 7544)		15	28301	Gas Strut, with Retaining Spring	1
1	89913P	Air Baffle Plate (Ford models) (after serial number 7596)		—	27377	Retaining Spring	
—	89929P	Air Baffle Plate (Perkins models) (after serial number 7471)		16	6002	Nylock Nut, 5/16 -18	
—	89912P	Air Baffle Plate (Deutz models) (after serial number 7543)		17	33555	Ball Stud, 5/16 -18	2
2	53903	Turntable Cover Latch	1	18	89412	Engine Side Bulkhead, Front	1
—	52293	Latch Key		19	89415	Engine Side Bulkhead, Rear	1
3	8915	Screw - HHC, 1/4 -20 x 1.25 inches, GR 5		20	6019	Screw - HHC, 3/8 -16 x 1.25 inches, GR 5	
4	12906	Fender Washer, 1/4 x 1.25 x 0.062 inch		21	6021	Lock Washer, 3/8 inch	
5	6638	Flat Washer, 1/4 inch		22	6097	Flat Washer, 3/8 inch	
6	6091	Nylock Nut, 1/4 -20		23	29868	Spring Clip Nut, 3/8 -16	6
7	49816	Screw - PHM, 10-32 x 0.75 inch		24	49535P	Latch Plate (before serial number 10974)	1
8	6146	Flat Washer, Plated, #10		—	111583	Latch Plate (after serial number 10973)	
9	6178	Nylock Nut, 10-32		25	13002	Screw - HHC, 5/16 -18 x 1 inch, GR 5	
10	65478	Turntable Cover with Word Decals, Engine Side (Gasoline/LPG models)	1	26	5397	Flat Washer, 5/16 inch	
—	65479	Turntable Cover with Word Decals, Engine Side (Diesel models)		27	6782	Nylock Nut, 5/16 -18	
10	102139	Turntable Cover with Symbol Decals, Engine Side (Gasoline/LPG models)	1	28	30973	Rubber Bumper, with Stud (before serial number 10974)	1
—	102140	Turntable Cover with Symbol Decals, Engine Side (Diesel models)		—	111580	Rubber Bumper, with Stud (after serial number 10973)	
11	53882	Turntable Cover Support, Engine Side (before serial number 1048)	1	29	36388	Rubber Bumper with Stud (before serial number 10974)	1
—	102740	Turntable Cover Support, Engine Side (after serial number 1047)		—	111663	Rubber Bumper, with Stud (after serial number 10973)	
12	49537P	Air Baffle (Gasoline/LPG models)	1	30	74496P	Hinge Mount Bracket	2
				31	6888	Screw - HHC, 1/4 -20 x 1 inch, GR 5	
				32	6356	Lock Washer, 1/4 inch	
				33	75073	Turntable Cover Hinge	2
				34	8255	Screw - HHC, 3/8 -16 x 0.75 inch, GR 5	



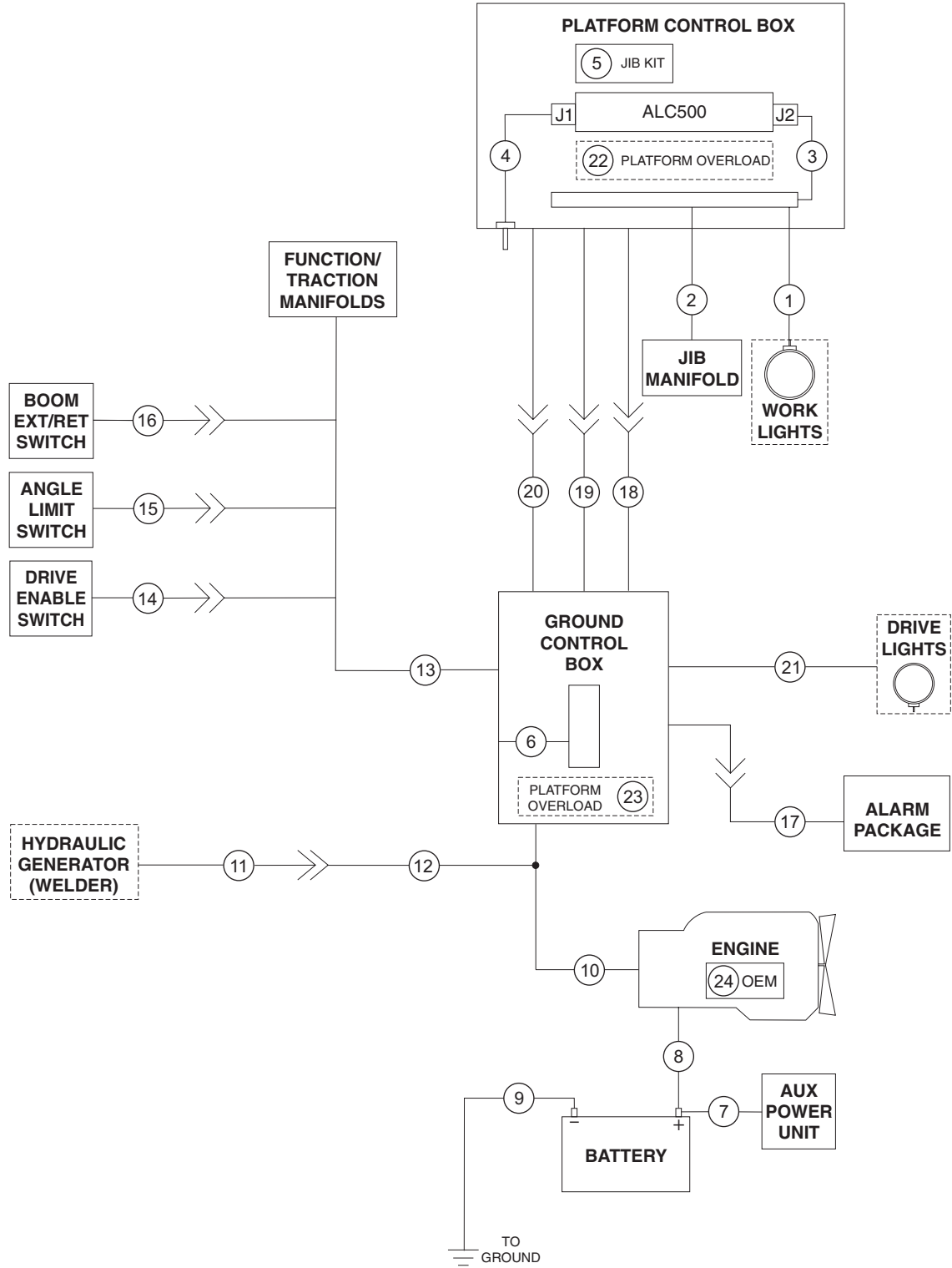
Figure 310.1
Rev D
Description Turntable Covers - View 3



Item	Part No.	Description	Qty.
1	34358P	Turntable Boom Storage Cover....	1
2	17712	Screw - FHS, 3/8 -16 x 1.75 inches	
3	5397	Flat Washer, 5/16 inch (before serial number 11635)	
4	4828	Nylock Nut, 3/8 -16 (before serial number 11635)	
5	34370	Wear Pad, 2 x 8 x 0.5 inch	1
6	29868	Spring Clip (after serial number 11634)	2
7	33265	Jam Nut, 1-8	
8	29605	Lock Washer, 1 inch	
9	38859	Flat Washer, 1 x 2.5 x 0.14 inch	
10	53553	Counterweight, 227 lbs (S-45).....	1
11	30798	Screw - HHC, 1-8 x 4.5 inches, GR 5	
12	46769	Counterweight, 405 lbs, Tank Side	1
13	6175	Screw - HHC, 3/8 -16 x 1 inch, GR 5	
14	6021	Lock Washer, 3/8 inch	
15	6097	Flat Washer, 3/8 inch	
16	102141	Turntable Front Cover with Decals (S-40)	1
—	102142	Turntable Front Cover with Decals (S-45)	
17	34079	Screw - HHC, 1-8 x 8.5 inches	
18	46768	Counterweight, 405 lbs, Engine Side	1



Figure 311.1 **Rev A** **Description**
 Wire Harness and Power Cable Assemblies

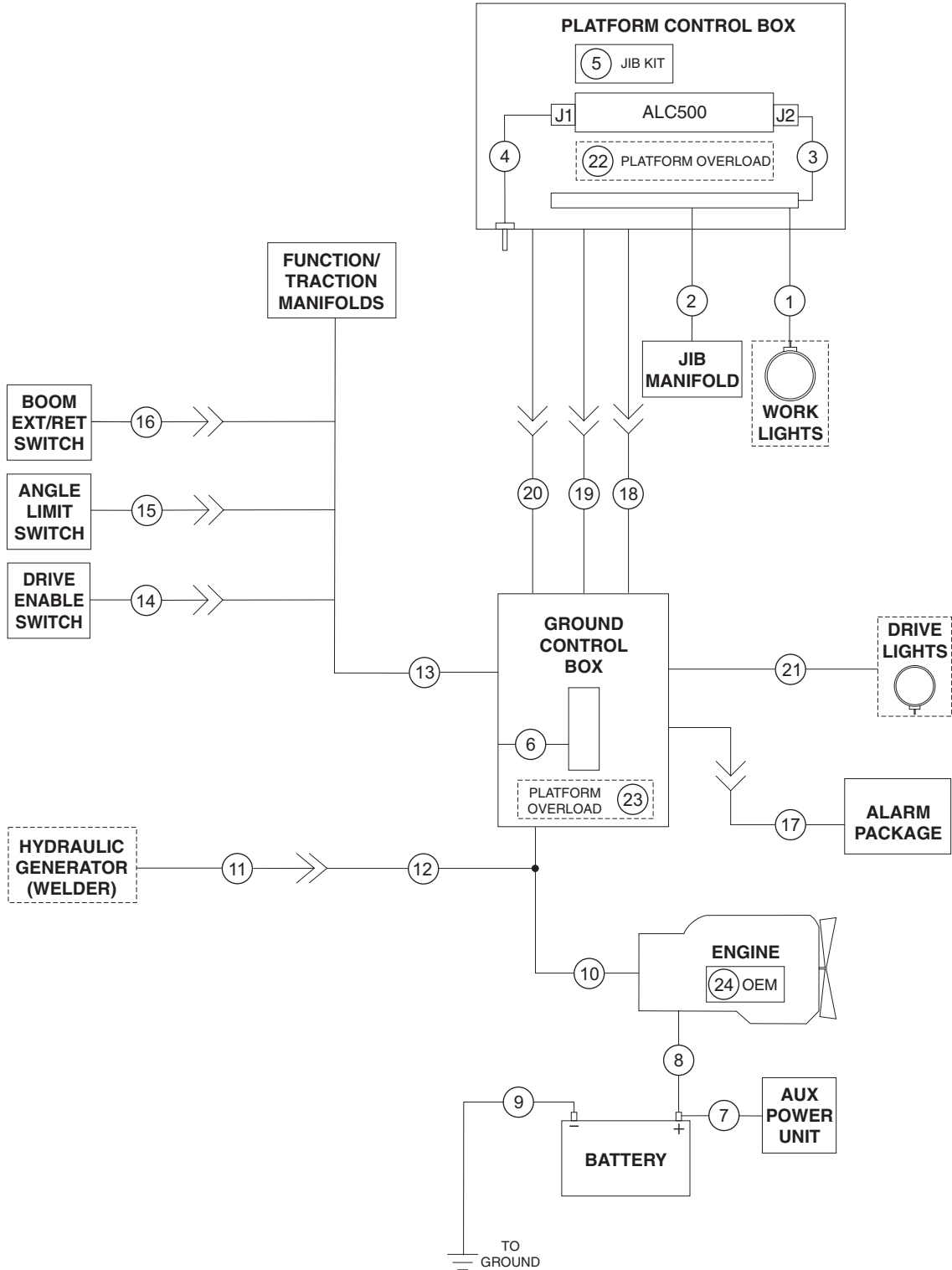


Item	Part No.	Description	Qty.	Item	Part No.	Description	Qty.
1	73480	Work Light Harness Assembly (option)	1	10	89662	Engine Harness Assembly, Ford models (before serial number 7597)	1
2	102033	Jib Manifold Harness Assembly (S-45)	1	—	102107	Engine Harness Assembly, Ford models (after serial number 7596)	
3	89673	Platform Control Box Harness Assembly	1	11	102316	Lincoln Welder Harness Assembly, Pigtail (option)	1
4	89067	Platform Joystick Harness Assembly	1	12	102304	Welder Harness Assembly, (option)	1
5	89666	Jib Kit Harness Assembly (S-45)	1	13	89674	Function Manifold Harness Assembly	1
6	89677	Ground Control Box Harness Assembly	1	14	89665	Drive Enable Limit Switch Harness Assembly	1
7	89983	Positive Battery Cable Assembly, Battery to APU	1	15	89664	Boom Angle Limit Switch Harness Assembly	1
8	89651	Positive Battery Cable Assembly, Diesel models	1	16	89663	Boom Extend/Retract Limit Switch Harness Assembly ...	1
—	89650	Positive Battery Cable Assembly, Ford models		17	73479	Alarm Package Harness Assembly (option)	1
9	30892	Negative Battery Cable Assembly, Diesel models and Ford models (before serial number 7597)	1	18	89657	12V to Platform Harness Assembly (S-40)	1
—	89631	Negative Battery Cable Assembly, Ford models (after serial number 7596)		—	89654	12V to Platform Harness Assembly (S-45)	
10	89661	Engine Harness Assembly, Perkins models (before serial number 7472)	1	19	89658	Boom Cable 1 Harness Assembly (S-40)	1
—	89942	Engine Harness Assembly, Perkins models (from serial number 7472 to serial number 9558)		—	89655	Boom Cable 1 Harness Assembly (S-45)	
—	111026	Engine Harness Assembly, Perkins models (after serial number 9558)		20	89659	Boom Cable 2 Harness Assembly (S-40)	1
10	89660	Engine Harness Assembly, Deutz models (before serial number 7544)	1	—	89656	Boom Cable 2 Harness Assembly (S-45)	
—	89999	Engine Harness Assembly, Deutz models (after serial number 7543)		21	89692	Drive Light Harness Assembly (option)	1
				22	89925	Platform Overload Harness Assembly (option)	1

This list continues on the next page.



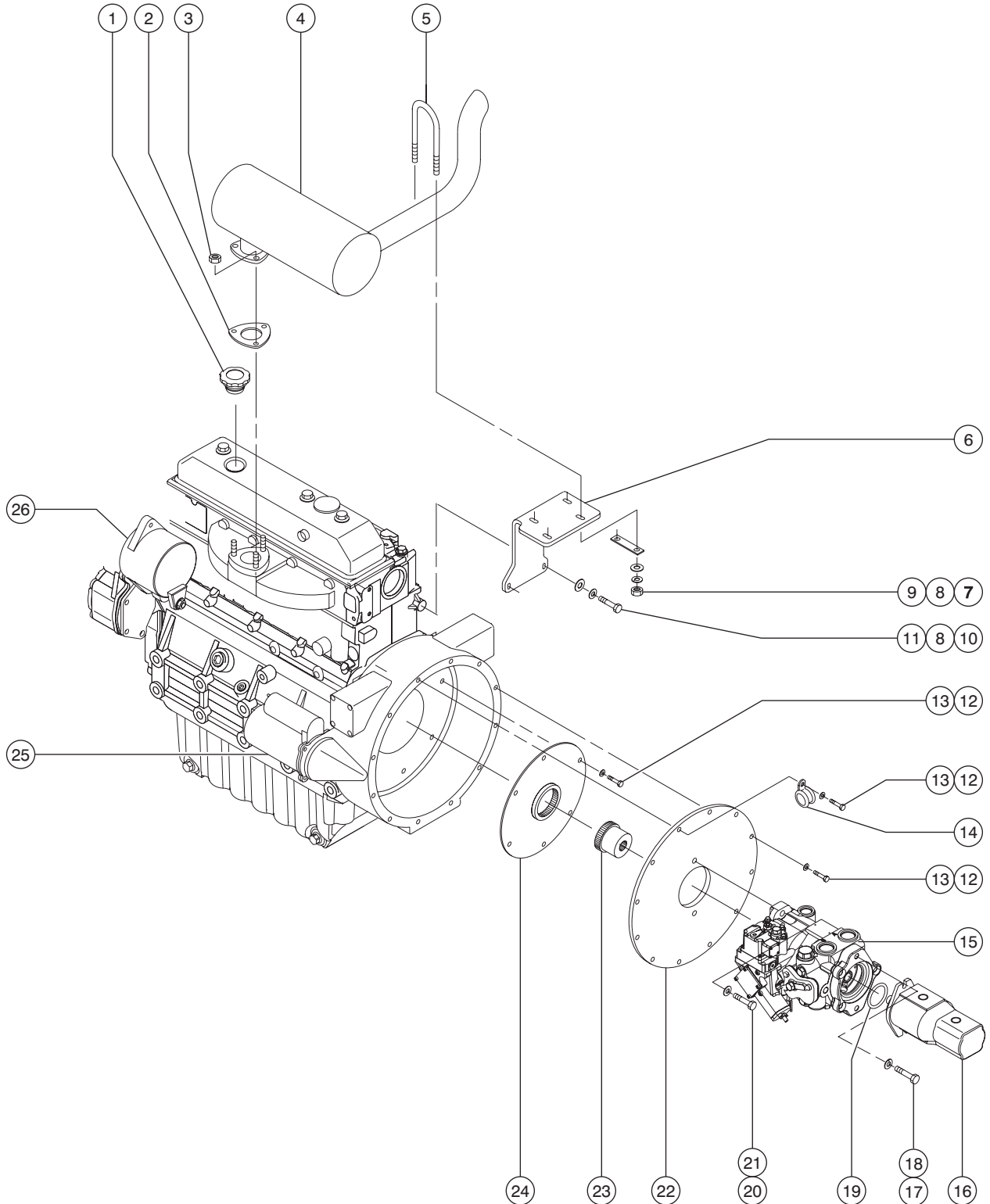
Figure 311.1 **Rev** A **Description** Wire Harness and Power Cable Assemblies



Item	Part No.	Description	Qty.
23	89927	Platform Overload Harness Assembly (option) (before serial number 7182)	1
—	111152	Platform Overload Harness Assembly (option) (after serial number 7182)	
24	88448	Ford OEM Harness (before serial number 7597)	1
—	106605	Ford OEM Harness (after serial number 7596)	

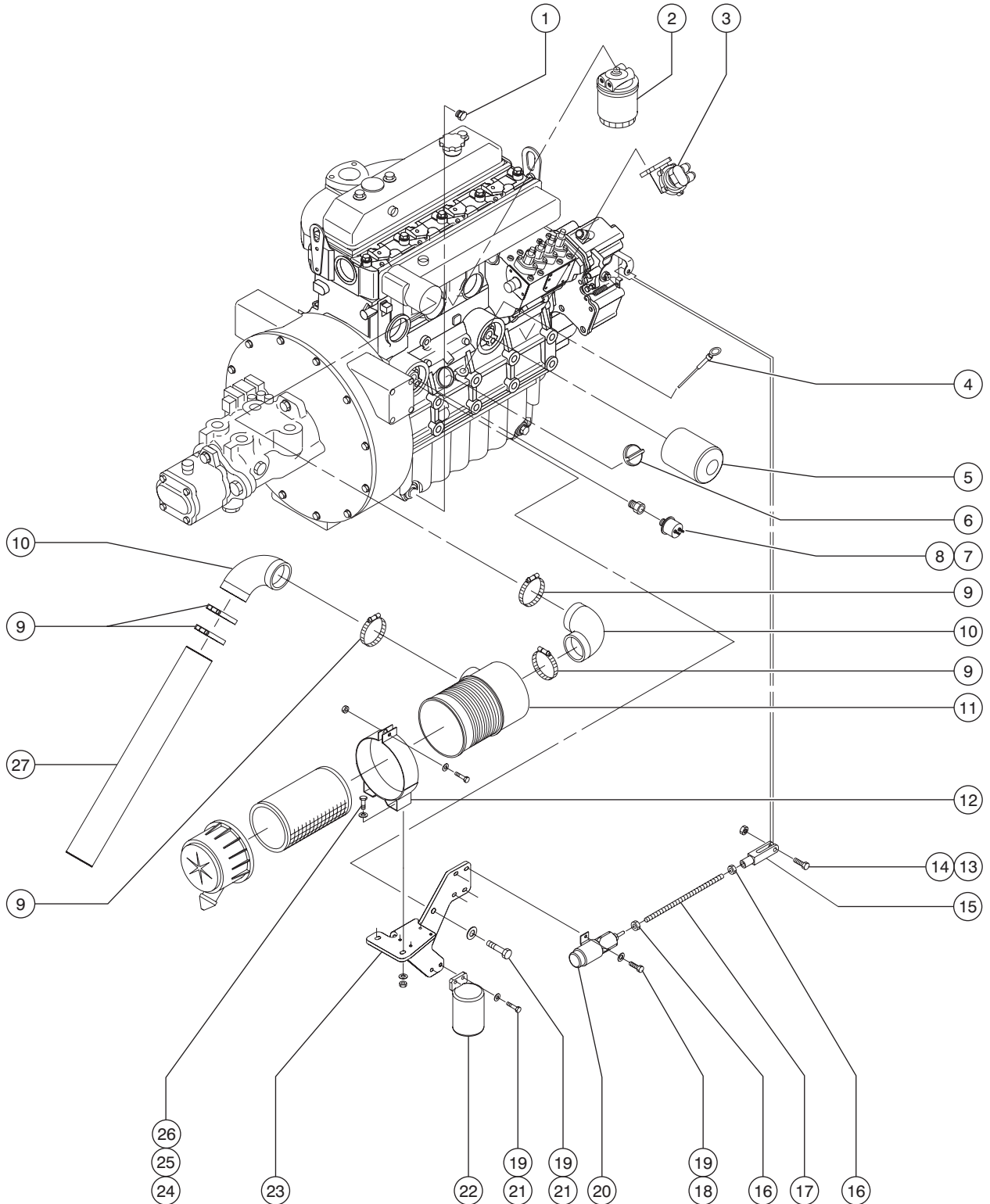


Figure 401.1 **Rev** C **Description** Perkins 704-30 Engine - View 1 (before serial number 7472)



Item	Part No.	Description	Qty.
—	Ref.	Engine Harness Assembly (refer to 311.1)	
1	65499	Oil Filter Cap.....	1
2	65503	Muffler Gasket	1
3	65504	Flange Nut, M10	1
4	63313	Muffler	1
5	16584	U-bolt, ⁵ / ₁₆ -18 x 2.5 inches	1
6	63326P	Exhaust Bracket	1
7	6037	Nut, ⁵ / ₁₆ -18	
8	6886	Lock Washer, ⁵ / ₁₆ inch	
9	5397	Flat Washer, ⁵ / ₁₆ inch	
10	23057	Screw - HHC, M8 -1.25 x 20 mm, GR 8.8	
11	6638	Flat Washer, 1/4 inch	
12	44064	Screw - HHC, M10 -1.5 x 30 mm, GR 8.8	
13	22700	Lock Washer, M10	
14	45454	Rubber Cushioned Clamp, 1/4 inch	1
15	Ref.	Drive Pump (refer to 706.1)	
16	Ref.	Function Pump (refer to 706.1)	
17	6175	Screw - HHC, ³ / ₈ -16 x 1 inch, GR 5	
18	6097	Flat Washer, ³ / ₈ inch	
19	83141	O-ring	1
20	8177	Screw - HHC, 1/2 -13 x 1.5 inches, GR 5	
21	6033	Lock Washer, 1/2 inch	
22	63464P	Pump Mount	1
23	37002	Pump Coupler	1
24	33024	Flexplate	1
25	65495	Starter	1
26	65487	Alternator, 12V DC, 65 A	1

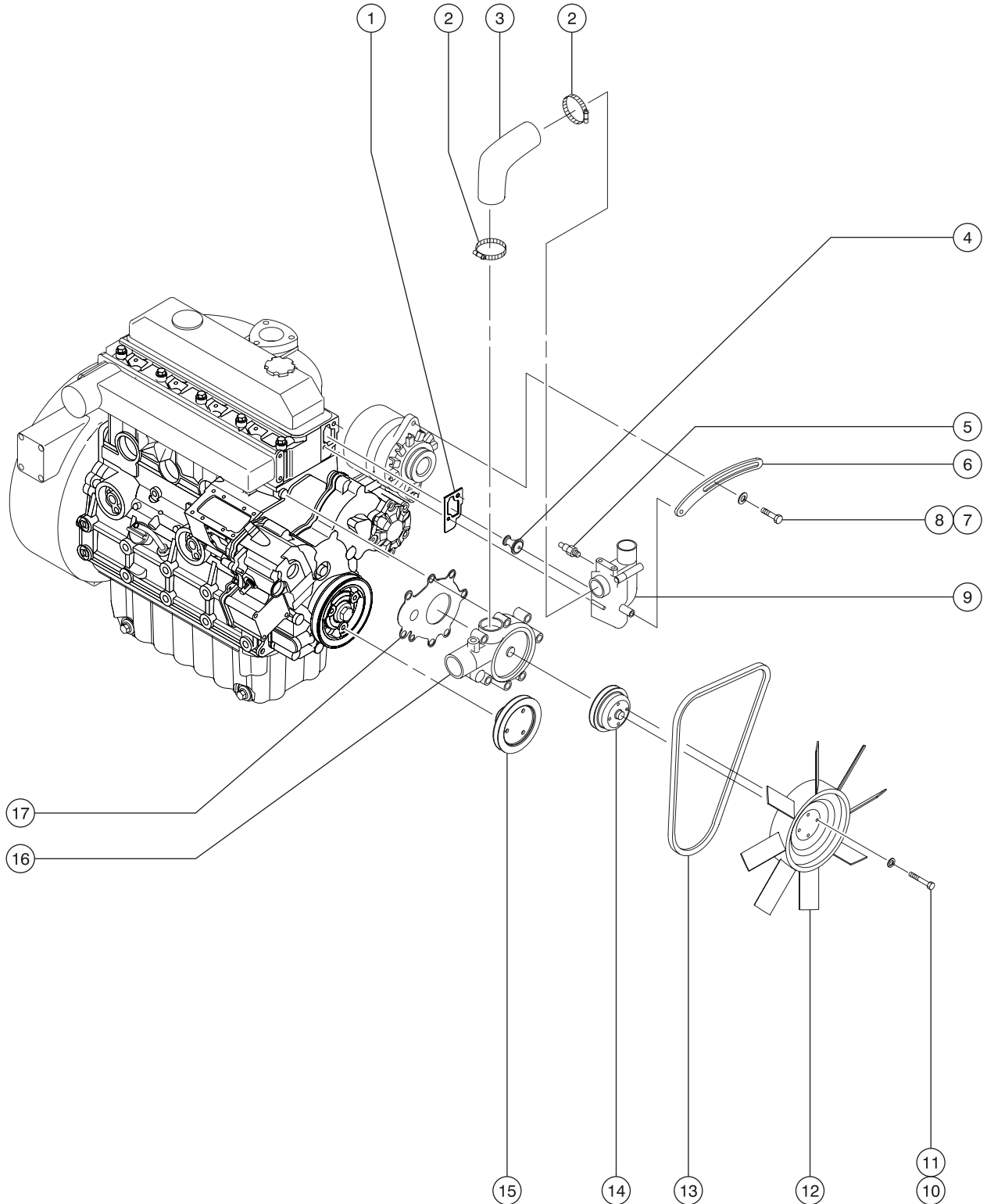
Figure 402.1 **Rev** A **Description** Perkins 704-30 Engine - View 2 (before serial number 7472)



402.1
Perkins 704-30 Engine - View 2 (before serial number 7472) Rev A

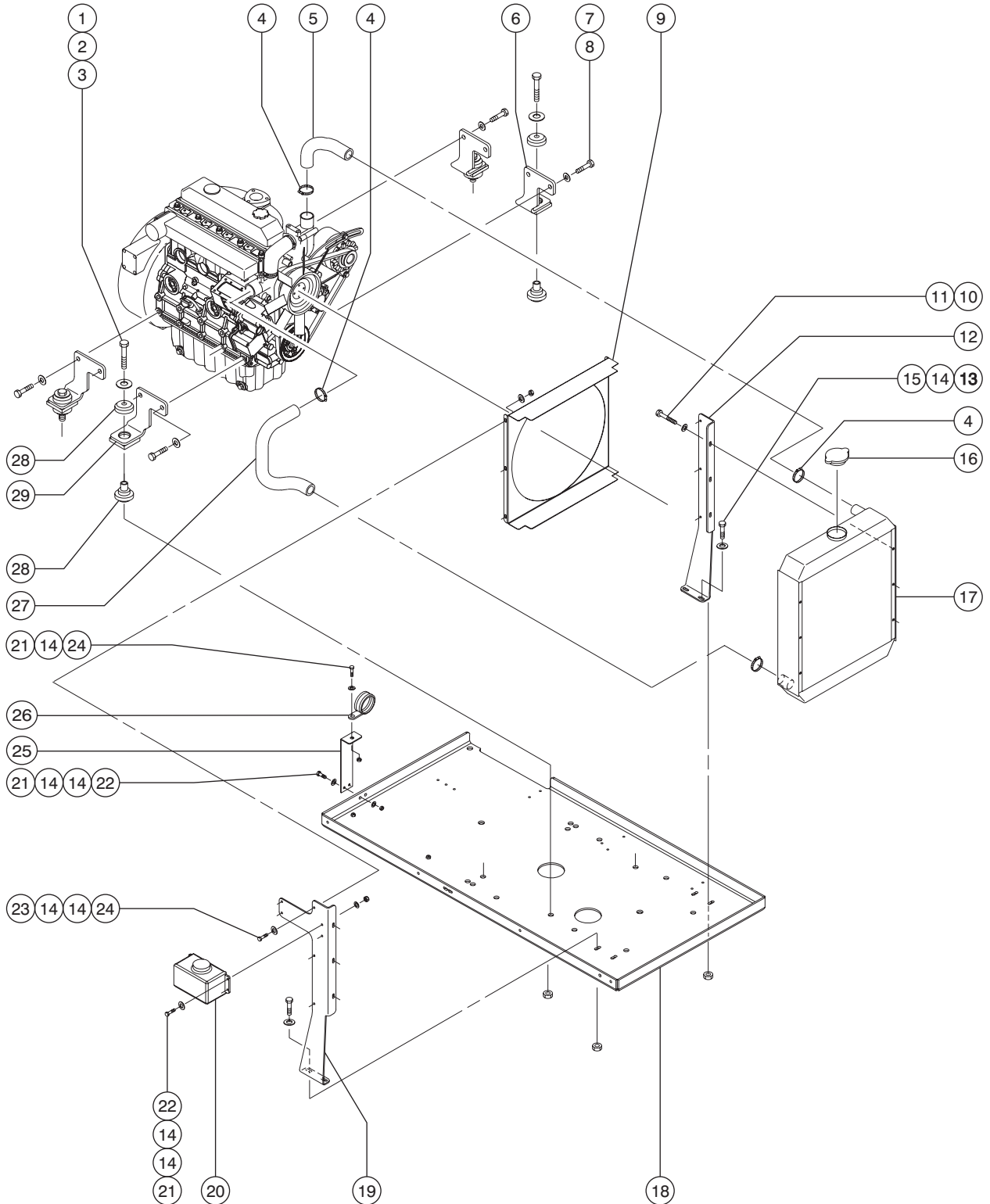
Item	Part No.	Description	Qty.
1	49517	Engine Oil Drain Plug	1
2	62421	Fuel Filter	1
3	65500	Fuel Lift Pump	1
—	65501	Fitting Kit	
—	53948	Fitting Adapter	
4	65497	Dipstick	1
5	62422	Oil Filter	1
6	65498	Oil Filler Cap	1
7	30810	Oil Pressure Sending Unit	1
8	53951	Female Adapter, $\frac{3}{4}$ -16	1
9	53945	Hose Clamp, 3.25 inches	5
10	34164	Elbow Hose, 90°	1
11	63463	Air Filter Housing	1
—	62420	Element - Air Filter	
12	53952	Air Filter Mount Bracket (includes mounting fasteners)	1
13	6584	Shoulder Bolt, $\frac{1}{4}$ x 0.625 inch	
14	5365	Nylock Nut, 10-24	
15	21130	Clevis, $\frac{1}{4}$ -28	1
16	21496	Nut, $\frac{1}{4}$ -28	
17	30785-1000	Threaded Rod, $\frac{1}{4}$ -28 x 10 inches	1
18	6888	Screw - HHC, $\frac{1}{4}$ -20 x 1 inch, GR 5	
19	6638	Flat Washer, $\frac{1}{4}$ inch	
20	29073	2 Speed Solenoid	1
21	6090	Screw - HHC, $\frac{1}{4}$ -20 x 0.75 inch, GR 5	
22	81199	Fuel Filter / Water Separator	1
—	65853	Filter Element	
23	63399P	Air Filter Bracket	1
24	13002	Screw - HHC, $\frac{5}{16}$ -18 x 1 inch, GR 5	
25	5397	Flat Washer, $\frac{5}{16}$ inch	
26	6782	Nylock Nut, $\frac{5}{16}$ -18	
27	34162-3150	Air Intake Hose	1

Figure 403.1
Rev A
Description Perkins 704-30 Engine - View 3 (before serial number 7472)



Item	Part No.	Description	Qty.
1	65505	Thermostat Housing Gasket	1
2	65506	Hose Clamp	2
3	65507	Water Hose	1
4	65493	Thermostat	1
5	34058	Coolant Temperature Sending Unit	1
6	65488	Alternator Adjustment Bracket	1
7	49381	Screw - HHC, M12 -1.75 x 30 mm, GR 8.8	
8	65355	Lock Washer, M12	
9	65494	Thermostat Housing	1
10	67349	Screw - HHC, M8 -1.25 x 50 mm, GR 8.8	
11	49408	Lock Washer, M8	
12	65490	Fan	1
13	62423	V-belt	1
14	102683	Fan Pulley	1
15	65496	Crankshaft Pulley	1
16	65491	Water Pump	1
17	65492	Water Pump Gasket	1

Figure 404.1 **Rev** A **Description** Perkins 704-30 Engine - View 4 (before serial number 7472)

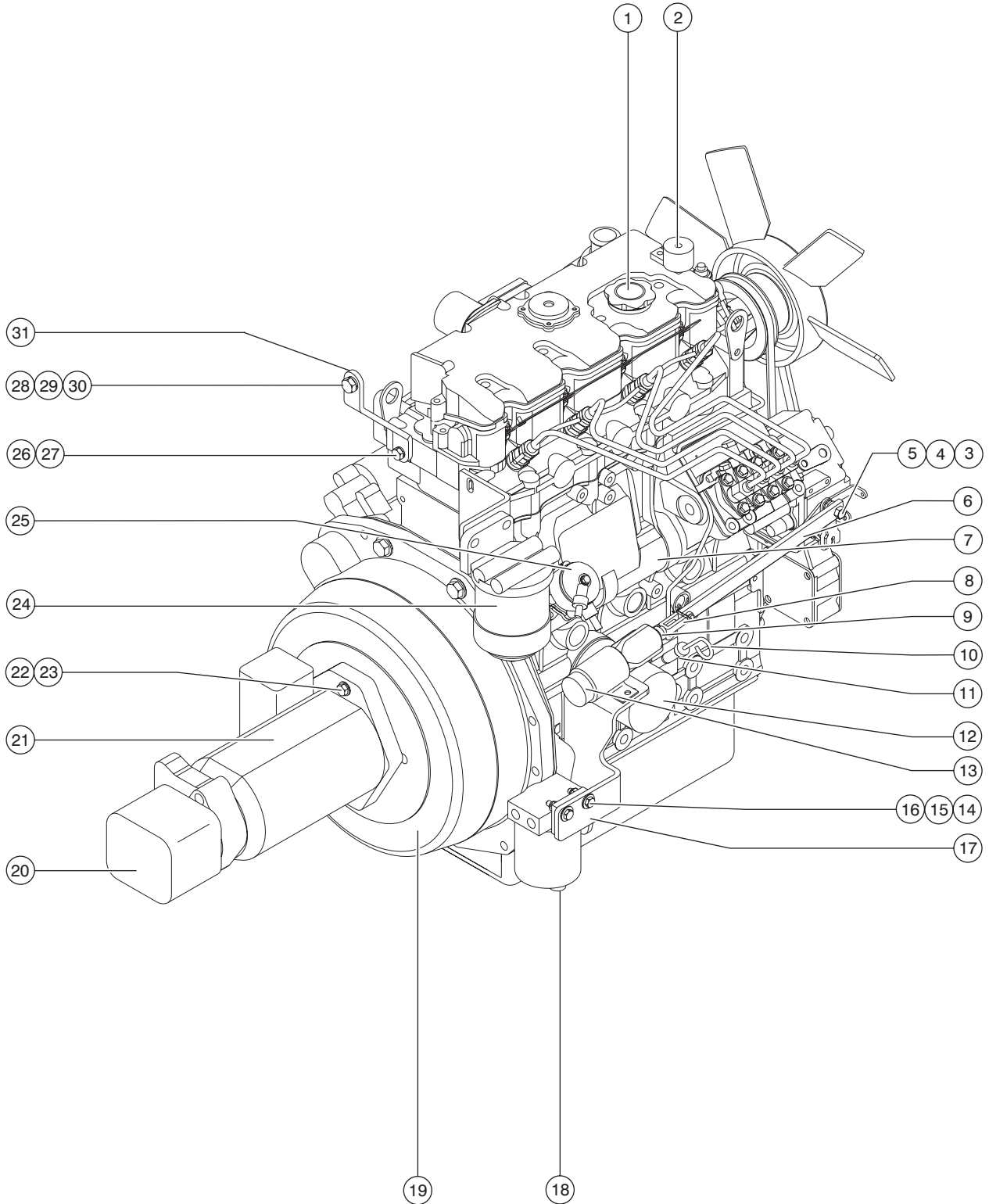


404.1
Perkins 704-30 Engine - View 4 (before serial number 7472) Rev A

Item	Part No.	Description	Qty.	Item	Part No.	Description	Qty.
1	53909	Screw - HHC, 5/8 -11 x 4 inches, GR 8	4	28	28076	Vibration Isolator	4
2	33418	Plate Washer, 5/8 x 2.25 x 0.187 inch		29	63419	Outboard Engine Mount	2
3	6024	Nylock Nut, 5/8 -11					
4	21465	Hose Clamp, 0.5 inch	4				
5	63413	Radiator Upper Hose	1				
6	63418	Inboard Engine Mount	1				
7	49384	Screw - HHC, M14 -2 x 30 mm, GR 8.8					
8	37505	Lock Washer, M14					
9	63364P	Fan Shroud	1				
10	13002	Screw - HHC, 5/16 -18 x 1 inch, GR 5					
11	5397	Flat Washer, 5/16 inch					
12	63362P	Inboard Radiator Mount	1				
13	6175	Screw - HHC, 3/8 -16 x 1 inch, GR 5					
14	6638	Flat Washer, 1/4 inch					
15	7713	Nylock Nut, 3/8 -16					
16	65473	Radiator Cap	1				
17	63462	Radiator	1				
18	Ref.	Engine Tray (refer to 423.1)					
19	63363P	Outboard Radiator Mount	1				
20	54071	Coolant Return Tank with Hose ...	1				
—	72327	Return Tank Cap					
21	6090	Screw - HHC, 1/4 -20 x 0.75 inch, GR 5					
22	6889	Low Profile Nylock Nut, 1/4 -20					
23	6888	Screw - HHC, 1/4 -20 x 1 inch, GR 5					
24	6091	Nylock Nut, 1/4 -20					
25	63457P	Air Intake Bracket	1				
26	45455	Rubber Cushioned Clamp, 2.75 inches	1				
27	63414	Lower Radiator Hose	1				



Figure 405.1 **Rev** D **Description** Perkins 404-22 Engine - View 1 (after serial number 7471)

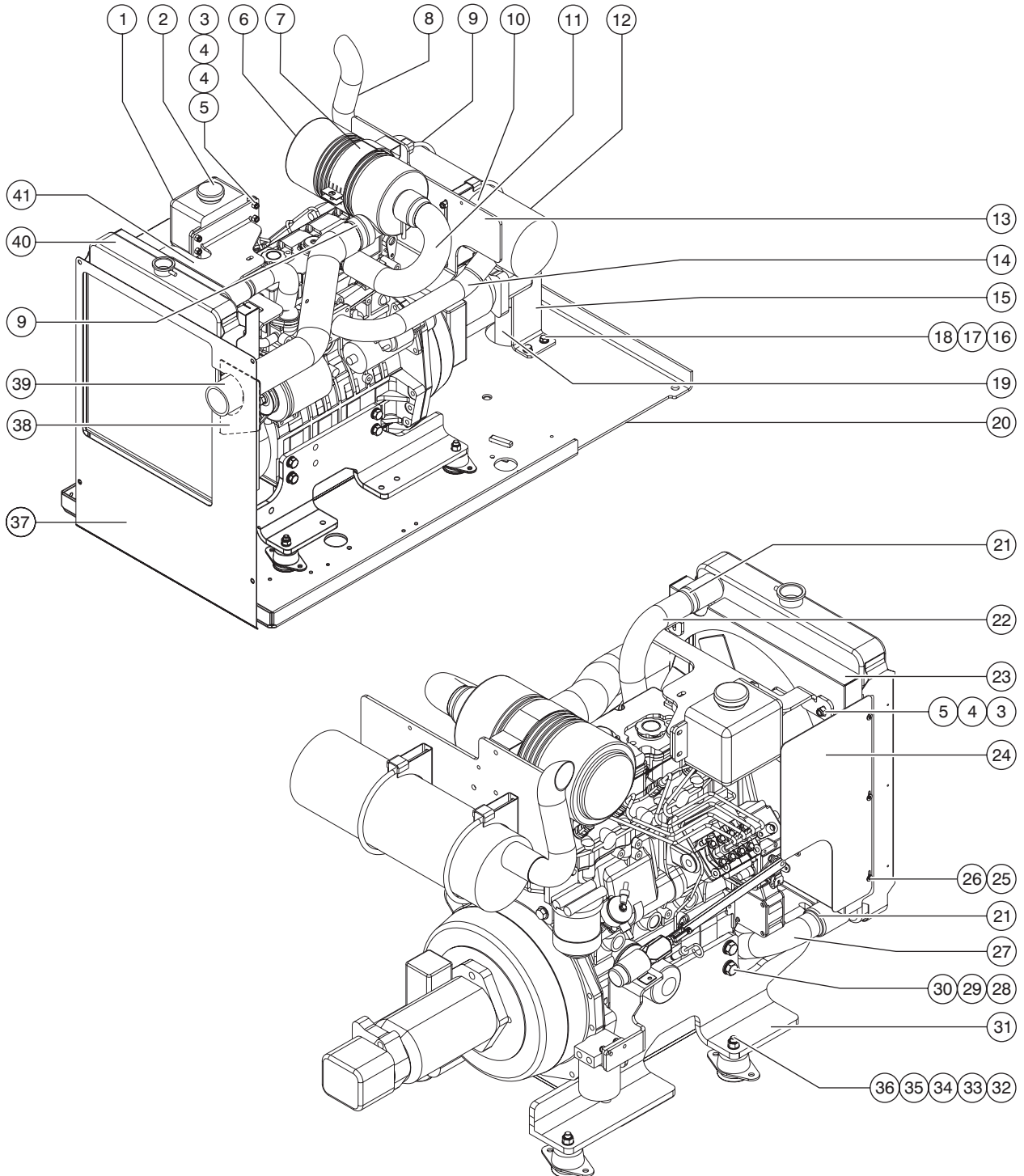


405.1
Perkins 404-22 Engine - View 1 (after serial number 7471) Rev D

Item	Part No.	Description	Qty.	Item	Part No.	Description	Qty.
—	77736	Glow Plug		22	6096	Screw - HHC, 1/2 -13 x 2 inches, GR 5	
—	94890	Engine Operator's Manual		23	6033	Lock Washer, 1/2 inch	
—	Ref.	Engine Harness (refer to 311.1)		24	94889	Fuel Filter Assembly 1	
1	89758	Oil Cap	1	—	62421	Filter Element	
2	60585	Isolator, M8	1	25	72348	Fuel Lift Pump	1
3	13022	Screw, HHC, 5/16 -18 x 1 inch		—	65912	O-ring	
4	5397	Flat Washer, 5/16 inch		26	23057	Screw - HHC, M8 -1.25 x 20 mm, GR 8.8	
5	6002	Nylock Nut, 5/16 -18		27	49408	Lock Washer, M8	
6	89953	Throttle Linkage	1	28	6019	Screw - HHC, 3/8 -16 x 1.25 inches, GR 5	
7	72350	Shut-off Solenoid (before serial number 9559)	1	29	6097	Flat Washer, 3/8 inch	
—	111031	Shut-off Solenoid (after serial number 9558)		30	4828	Nylock Nut, 3/8 -16	
8	21130	Clevis, 1/4 -28	1	31	88992P	Muffler Support Bracket	1
9	21496	Nut, 1/4 -20					
10	89759	Oil Dipstick	1				
11	72337	Oil Pressure Switch (before serial number 9559)	1				
—	111027	Oil Pressure Switch (after serial number 9558)					
12	94762	Oil Filter	1				
13	77402	Throttle Solenoid	1				
14	8915	Screw - HHC, 1/4 -20 x 1.25 inches, GR 5					
15	6638	Flat Washer, 1/4 inch					
16	6091	Nylock Nut, 1/4 -20					
17	94378P	Fuel/Water Separator Bracket	1				
18	75020	Fuel/Water Separator	1				
—	62433	Filter Element					
19	54573	Bell Housing Kit	1				
—	29749	Pump Coupler, 15 Tooth					
—	89771	Pump Mount Housing					
—	89772	Coupler Flex Plate					
—	89773	Hardware Kit					
20	Ref.	Function Pump (refer to 706.1)					
21	Ref.	Drive Pump (refer to 706.1)					



Figure 406.1 **Rev** B **Description** Perkins 404-22 Engine - View 2 (after serial number 7471)

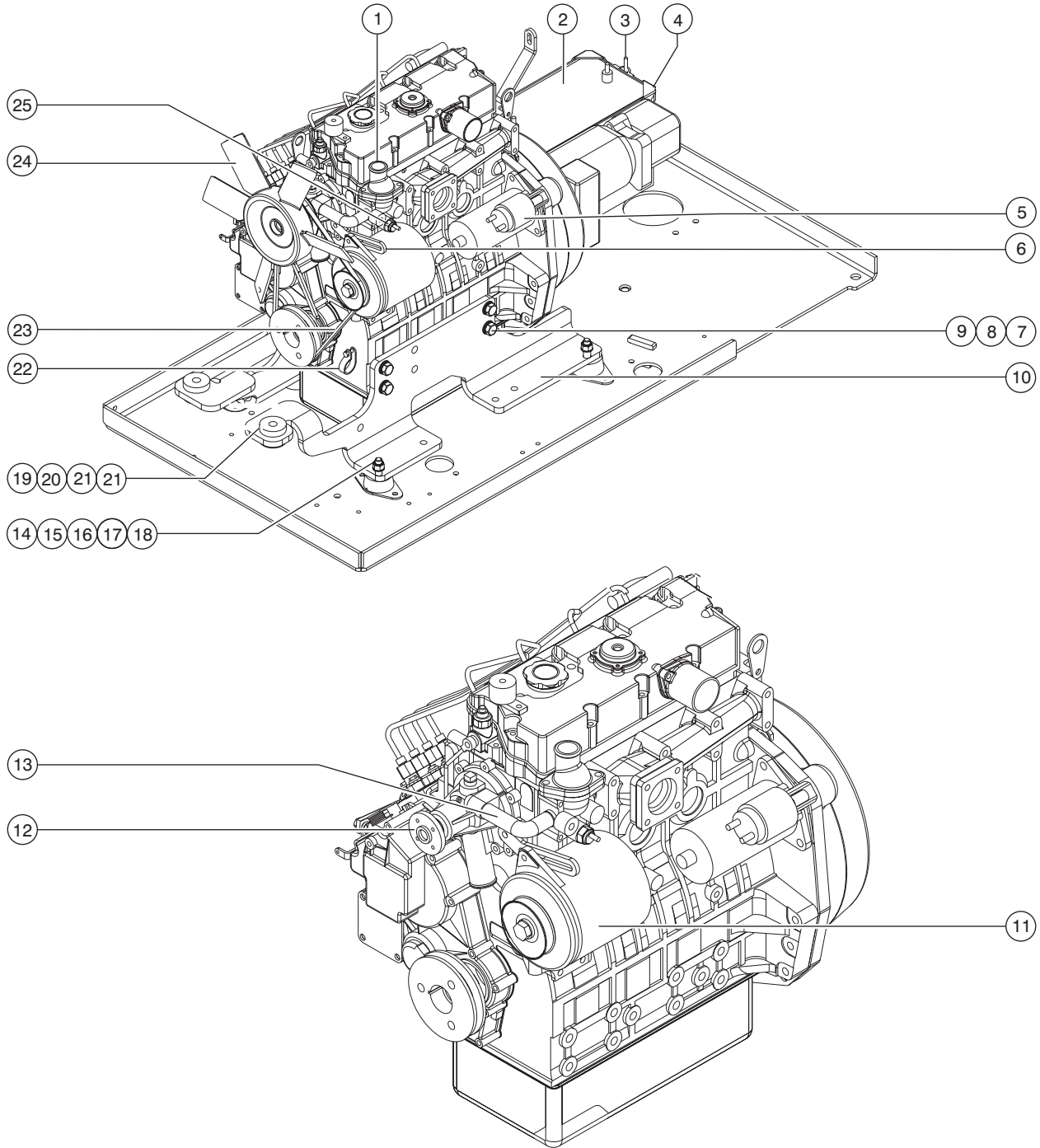


406.1
Perkins 404-22 Engine - View 2 (after serial number 7471) Rev B

Item	Part No.	Description	Qty.	Item	Part No.	Description	Qty.
1	54071	Coolant Return Tank with Hose ...	1	21	13014	Clamp, 2.25 inches	3
—	6833	Coolant Return Clamp		22	54578	Upper Radiator Hose	1
2	72327	Return Tank Cap	1	23	88990P	Radiator Fan Shroud	1
3	6888	Screw - HHC, 1/4 -20 x 1 inch, GR 5		24	54487P	Fan Guard	1
4	6638	Flat Washer, 1/4 inch		25	21019	Screw - PHPM, 10-24 x 0.5 inch	
5	6091	Nylock Nut, 1/4 -20		26	6146	Flat Washer, #10	
6	63463	Air Filter Assembly	1	27	54579	Lower Radiator Hose	1
—	62420	Air Filter Element		28	54687	Screw - HHC, M14 -1.5 x 40 mm, GR 8.8	
—	6782	Nylock Nut, 5/16 -18		29	37505	Lock Washer, M14	
—	5397	Flat Washer, 5/16 inch		30	49411	Flat Washer, M14	
—	6888	Screw - HHC, 1/4 -20 x 1 inch, GR 5		31	88988P	Outboard Engine Mount	1
7	53952	Air Cleaner Bracket	1	32	6198	Nylock Nut, 1/2 -13	
8	89901	Exhaust Tailpipe	1	33	39479	Screw - HHC, 1/2 -13 x 2.75 inches, GR 5	
9	88933	Muffler Strap	2	34	70452	Engine Vibration Isolator	4
10	45435	Clamp, 3 inches	3	35	80150	Flat Washer, 1/2 inch	
11	88847	Air Cleaner Outlet Hose	1	36	102066P	Cast Washer	
12	88841	Muffler	1	37	89929P	Radiator Baffle	1
—	70385	Clamp, 2 inches		38	89900P	Intake Hose Support	1
13	88991P	Muffler Mount	1	—	21019	Screw - PHPM, 10-24 x 0.5 inch	
14	111390	Exhaust Pipe	1	—	6146	Flat Washer, #10	
—	88844	Exhaust Pipe Flange		—	6607	Lock Washer, #10	
—	94888	Exhaust Manifold		39	88846	Air Cleaner Inlet Hose	1
—	72343	Exhaust Manifold Gasket		40	110304	Radiator	1
—	72344	Stud, M8 x 1.25 x 35 mm		—	65473	Radiator Cap	
—	62845	Flanged, Nut, M8		41	88989P	Upper Radiator Support Bracket	1
15	89596P	Medium Pressure Filter Bracket ...	1				
16	6019	Screw - HHC, 3/8 -16 x 1.25 inches, GR 5					
17	5397	Flat Washer, 5/16 inch					
18	4828	Nylock Nut, 3/8 -16					
19	77139	Medium Pressure Filter Assembly	1				
—	60857	Filter Element, 3 micron					
20	Ref.	Engine Tray (refer to 423.1)					



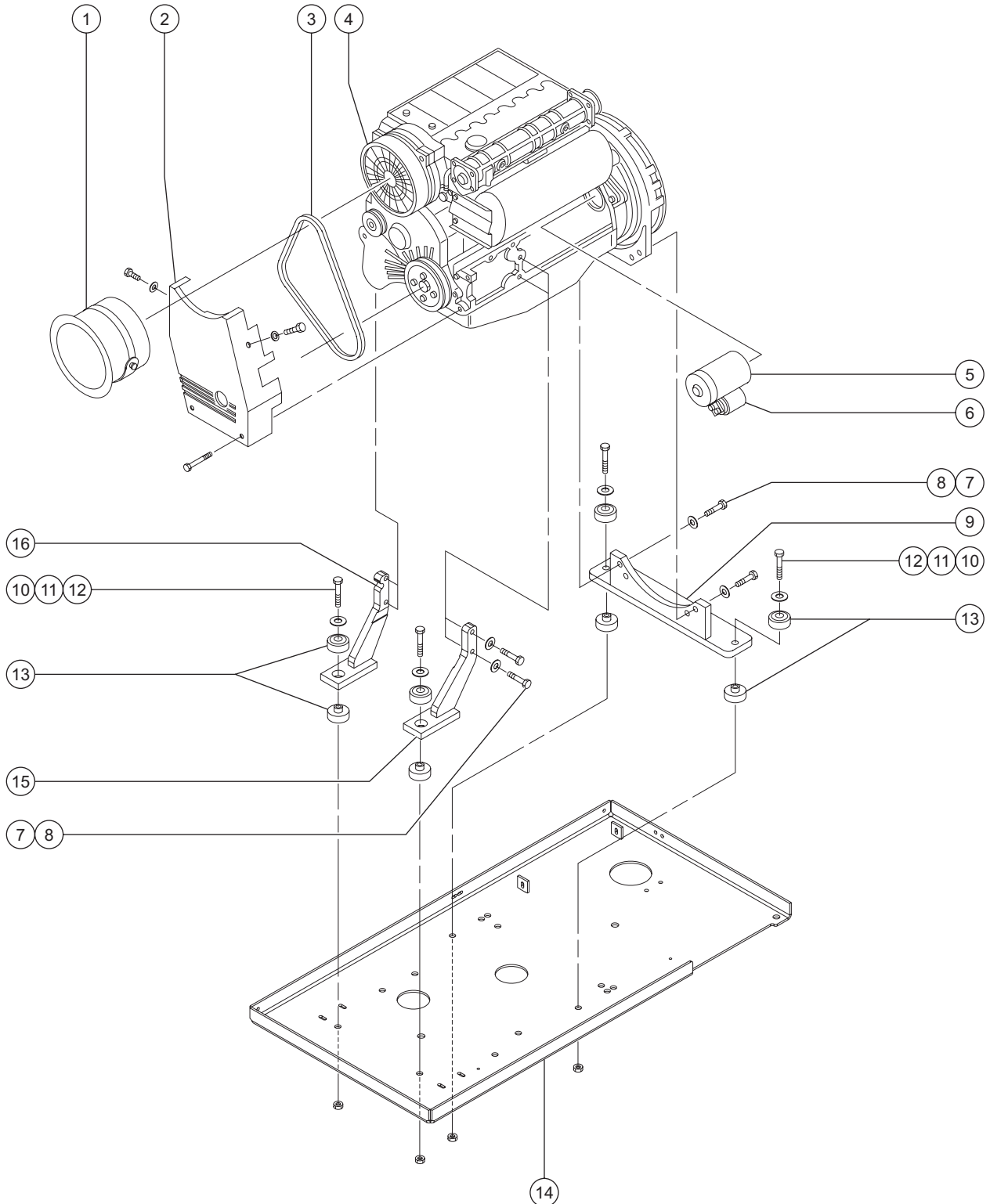
Figure	Rev	Description
407.1	E	Perkins 404-22 Engine - View 3 (after serial number 7471)



Item	Part No.	Description	Qty.
1	77476	Thermostat Housing	1
2	Ref.	Battery (refer to 423.1)	
3	8170	Wing Nut, 1/4 -20	2
—	6638	Flat Washer, 1/4 inch	
—	45704	Threaded Rod, 10 inches	
4	30144	Battery Hold Down	1
5	72335	Starter	1
—	77479	Starter Solenoid	
6	89762	Alternator Bracket	1
7	54687	Screw - HHC, M14 -1.5 x 40 mm, GR 8.8	
8	37505	Lock Washer, M14	
9	49411	Flat Washer, M14	
10	88987P	Inboard Engine Mount	1
11	72342	Alternator, 13.8V DC, 55 A (before serial number 9559)	1
—	111029	Alternator, 13.8V DC, 65 A (after serial number 9558)	
12	89763	Water Pump	1
—	77482	Water Pump Pulley	
13	89764	Water Pump Hose	1
14	6198	Nylock Nut, 1/2 -13	
15	39479	Screw - HHC, 1/2 -13 x 2.75 inches, GR 5	
16	70452	Engine Vibration Isolator	4
17	80150	Flat Washer, 1/2 inch	
18	102066P	Cast Washer	
19	6097	Flat Washer, 3/8 inch	
20	4828	Nylock Nut, 3/8 -16	
21	24038	Vibration Isolator	4
22	6653	Clamp, 1.88 inches	1
23	89765	V-belt	1
24	77483	Fan	1
—	94886	Fan Spacer	
25	72339	Water Temperature Switch (before serial number 9559)	1
—	111028	Water Temperature Switch (after serial number 9558)	

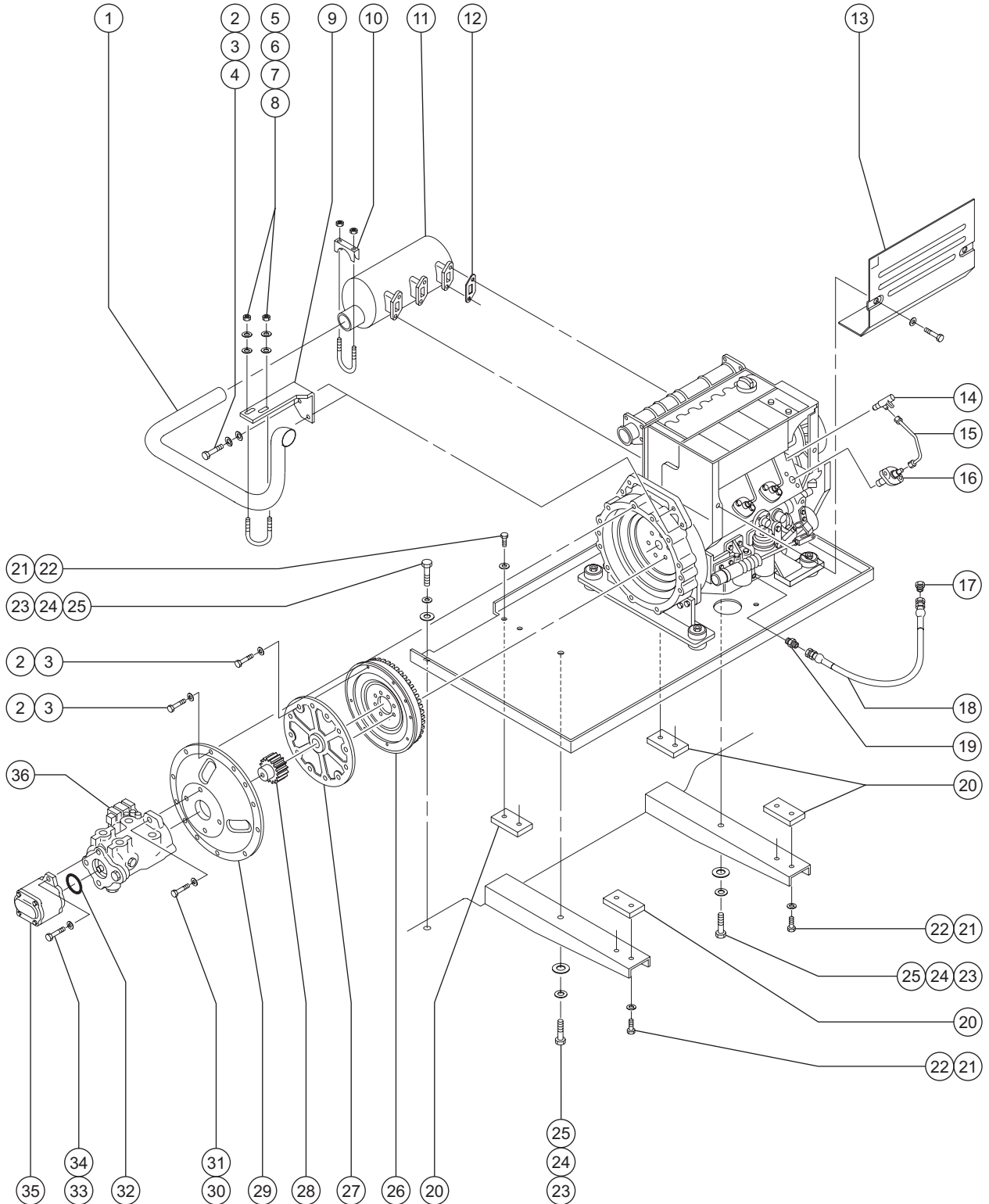


Figure 408.1 **Rev** C **Description** Deutz F3L 1011F Engine - View 1 (before serial number 7544)



Item	Part No.	Description	Qty.
—	Ref.	Engine Harness (refer to 311.1)	
1	111343	Fan Guard Assembly with Word Decals	1
—	35498	Fan Guard Assembly	
2	29555	Engine Pulley Cover	1
3	32698	V-belt	1
4	35586	Alternator	1
5	37950	Starter	1
6	49915	Starter Solenoid	1
7	89259	Screw - HHC, M14 x 2 x 55 mm, GR 8.8	
8	37505	Lock Washer, M14	
9	89529	Engine Mount	1
10	53909	Screw - HHC, 5/8 -11 x 4 inches, GR 8	4
11	33418	Plate Washer, 5/8 x 2.25 x 0.187 inch	
12	6024	Nylock Nut, 5/8 -11	
13	28076	Shock Mount, Red & White	8
14	Ref.	Engine Tray (refer to 423.1)	
15	89527	Inboard Engine Mount	1
16	89528	Outboard Engine Mount	1

Figure 409.1 **Rev** B **Description** Deutz F3L 1011F Engine - View 2 (before serial number 7544)

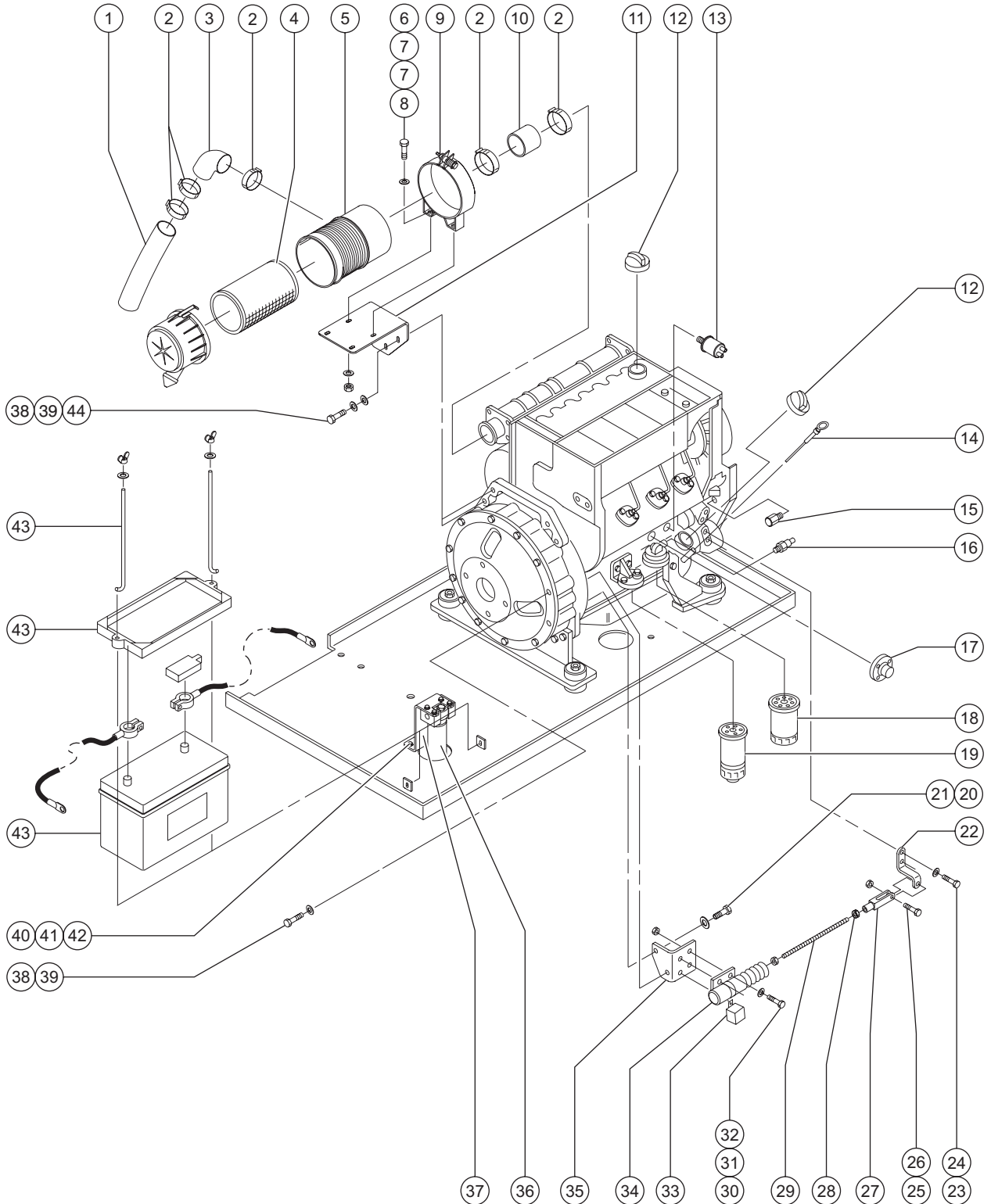


409.1
Deutz F3L 1011F Engine - View 2 (before serial number 7544) Rev B

Item	Part No.	Description	Qty.	Item	Part No.	Description	Qty.
1	34551	Exhaust Pipe	1	31	6033	Lock Washer, 1/2 inch	
2	44064	Screw - HHC, M10 -1.5 x 30 mm, GR 8.8		32	83141	O-ring	1
3	22700	Lock Washer, M10		33	6175	Screw - HHC, 3/8 -16 x 1 inch, GR 5	
4	6097	Flat Washer, 3/8 inch		34	6021	Lock Washer, 3/8 inch	
5	6037	Nut, 5/16 -18		35	Ref.	Function Pump (refer to 706.1)	
6	6886	Lock Washer, 5/16 inch		36	Ref.	Drive Pump (refer to 706.1)	
7	5397	Flat Washer, 5/16 inch					
8	16584	U-bolt, 5/16 -18 x 2.5 inches	1				
9	30674-S	Exhaust Pipe Support Bracket	1				
10	30438	Muffler Clamp, 2.125 inches	1				
11	32695	Muffler	1				
12	29559	Exhaust Gasket	3				
13	52353	Engine Side Cover	1				
14	49919	Fuel Injector	1				
15	49921	Injector Fuel Line	3				
16	49929	Injector Pump	1				
17	49517	Male Plug	1				
18	49135-3389-S	Hose Assembly - Components: Genie part numbers 48812, 48819 and 48753 @ 32 inches	1				
19	48884	Fitting	1				
20	45209	Wear Pad, 4 x 2 x 0.5 inch	4				
21	6090	Screw - HHC, 1/4 -20 x 0.75 inch, GR 5					
22	6356	Lock Washer, 1/4 inch					
23	29883	Screw - HHC, 5/8 -11 x 1.75 inches, GR 8	4				
24	6036	Lock Washer, 5/8 inch					
25	13064	Flat Washer, 5/8 inch					
26	49917	Ring Gear	1				
27	33024	Flexplate	1				
28	37003	Pump Coupler	1				
29	30806	Pump Mount Plate	1				
30	6096	Screw - HHC, 1/2 -13 x 2 inches, GR 5					

The length listed in the component description is the length of the hose only. Refer to 713.1 to cross-reference Genie part numbers to Parker part numbers.

Figure 410.1 **Rev** D **Description** Deutz F3L 1011F Engine - View 3 (before serial number 7544)

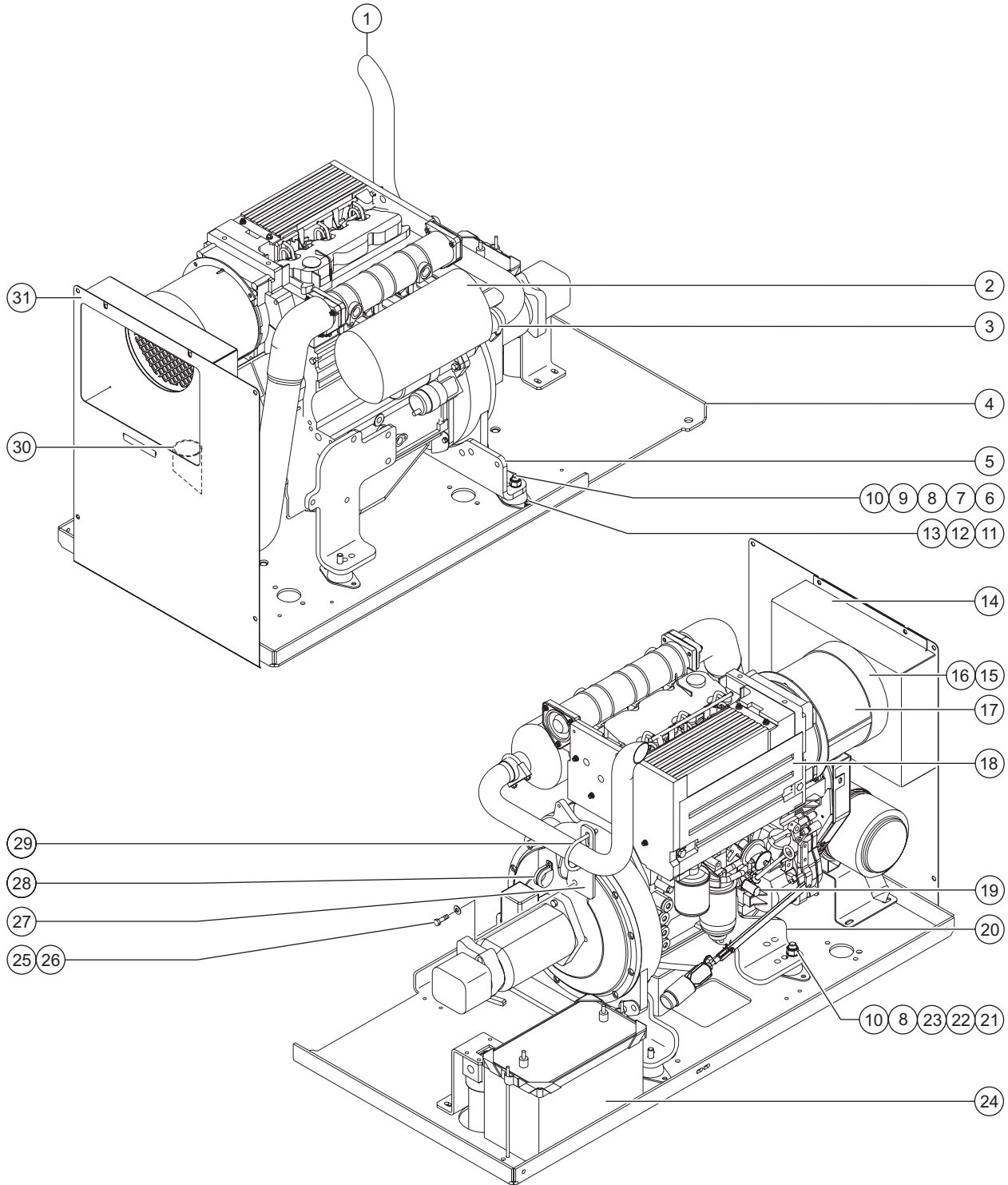


410.1
Deutz F3L 1011F Engine - View 3 (before serial number 7544) Rev D

Item	Part No.	Description	Qty.	Item	Part No.	Description	Qty.
1	34162-3150	Air Intake Hose, 2.5 inches	1	30	6090	Screw - HHC, 1/4 -20 x 0.75 inch, GR 5	
2	53945	Hose Clamp, 3 inches	5	31	6638	Flat Washer, 1/4 inch	
3	34164	Rubber Elbow, 90°	1	32	6889	Low Profile Nylock Nut, 1/4 -20	
4	62420	Air Filter Element	1	33	60521	Relay, 30/40 A	1
5	63463	Air Filter Assembly (includes item 4)	1	—	73993	Harness, RPM Solenoid Relay	
6	6175	Screw - HHC, 3/8 -16 x 1 inch, GR 5		34	29073	2 Speed Solenoid	1
7	6097	Flat Washer, 3/8 inch		—	52537	Boot	
8	7713	Nylock Nut, 3/8 -16		35	33241P	Mount Bracket	1
9	53952	Air Cleaner Bracket	1	36	77139	Medium Pressure Filter Assembly	1
10	30967	Air Intake Hose, 2.75 I.D. x 2.25 inches	1	—	61326	Fiberglass Element, 10 Micron	
11	30769P	Air Cleaner Mount	1	37	89596P	Medium Pressure Filter Bracket ...	1
12	29557	Oil Filler Cap	1	38	44064	Screw - HHC, M10 -1.5 x 30 mm, GR 8.8	
13	65765	Oil Pressure Sending Unit	1	39	22700	Lock Washer, M10	
14	52352	Dipstick	1	40	6019	Screw - HHC, 3/8 -16 x 1.25 inches, GR 5	
15	32752	Fuel Shut Off Solenoid	1	41	5397	Flat Washer, 5/16 inch	
—	72255	Connector - Solenoid Switch		42	4828	Nylock Nut, 3/8 -16	
16	102686	Oil Temperature Sending Unit	1	43	Ref.	Battery (refer to 423.1)	
17	49923	Fuel Pump	1	44	6097	Flat Washer, 3/8 inch	
18	49924	Engine Oil Filter	1				
19	29560	Fuel/Water Separator Filter	1				
20	23057	Screw - HHC, M8 -1.25 x 20 mm, GR 8.8					
21	49408	Lock Washer, M8					
22	33240P	Lever Actuator Bracket	1				
23	22578	Screw - HHC, M6 x 1 x 20 mm, GR 8.8					
24	49407	Lock Washer, M6					
25	6584	Shoulder Bolt, 1/4 x 0.625 inch					
26	5365	Nylock Nut, 10-24					
27	21130	Clevis, 1/4 -28	1				
28	21496	Nut, 1/4 -28					
29	30785-1000	Threaded Rod, 1/4 -28 x 10 inches	1				



Figure 411.1 **Rev** F **Description** Deutz F3L 2011 Engine - View 1 (after serial number 7543)

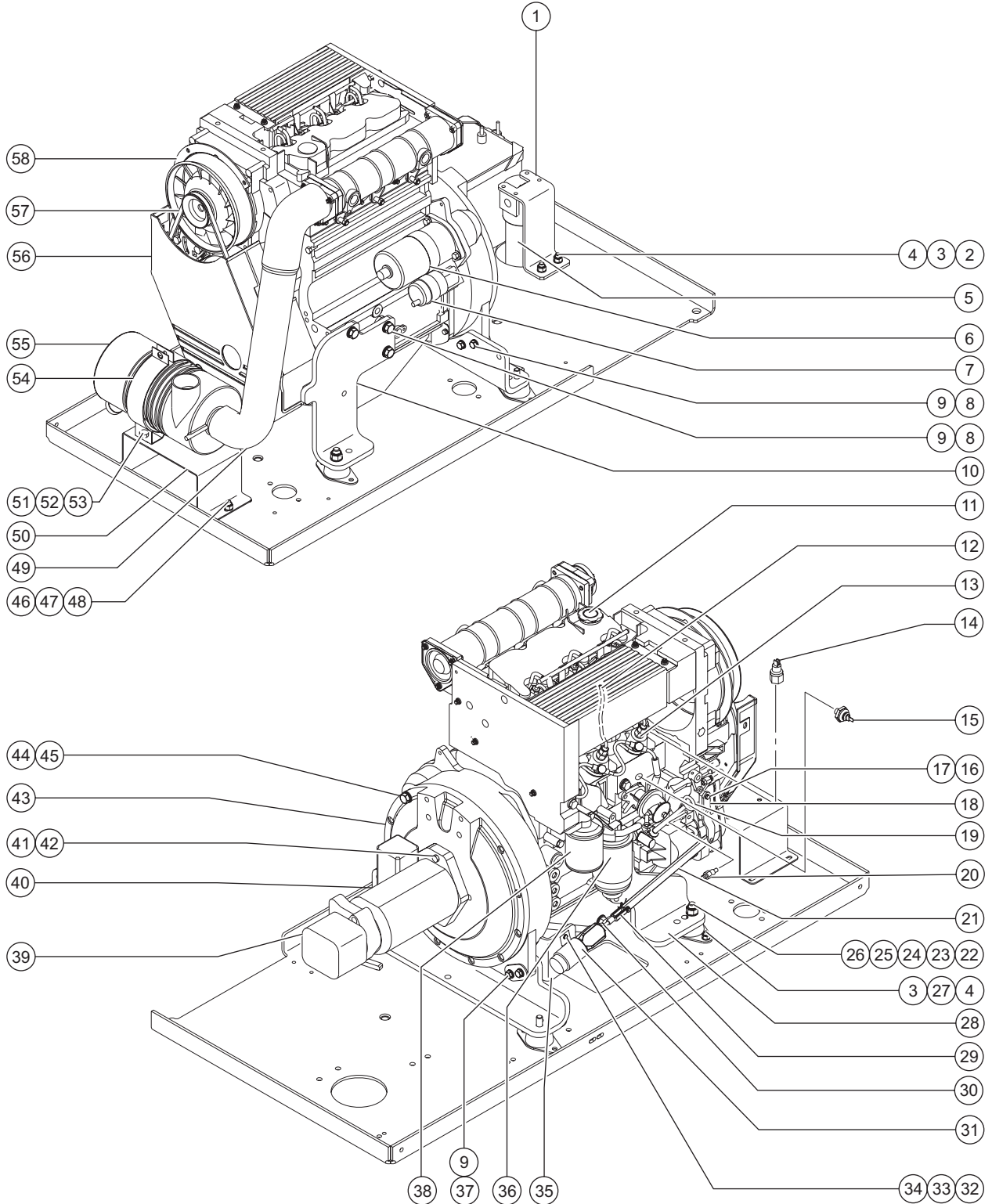


411.1
Deutz F3L 2011 Engine - View 1 (after serial number 7543) Rev F

Item	Part No.	Description	Qty.	Item	Part No.	Description	Qty.
—	Ref.	Engine Harness (refer to 311.1)		22	6019	Screw - HHC, 3/8 -16 x 1.25 inches, GR 5	
—	31408	Glow Plug		23	6021	Lock Washer, 3/8 inch	
—	70496	Inline Fuel Strainer (before serial number 10833)		24	Ref.	Battery (refer to 423.1)	
—	119344	Primer Bulb Kit (before serial number 10833)		25	33987	Screw - HHC, 1/2 -13 x 1 inch, GR 5	
1	102092	Exhaust Pipe	1	26	6033	Lock Washer, 1/2 inch	
2	89774	Muffler	1	27	102091P 85053	Exhaust Pipe Mount	1
3	89775	Clamp	1		22700	Screw - HHC, M10 -1.5 x 70 mm, GR 8.8	
4	Ref.	Engine Tray (refer to 423.1)				Lock Washer, M10	
5	70459P	Rear Engine Mount.....	1	28	61109	Rubber Cushioned Clamp, 1.25 x 0.438 inch	2
6	6198	Nylock Nut, 1/2 -13		29	16584	Clamp	2
7	39479	Screw - HHC, 1/2 -13 x 2.75 inches, GR 5		30	34162-475	Air Intake Hose, 2 1/2 I.D.	1
8	70452	Engine Isolator	4	31	89912P	Engine Baffle	1
9	6095	Flat Washer, 1/2 inch					
10	102066P	Cast Washer					
11	4828	Nylock Nut, 3/8 -16					
12	6175	Screw - HHC, 3/8 -16 x 1 inch, GR 5					
13	5397	Flat Washer, 5/16 inch					
14	89911P	Cold Air Intake	1				
15	33239	Air Intake Rubber.....	1				
16	31523	Clamp	1				
17	111334	Air Intake Tube with Word Decals	1				
—	50579P	Air Intake Tube					
18	89776	Engine Cover (includes mounting fasteners)	1				
19	102497	Fuel Lift Pump (before serial number 10833)	1				
—	111668	Fuel Lift Pump (with hand priming pump) (after serial number 10832)					
—	111402	O-ring, Fuel Lift Pump					
20	70460P	Outboard Engine Mount	1				
—	22558	Screw - HHC, M14 x 40 mm, GR 8.8					
—	37505	Lock Washer, M14					
21	6782	Nylock Nut, 5/16 -18					



Figure 412.1 **Rev** E **Description** Deutz F3L 2011 Engine - View 2 (after serial number 7543)

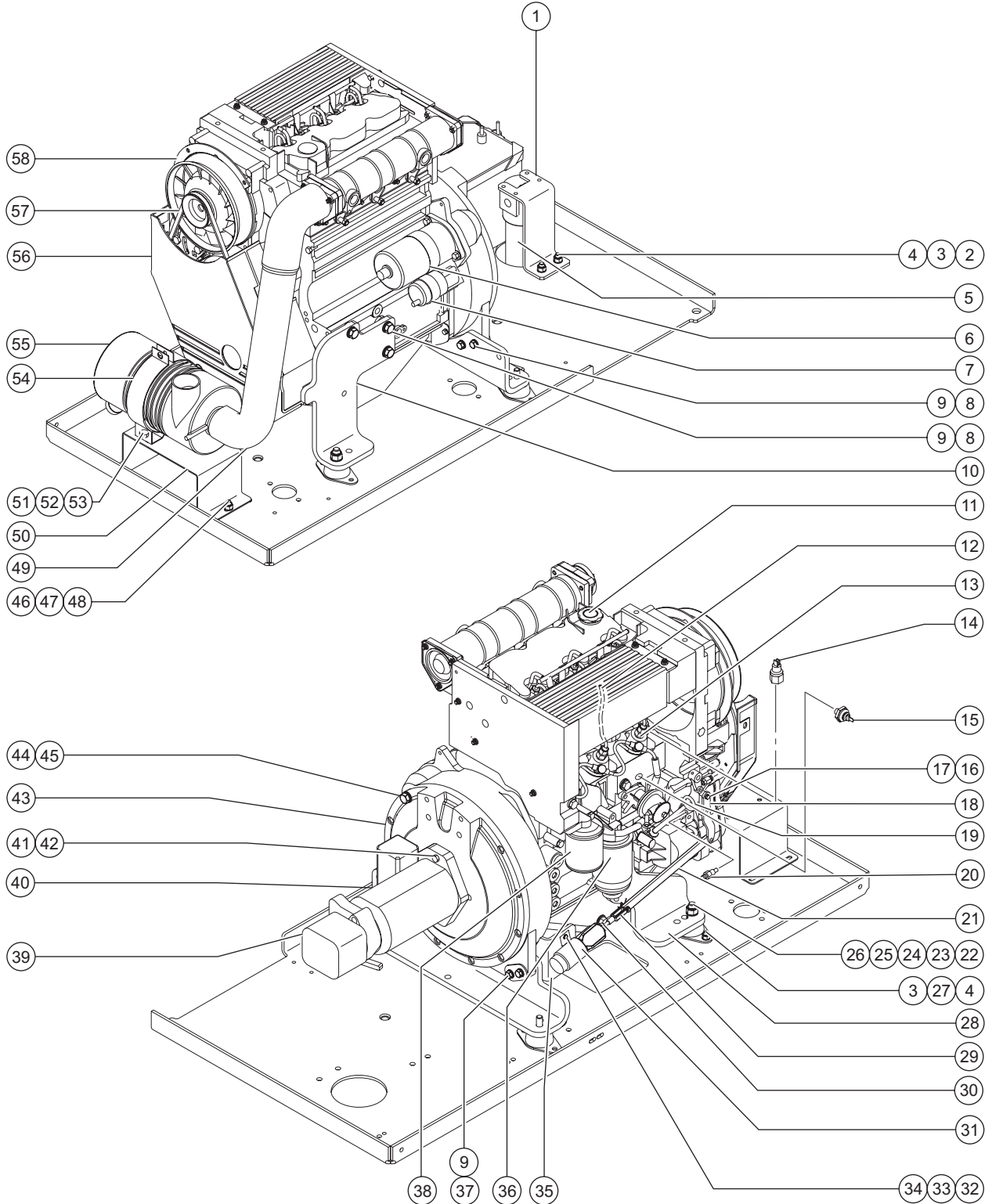


412.1
Deutz F3L 2011 Engine - View 2 (after serial number 7543) Rev E

Item	Part No.	Description	Qty.	Item	Part No.	Description	Qty.
1	89596P	Medium Pressure Filter Bracket ...	1	27	6175	Screw - HHC, 3/8 -16 x 1 inch, GR 5	
2	6019	Screw - HHC, 3/8 -16 x 1.25 inches, GR 5		28	70460P	Outboard Engine Mount	1
3	5397	Flat Washer, 5/16 inch		29	21130	Clevis Yoke, 1/4 -28	1
4	4828	Nylock Nut, 3/8 -16		30	21496	Hex Nut, 1/4 -20	
5	77139	Medium Pressure Filter Assembly	1	31	77402	Throttle Actuator Solenoid	1
—	60857	Filter Element, 3 micron		32	6888	Screw - HHC, 1/4 -20 x 1 inch, GR 5	
6	89777	Starter	1	33	6638	Flat Washer, 1/4 inch	
7	89778	Starter Solenoid	1	34	6091	Nylock Nut, 1/4 -20	
8	22558	Screw - HHC, M14 -2 x 40 mm, GR 8.8	3	35	102067P	Solenoid Mount Bracket	1
9	37505	Lock Washer, M14		36	29560	Fuel/Water Separator Filter	1
10	70461P	Inboard Engine Mount	1	37	89259	Screw - HHC, M14 x 50 mm	
11	89779	Engine Oil Cap	1	38	49924	Oil Filter	1
12	89780	Fuel Line	3	39	Ref.	Function Pump (refer to 706.1)	
13	89791	Fuel Injection Pump	1	40	Ref.	Drive Pump (refer to 706.1)	
—	89792	Fuel Injector		41	6096	Screw - HHC, 1/2 -13 x 2 inches, GR 5	
14	111445	Oil Temperature Switch (located under cover)	1	42	6033	Lock Washer, 1/2 inch	
15	65765	Oil Pressure Switch	1	43	70381	Pump Mount Plate	1
16	22578	Screw - HHC, M6 -1 x 20 mm, GR 8.8		—	37003	Pump Coupler	
17	6356	Lock Washer, 1/4 inch		—	33024	Flexplate	
18	50787P	Governor Actuator Lever	1	—	44064	Screw - HHC, M10 -1.5 x 30 mm, GR 8.8	
19	89781	Dipstick	1	—	22700	Lock Washer, M10	
20	32752	Fuel Shut Off Switch	1	—	89785	Ring Gear	
—	89793	Fuel Shut Off Solenoid		44	61110	Screw - SHC, M10 -1.5 x 30 mm	
—	58256	Solenoid Cable Assembly		45	22700	Lock Washer, M10	
21	94485	Throttle Linkage	1	46	6888	Screw - HHC, 1/4 -20 x 1 inch, GR 5	
22	6198	Nylock Nut, 1/2 -13		47	6638	Flat Washer, 1/4 inch	
23	39479	Screw - HHC, 1/2 -13 x 2.75 inches, GR 5		48	6091	Nylock Nut, 1/4 -20	
24	70452	Engine Isolator	4	49	70375	Air Cleaner Hose	1
25	80150	Flat Washer, 1/2 inch		—	30971	Clamp, 3 inches	
26	102066P	Cast Washer		This list continues on the next page.			

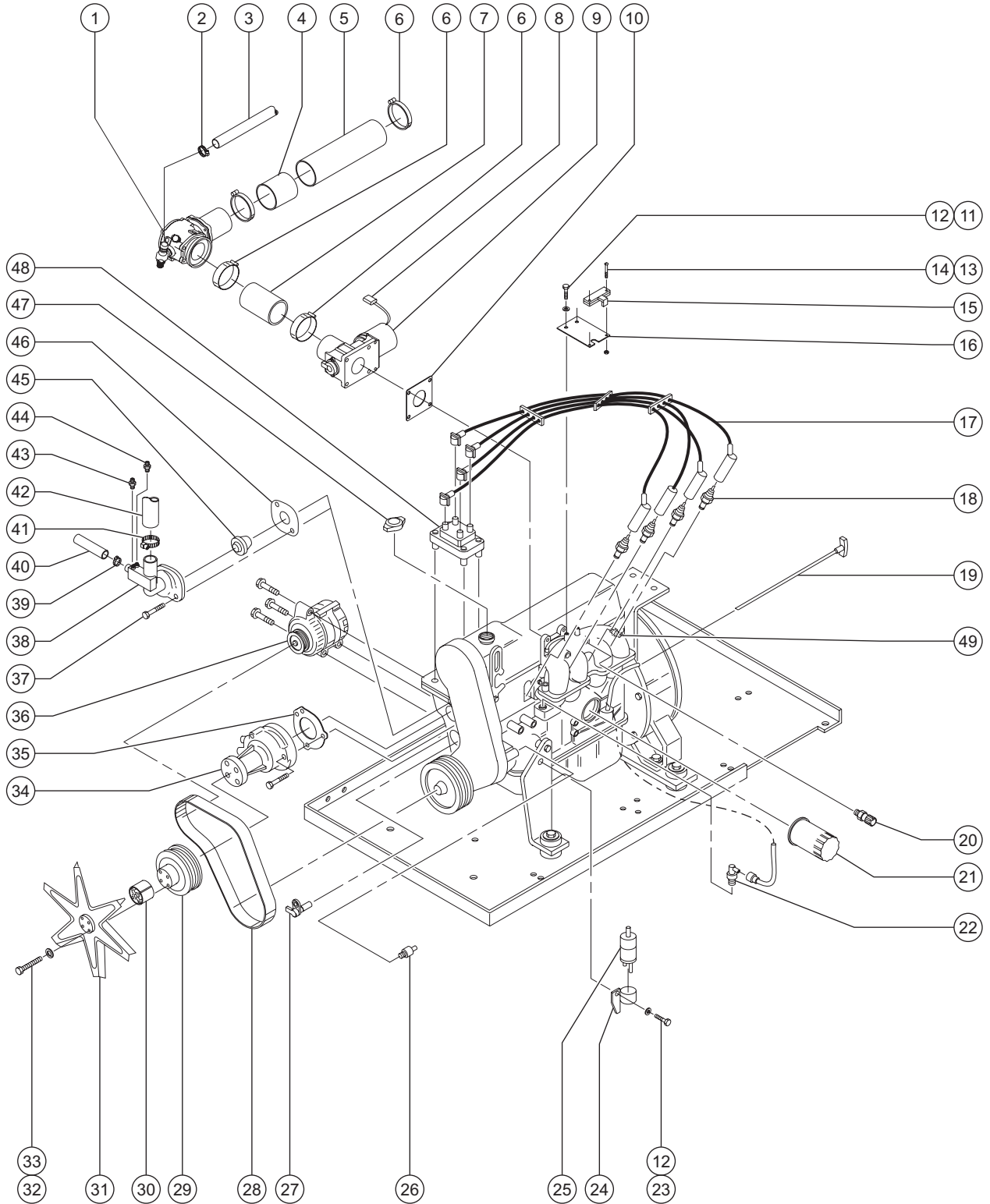


Figure 412.1 **Rev** E **Description** Deutz F3L 2011 Engine - View 2 (after serial number 7543)



Item	Part No.	Description	Qty.
50	70351P	Air Cleaner Mount.....	1
51	10107	Screw - HHC, 5/16 -18 x 0.75 inch, GR 5	
52	5397	Flat Washer, 5/16 inch	
53	6782	Nylock Nut, 5/16 -18	
54	53952	Air Cleaner Bracket	1
55	63463	Air Filter Assembly	
—	62420	Air Filter Element	
56	89786	Engine Pulley Cover	1
—	89787	Screw, M8 -20 x 8.8 inches	
—	89788	Flat Washer, M9	
57	32698	V-belt	1
58	35586	Alternator, 14V DC, 60 A	1

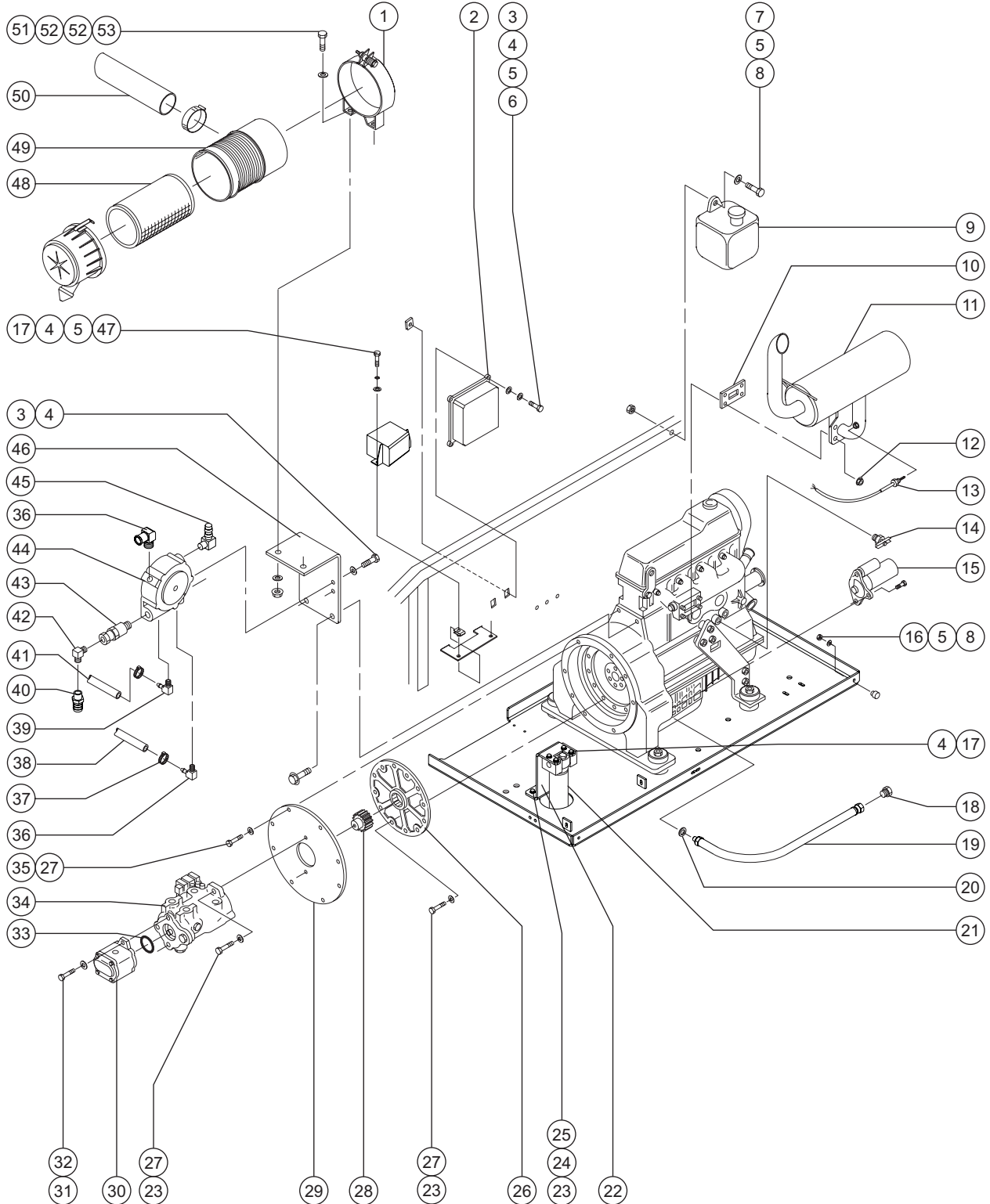
Figure 413.1 **Rev** D **Description** Ford LRG-425 EFI Engine - View 1 (before serial number 7597)



Item	Part No.	Description	Qty.	Item	Part No.	Description	Qty.
—	52695	Ford-LRG 425 EFI Workshop Manual		20	52652	Air Temperature Sensor	1
—	88761	Nolff LPG Kit, Complete		21	28656	Engine Oil Filter	1
—	94922	EFI Update Kit		22	33957	PCV Valve	1
—	48473P	Air Filter Bracket for EFI Update Kit		23	25929	Screw - HHC, M8 -1.25 x 30 mm, GR 8.8	
—	Ref.	Engine Wire Harness (refer to 311.1)		24	65453	Fuel Filter Bracket	1
1	88763	Air Valve Mixer	1	25	58967	Fuel Filter/Pressure Regulator	1
—	75471	Diaphragm Repair Kit - Air Valve Mixer		26	58900	Camshaft Position Sensor	1
—	83082	Air Horn Kit		27	33968	Crankshaft Position Sensor	1
2	46131	Clamp, 5/8 inch	1	28	52580	Serpentine Belt	1
3	81631	Non-conducting Low Pressure LPG Hose, 5/8 inch I.D.	31 inches	29	52078	Water Pump Pulley	1
4	30966-0150	Air Intake LPG Hose, 2.25 x 1.5 inches	1	30	52077	Fan Spacer	1
5	30966-0575	Air Intake Hose, 2.25 x 5.75 inches	1	31	52076	Fan	1
6	45435	Clamp, 2.5 inches	4	32	32309	Screw - HHC, M8 -1.25 x 60 mm, GR 8.8	
7	27211-0250	Air Intake Hose, 2.625 x 2.5 inches	1	33	49408	Lock Washer, M8	
8	88455	Throttle Actuator Adapter	1	34	33963	Water Pump	1
9	88451	Electronic/Throttle Position Sensor Governor	1	35	33964	Water Pump Gasket	1
—	88452	Actuator Throttle Gasket		36	33960	Alternator, 13.8V DC, 95 A	1
10	88453	Adapter Plate Gasket	1	37	65454	Flange Bolt, M6 x 22 mm	2
11	23057	Screw - HHC, M8 -1.25 x 20 mm, GR 8.8		38	52573	Thermostat Housing	1
12	49408	Lock Washer, M8		39	36208	Clamp, 1.25 inches	1
13	49817	Screw - PHPM, 10-32 x 1.25 inches		40	52762	Water Inlet Hose	1
14	6178	Nylock Nut, 10-32		41	22672	Clamp, 1.75 inches	1
15	49898	Map Sensor	1	42	33965	Upper Radiator Hose	1
16	53821P	Map Sensor Mount Bracket	1	43	33972	Coolant Temperature Sensor	1
17	52570	Spark Plug Wire Set	1	44	65456	Temperature Sending Unit	1
18	28647	Spark Plug	1	45	33966	Thermostat	1
—	52656	Fuel Injector (not shown, sold separately)		46	52575	Thermostat Housing Gasket	1
19	52566	Dipstick	1	47	49881	Oil Filler Cap	1
				48	33970	Ignition Coil	1
				49	89812	Oil Pressure Sender Assembly	1



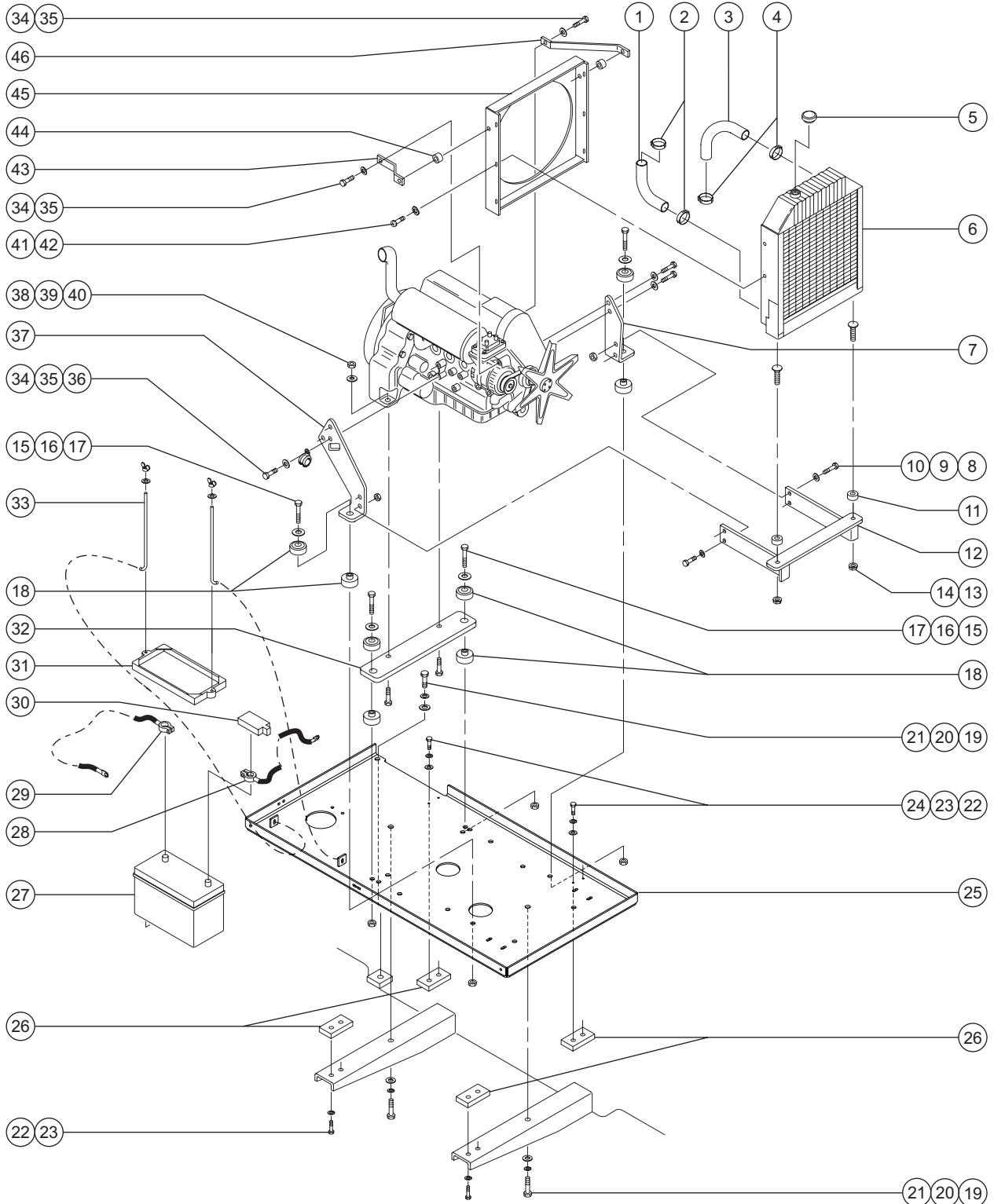
Figure 414.1 **Rev** B **Description** Ford LRG-425 EFI Engine - View 2 (before serial number 7597)



Item	Part No.	Description	Qty.	Item	Part No.	Description	Qty.
1	77296	Air Cleaner Bracket	1	28	37002	Pump Coupler	1
2	88457	Engine Performance Module	1	29	25571P	Pump Mount Plate	1
3	6888	Screw - HHC, 1/4 -20 x 1 inch		30	Ref.	Function Pump (refer to 706.1)	
4	6356	Lock Washer, 1/4 inch		31	89806	Screw - SHC, 3/8 -16 x 1.25 inches (after serial number 7318)	
5	6638	Flat Washer, 1/4 inch		32	89807	Flat Washer, 3/8 inch (after serial number 7318)	
6	25969	Spring Clip Nut, 1/4 -20		33	Ref.	O-ring (refer to 706.1)	
7	8915	Screw - HHC, 1/4 -20 x 1.25 inches, GR 5		34	Ref.	Drive Pump (refer to 706.1)	
8	6091	Nylock Nut, 1/4 -20		35	6175	Screw - HHC, 3/8 -16 x 1 inch, GR 5	
9	54071	Coolant Return Tank with Hose ...	1	36	81632	Fitting	2
—	65864	Cap (before serial number 7172)		37	36208	Clamp, 1.25 inches	2
—	72327	Cap (after serial number 7171)		38	52762	Water Inlet Hose	1
10	27142	Exhaust Gasket	1	39	81635	Fitting	1
11	77885	Muffler	1	40	81748	Fitting	1
12	65460	Locking Flange Nut	4	41	53832	Fire Resistant Hose - 5/8 inch I.D.	30 inches
13	88450	Oxygen Sensor	1	42	81749	Fitting	1
14	28717	Drain Valve	1	43	88757	LPG Shut-off Solenoid Valve with Filter, 12V DC	1
15	52565	Starter	1	44	81630	Nolff LPG Regulator	1
—	52593	Starter Solenoid		45	81634	Fitting	1
16	34619	Rubber Bumper	1	46	48473P	Air Filter Bracket	1
17	6090	Screw - HHC, 1/4 -20 x 0.75 inch, GR 5		47	25969	Spring Clip Nut, 1/4 -20	2
18	63426	Male Plug	1	48	77295	Air Filter Element	1
19	63427	Low Pressure Hose, 1/2 inch	33 inches	49	77236	Air Filter Assembly (includes items 1 and 48)	1
20	53910	Oil Drain Gasket	1	—	58247	Air Filter Cap	
21	77139	Medium Pressure Filter Assembly	1	—	102977	Plastic Hose Fitting	
—	60857	3 Micron Filter Kit		50	53124	Air Intake Hose, 2.5 x 12 inches	1
22	89596P	Filter Mount	1	51	6175	Screw - HHC, 3/8 -16 x 1 inch, GR 5	
23	6019	Screw - HHC, 3/8 -16 x 1.25 inches, GR 5		52	6097	Flat Washer, 3/8 inch	
24	5397	Flat Washer, 5/16 inch		53	7713	Nylock Nut, 3/8 -16	
25	4828	Nylock Nut, 3/8 -16					
26	33024	Flexplate	1				
27	6021	Lock Washer, 3/8 inch					



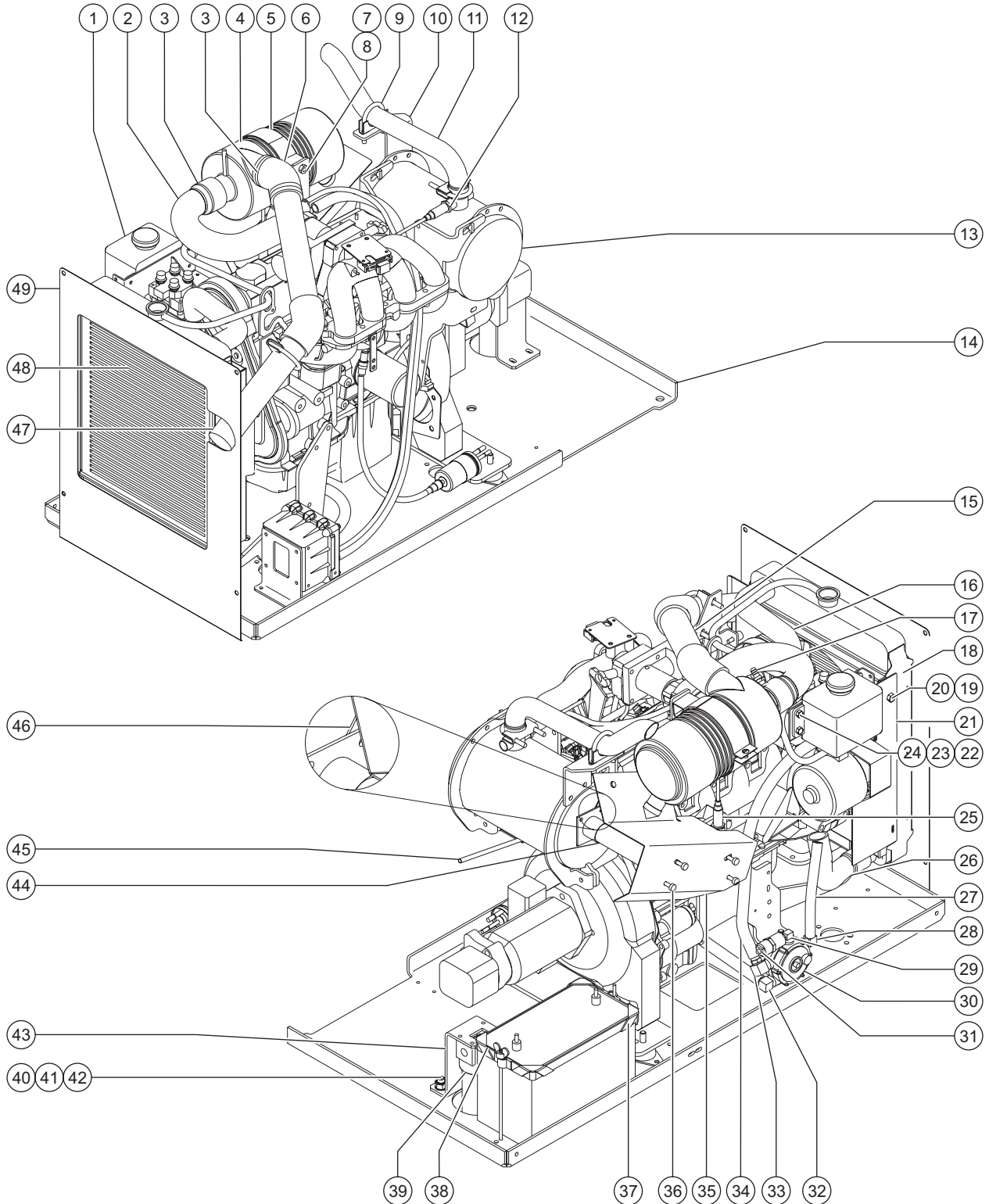
Figure 415.1 **Rev** C **Description** Ford LRG-425 EFI Engine - View 3 (before serial number 7597)



Item	Part No.	Description	Qty.	Item	Part No.	Description	Qty.
1	33962	Lower Radiator Hose	1	29	Ref.	Negative Battery Cable (refer to 311.1)	
2	13014	Clamp, 2.5 inches	2	30	57162	Terminal Cover Boot.....	1
3	33965	Upper Radiator Hose	1	31	30144	Battery Hold Down.....	1
4	45171	Clamp, 1.75 inches	2	32	28234P	Engine Mount Plate	1
5	27943	Radiator Cap	1	33	45708	Threaded Rod, 10 inches	2
6	33969	Radiator	1	34	27034	Screw - HHC, M10 -1.5 x 25 mm, GR 8.8	
—	28717	Drain Valve		35	22700	Lock Washer, M10	
7	53425-S	Inboard Engine Mount Plate	1	36	32339	Rubber Cushioned Clamp, 1.75 inches	2
8	8516	Screw - HHC, 3/8 -16 x 1.5 inches, GR 5		37	53290	Outboard Engine Mount	1
9	6097	Flat Washer, 3/8 inch		38	6198	Nylock Nut, 1/2 -13	
10	4828	Nylock Nut, 3/8 -16		39	6095	Flat Washer, 1/2 inch	
11	24038	Rubber Shock Mount	2	40	10598	Screw - HHC, 1/2 -13 x 3 inches, GR 5	
12	34929	Radiator Mount	1	41	73612	Screw - PHPM, 10-24 x 0.5 inch	
13	48425	Locking Flange Nut, 3/8 -16		42	73613	External Lock Washer, #10	
14	60790	Carriage Bolt, 3/8 -16 x 1.5 inches, GR 5		43	34942P	Outboard Radiator Support Strut	2
15	53909	Screw - HHC, 5/8 -11 x 4 inches, GR 8.....	4	44	48498	Vibration Isolator	2
16	6035	Flat Washer, 5/8 inch		45	34927P	Radiator Shroud	1
17	6024	Nylock Nut, 5/8 -11		46	34943P	Inboard Radiator Support Strut	1
18	28076	Shock Mount, Red & White (pair)	3				
19	29883	Screw - HHC, 5/8 -11 x 1.75 inches, GR 8.....	3				
20	6036	Lock Washer, 5/8 inch					
21	13064	Flat Washer, 5/8 inch					
22	6090	Screw - HHC, 1/4 -20 x 0.75 inch, GR 5					
23	6356	Lock Washer, 1/4 inch					
24	6638	Flat Washer, 1/4 inch					
25	Ref.	Engine Tray (refer to 423.1)					
26	45209	Wear Pad, 2 x 4 x 0.5 inch	4				
27	Ref.	Battery (refer to 423.1)					
28	Ref.	Positive Battery Cable (refer to 311.1)					



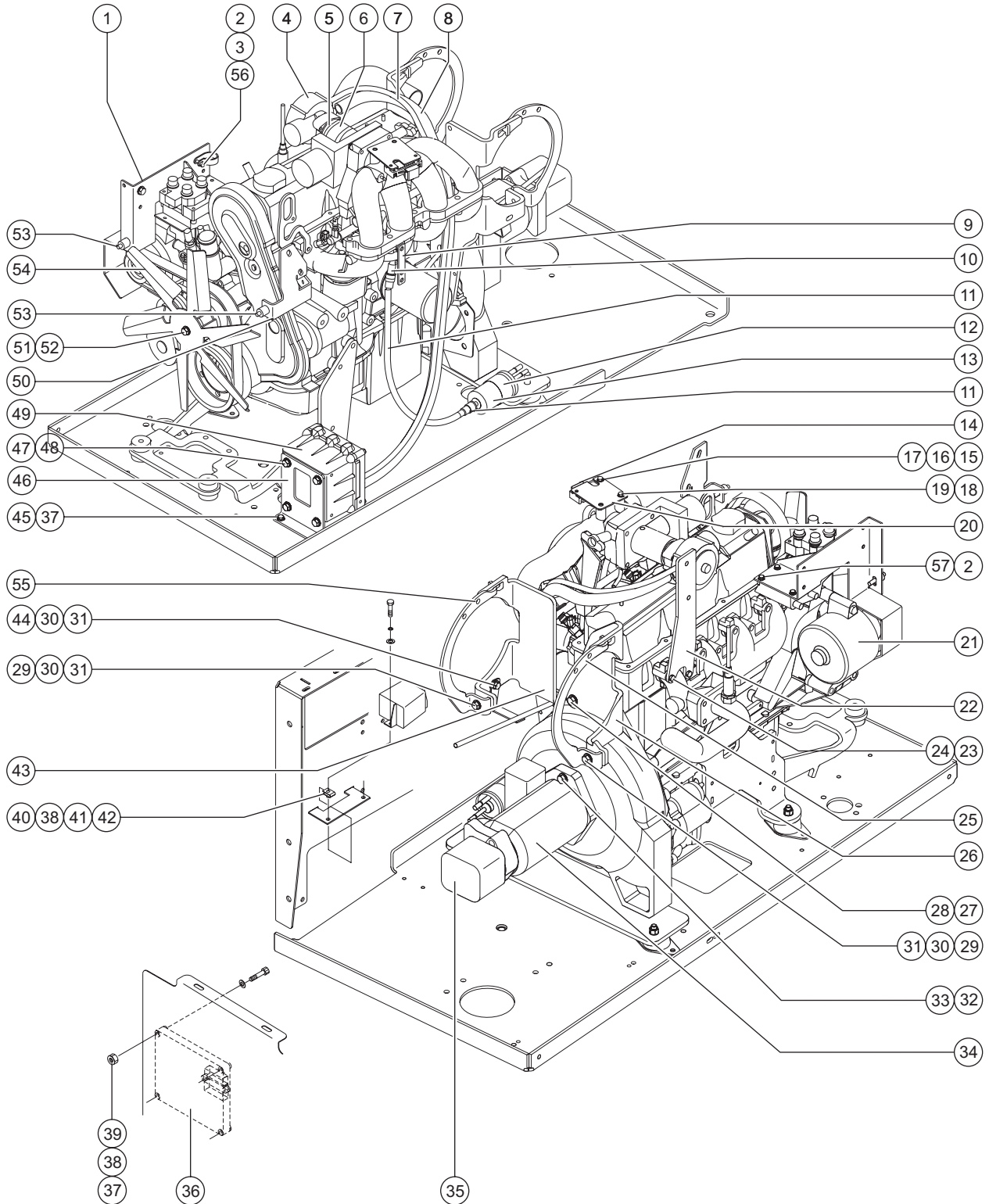
Figure 416.1 **Rev** G **Description** Ford LRG-425 EFI Engine - View 1 (from serial number 7597 to 11066)



Item	Part No.	Description	Qty.	Item	Part No.	Description	Qty.
—	Ref.	Engine Wire Harness (refer to 311.1)		29	19363	Fitting	1
1	54071	Coolant Return Tank with Hose ...	1	30	70525	LP Regulator	1
—	72327	Coolant Return Cap		31	88757	LP Lockout Valve	1
—	6833	Coolant Return Clamp		—	19358	Fitting	
2	88847	Air Cleaner Outlet Hose	1	32	102098	Fitting	1
3	45435	Clamp, 2.5 inches	3	33	102073	Fitting	1
4	77236	Air Filter Assembly	1	—	102072	Fitting	
—	77295	Air Filter Element		34	81778	Hose Coolant, 3/4 inch	1
—	58247	Air Filter Cap		35	102118	Heat Shield (includes item 47) (sold separately)	1
—	102977	Plastic Hose Fitting		—	102072	Heat Shield Support	
5	77296	Air Cleaner Mount Band	1	36	32064	Clamp, 1.25 inches	2
6	33361	Rubber Elbow, 45°	2	37	30144	Battery Hold Down	1
7	10107	Screw - HHC, 5/16 -18 x 0.75 inch, GR 5		38	Ref.	Battery (refer to 423.1)	
8	6782	Nylock Nut, 5/16 -18		39	77139	Medium Pressure Filter Assembly	1
9	102121	Clamp, 1.875 inches	2	—	60857	Filter Element, 3 micron	
10	102109P	Muffler Support Bracket	1	40	6019	Screw - HHC, 3/8 -16 x 1.25 inches	
11	102009	Exhaust Pipe	1	41	5397	Flat Washer, 5/16 inch	
12	106486	Cat Monitor Air Sensor	1	42	4828	Nylock Nut, 3/8 -16	
13	106178	Muffler	1	43	89596P	Medium Pressure Filter Bracket ...	1
14	Ref.	Engine Tray (refer to 423.1)		44	89973	Exhaust Pipe Assembly	1
15	102104	Air Intake Hose	1	—	102134	Gasket	
16	54862	Upper Radiator Hose	1	45	70419	Dipstick Tube	1
17	102977	Plastic Fitting		—	52566	Oil Level Dipstick	
18	54598P	Radiator Shroud	1	46	102779P	Heat Shield Support Bracket	1
19	21019	Screw - PHPM, 10-24 x 0.5 inch		—	8255	Screw - HHC, 3/8 -16 x 3/4 inch	
20	6146	Flat Washer, #10		—	6021	Lock Washer, 3/8 inch	
21	102010P	Fan Guard	1	—	6022	Hex Nut, 3/8 -16	
22	6090	Screw - HHC, 1/4 -20 x 0.75 inch, GR 5		47	102103	Air Cleaner Inlet Hose	1
23	6638	Flat Washer, 1/4 inch		48	110304	Radiator	1
24	6091	Nylock Nut, 1/4 -20		—	65473	Radiator Cap	
25	52652	Charge Air Sensor	1	49	89913P	Radiator Baffle	1
26	77170	Lower Radiator Hose	1	—	8255	Screw - HHC, 3/8 -16 x 3/4 inch	
—	13014	Hose Clamp, 2.25 inches		—	6021	Lock Washer, 3/8 inch	
27	1702	Hose Coolant, 5/8 inch 10 inches					
28	102074	Fitting	1				



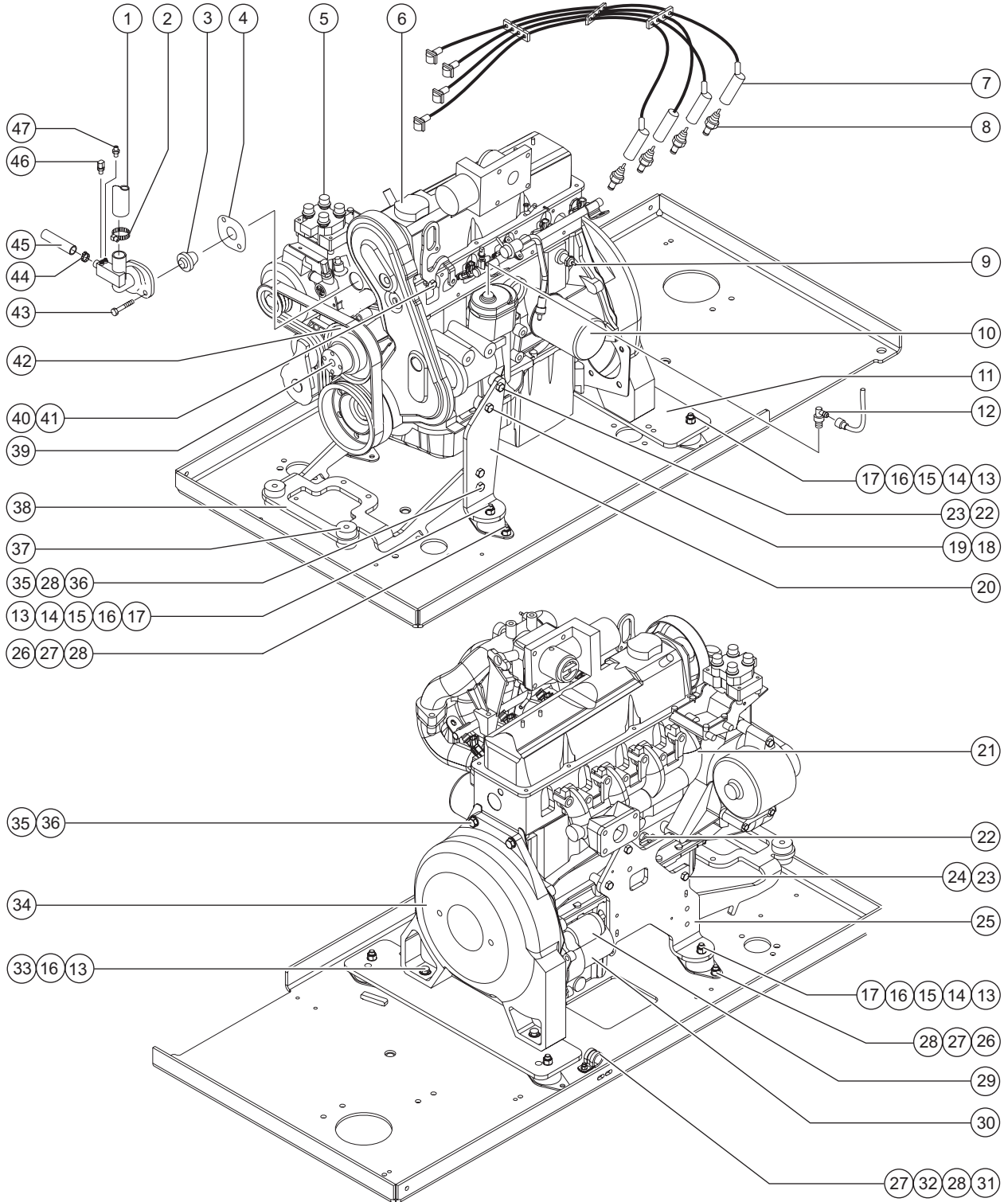
Figure 417.1 **Rev** D **Description** Ford LRG-425 EFI Engine - View 2 (from serial number 7597 to 11066)



Item	Part No.	Description	Qty.	Item	Part No.	Description	Qty.
1	89921	Coolant Bottle Mount	1	30	6097	Flat Washer, 3/8 inch	
2	67537	Screw - HHC, M5 x 12 mm		31	4828	Nylock Nut, 3/8 -16	
3	49413	Lock Washer, M5		32	6096	Screw - HHC, 1/2 -13 x 2 inches, GR 5	
4	106485	Air Valve Mixer	1	33	6033	Lock Washer, 1/2 inch	
5	35434	Clamp, 2 inches	2	34	Ref.	Drive Pump (refer to 706.1)	
6	102117	Air Intake Hose, 2 I.D. x 2 inches	1	35	Ref.	Function Pump (refer to 706.1)	
7	102128	Vac Hose 3/16 inch	1	36	106487	Engine Performance Module	1
8	102129	LP Hose	1	37	6091	Nylock Nut, 1/4 -20	
9	102065P	Harness Connector Bar Mount	1	38	6638	Flat Washer, 1/4 inch	
10	65892	Connector Assembly	1	39	6145	Screw - HHC, 1/4 -20 x 1.5 inches, GR 5	
11	71909	High Pressure Fuel Line	18 inches	40	25969	Spring Clip Nut, 1/4 -20	2
12	65453	Pressure Regulator Mount	1	41	6356	Lock Washer, 1/4 inch	
13	58967	Gas Pressure Regulator	1	42	6090	Screw - HHC, 1/4 -20 x 0.75 inch, GR 5	
14	49898	Map Sensor	1	43	101127P	Inboard Muffler Mount	1
15	49817	Screw - PHPM, 10-32 x 1.25 inches		44	6019	Screw - HHC, 3/8 -16 x 1.25 inches, GR 5	
16	6146	Flat Washer, #10		45	6888	Screw - HHC, 1/4 -20 x 1 inch, GR 5	
17	5365	Nylock Nut, 10-24		46	102068P	Megajector Mount	1
18	23057	Screw - HHC, M8 -1.25 x 20 mm, GR 8.8		47	49375	Screw - HHC, M6 -1 x 16 mm, GR 8.8	
19	49408	Lock Washer, M8		48	49407	Lock Washer, M6	
20	53821P	Map Sensor Bracket	1	49	70527	Fuel Megajector	1
21	33960	Alternator, 13.8V DC, 95A	1	—	106491	Megajector Jumper Harness	
—	71910	Terminal Kit		50	102013P	Radiator Support Mount	1
22	89917P	Air Cleaner Mount Plate	1	51	75185	Screw - HHC, M8 x 1.25 x 70mm, GR 8.8	
23	10107	Screw - HHC, 5/16 -18 x 0.75 inch, GR 5		52	49408	Lock Washer, M8	
24	6782	Nylock Nut, 5/16 -18		53	48498	Air Filter Isolator	2
25	106271P	Outboard Muffler Clamp	1	54	52076	Fan	1
26	101126P	Outboard Muffler Mount	1	—	70489	Fan Spacer	
27	25548	Screw - HHC, M10 -1.5 x 40 mm, GR 8.8		55	101128P	Inboard Muffler Clamp	1
28	22700	Lock Washer, M10		56	6833	Clamp, 0.5 inch	1
29	5224	Screw - HHC, 3/8 -16 x 2 inches, GR 5		57	19872	Lock Washer, M5	



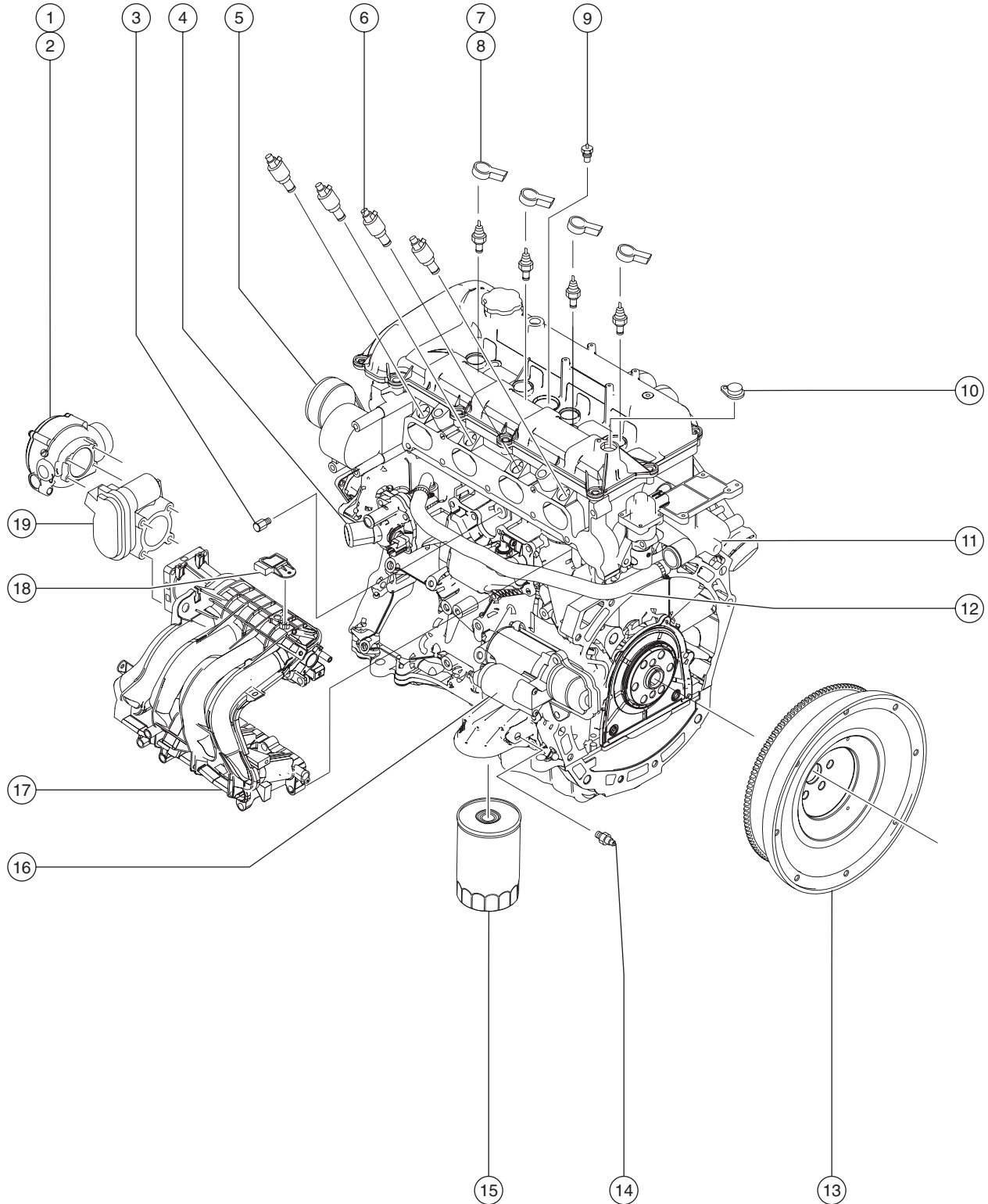
Figure 418.1 **Rev** E **Description** Ford LRG-425 EFI Engine - View 3 (from serial number 7597 to 11066)



Item	Part No.	Description	Qty.	Item	Part No.	Description	Qty.
1	33965	Upper Radiator	1	31	7713	Nylock Nut, 3/8 -16	
2	22672	Clamp	1	32	45454	Rubber Cushioned Clamp, 0.75 x 0.375 inch	1
3	33966	Thermostat	1	33	22788	Screw - HHC, 1/2 -13 x 1.75 inches	
4	52575	Thermostat Gasket	1	34	64079	Bell Housing Kit	1
5	33970	Ignition Coil Assembly	1	—	89813	Coupler Flex Plate	
6	49881	Oil Filler Cap	1	—	89811	Pump Mount Housing	
7	52570	Spark Plug Wire Set	1	—	37003	Pump Coupler, 15 Tooth	
8	106490	Spark Plug (pack of 4)	1	—	102136	Screw - SHC, 7/16 -14 x 1.25 inches	
9	89812	Oil Pressure Switch Assembly	1	35	6019	Screw - HHC, 3/8 -16 x 1.25 inches, GR 5	
10	28656	Oil Filter	1	36	4828	Nylock Nut, 3/8 -16	
11	70423P	Rear Engine Mount.....	1	37	24038	Lower Radiator Isolator	4
12	33957	PCV Valve	1	—	15086	Fender Washer, 3/8 x 1.5 x 0.125 inch	
13	6198	Nylock Nut, 1/2 -13		—	48425	Flange Lock Nut, 3/8 -16	
14	39479	Screw - HHC, 1/2 -13 x 2.75 inches, GR 5		38	101121P	Radiator Support Mount	1
15	70452	Engine Isolator	4	39	33963	Water Pump with Gasket	1
16	6095	Flat Washer, 1/2 inch		—	52078	Water Pump Pulley	
17	102066P	Cast Washer		—	33964	Water Pump Gasket	
18	25929	Screw - HHC, M8 -1.25 x 30 mm, GR 8.8		40	102794	Screw - HHC, M8 x 1.25 x 40, GR 10.9	
19	49408	Lock Washer, M8		41	33277	Flat Washer, M8	
20	101118P	Inboard Engine Mount	1	42	52580	Serpentine Belt	1
21	58321	Exhaust Manifold	1	—	65770	Timing Belt	
—	102134	Gasket		43	65454	Flange Bolt, M6 x 22 mm	
22	28717	Drain Valve	1	44	13014	Clamp, 2.25 inches	1
23	44064	Screw - HHC, M10 -1.5 x 30 mm, GR 8.8		45	72358	Water Inlet Tube	1
24	22700	Lock Washer, M10		46	33972	Coolant Temperature Sensor	1
25	101119P	Outboard Engine Mount	1	47	65456	Water Temperature Sending Unit	1
26	4828	Nylock Nut, 3/8 -16					
27	6175	Screw - HHC, 3/8 -16 x 1 inch, GR 5					
28	6097	Flat Washer, 3/8 inch					
29	27920	Starter Solenoid	1				
30	29616	Starter	1				



Figure 419.1 **Rev** A **Description** Ford DSG-423 EFI Engine - View 1 (after serial number 11066)

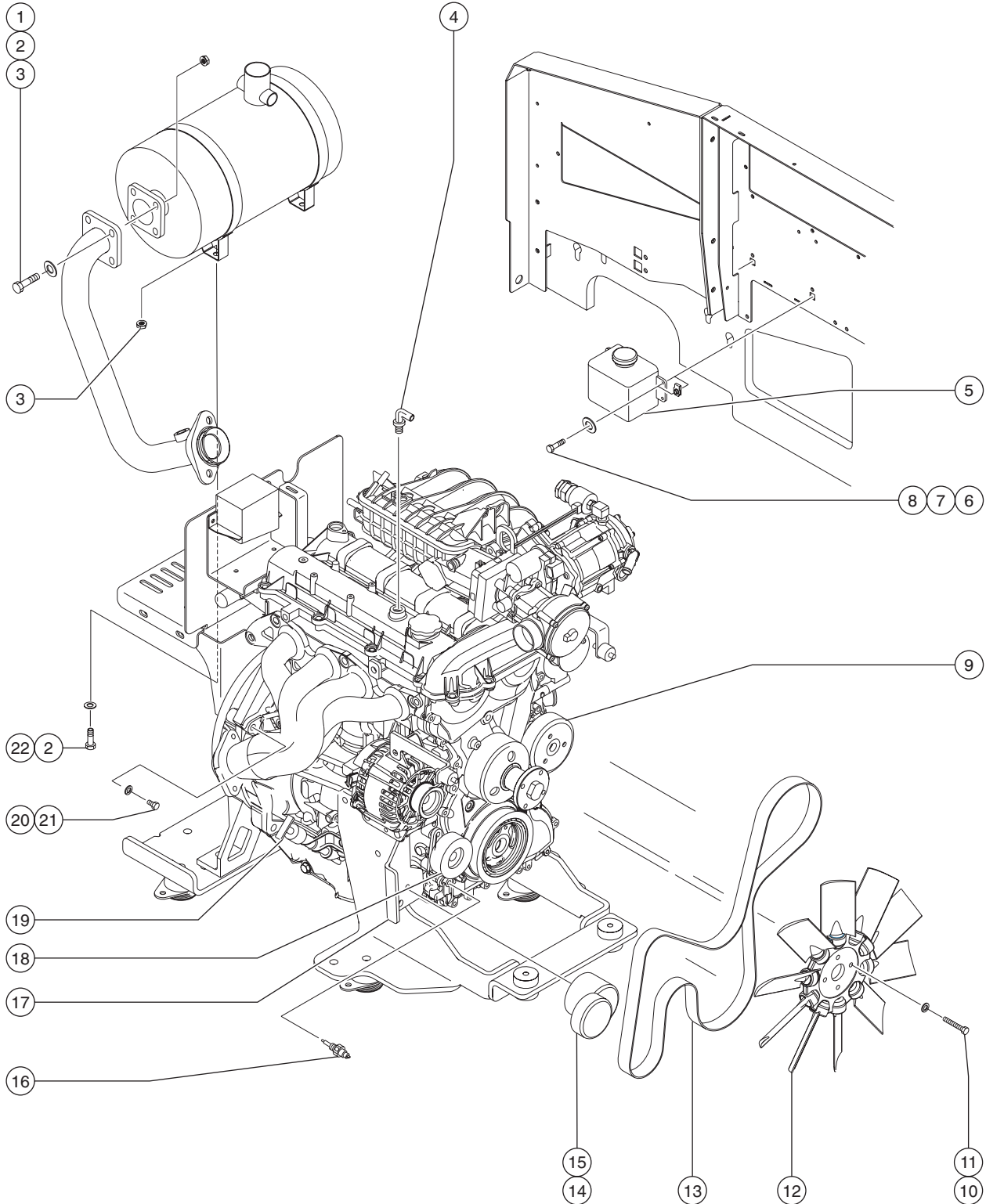


419.1
Rev A

Ford DSG-423 EFI Engine - View 1 (after serial number 11066)

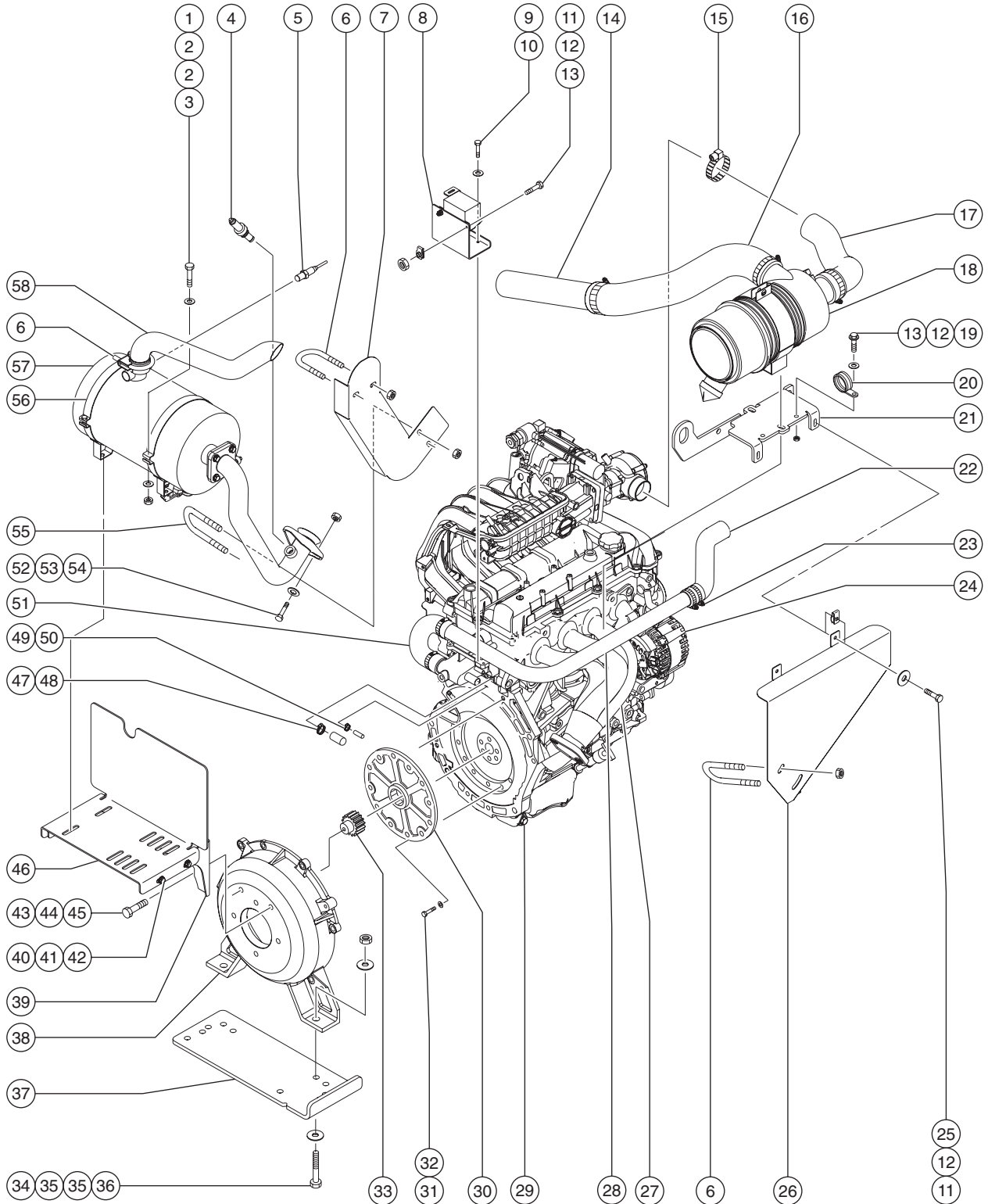
Item	Part No.	Description	Qty.
—	119472	Engine Harness with Relay Block	
1	119135	LPG Mixer	1
—	119500	Mixer Gasket	
—	119547	O-ring, Smoothed	
—	119548	O-ring, Ribbed	
2	119142	Mixer/Throttle Body Adapter	1
—	119466	Adapter Gasket	
3	119498	Knock Sensor	1
4	119551	Thermostat Housing	1
5	119476	Upper Idler Pulley	1
—	119477	Idler Pulley Bracket	
6	119479	Fuel Injector	4
7	119478	Ignition Coil	4
8	119467	Spark Plug	4
—	119495	Spark Plugs (pack of four)	
9	119480	Cylinder Head Temperature Sensor	1
10	119497	Cam Position Sensor	1
11	119461	Coolant Housing	1
12	119482	Coolant Bypass Hose	1
13	119465	Flywheel Assembly with Ring Gear	1
14	119481	Oil Pressure Switch	1
15	119139	Oil Filter	1
16	119137	Starter	1
17	119545	Intake Manifold	1
—	119585	Vacuum Cap, ⁵ / ₁₆ inch, High Temp	
—	119586	Vacuum Cap, ³ / ₈ inch High Temp	
—	119568	Spring Clamp, ¹ / ₂ inch	
18	119475	Map Sensor	1
19	88451	Throttle Body	1
—	88452	Throttle Body Gasket	

Figure 420.1 **Rev** A **Description** Ford DSG-423 EFI Engine - View 2 (after serial number 11066)



Item	Part No.	Description	Qty.
1	13000	Screw - HHC, 5/16 -18 x 1.25 inches, GR 5	
2	5397	Flat Washer, 5/16 inch	
3	18503	Flange Nut, 5/16 -18	
4	119474	PCV Valve	1
—	75631	Hose, 3/8 inch	
5	54071	Coolant Recovery Bottle	1
—	72327	Cap	
—	21465	Hose Clamp, 0.25 inch	
—	6833	Rubber Cushioned Clamp, 0.5 x 0.25 inch	
6	6145	Screw - HHC, 1/4 -20 x 1.5 inches, GR 5	
7	6638	Flat Washer, 1/4 inch	
8	56912	Spring Clip, 1/4 -20	
9	119468	Water Pump with Pulley	1
10	32309	Screw - HHC, M8 -1.25 x 60 mm, GR 8.8	
11	49408	Lock Washer, M8	
12	119153	Fan	1
13	119138	Sperpentine Belt	1
14	119470	Tensioner Pulley	1
15	119469	Tensioner	1
16	119496	Crank Position Sensor	1
17	119471	Tensioner Bracket	1
18	119544	Lower Idler Pulley	1
19	119473	Dipstick	1
20	111744	Screw - SHC, M10 x 1.5 x 55 mm GR 8.8	
21	22699	Flat Washer, M10	
22	13002	Screw - HHC, 5/16 -18 x 1 inch, GR 5	

Figure 421.1 **Rev** A **Description**
 Ford DSG-423 EFI Engine - View 3 (after serial number 11066)

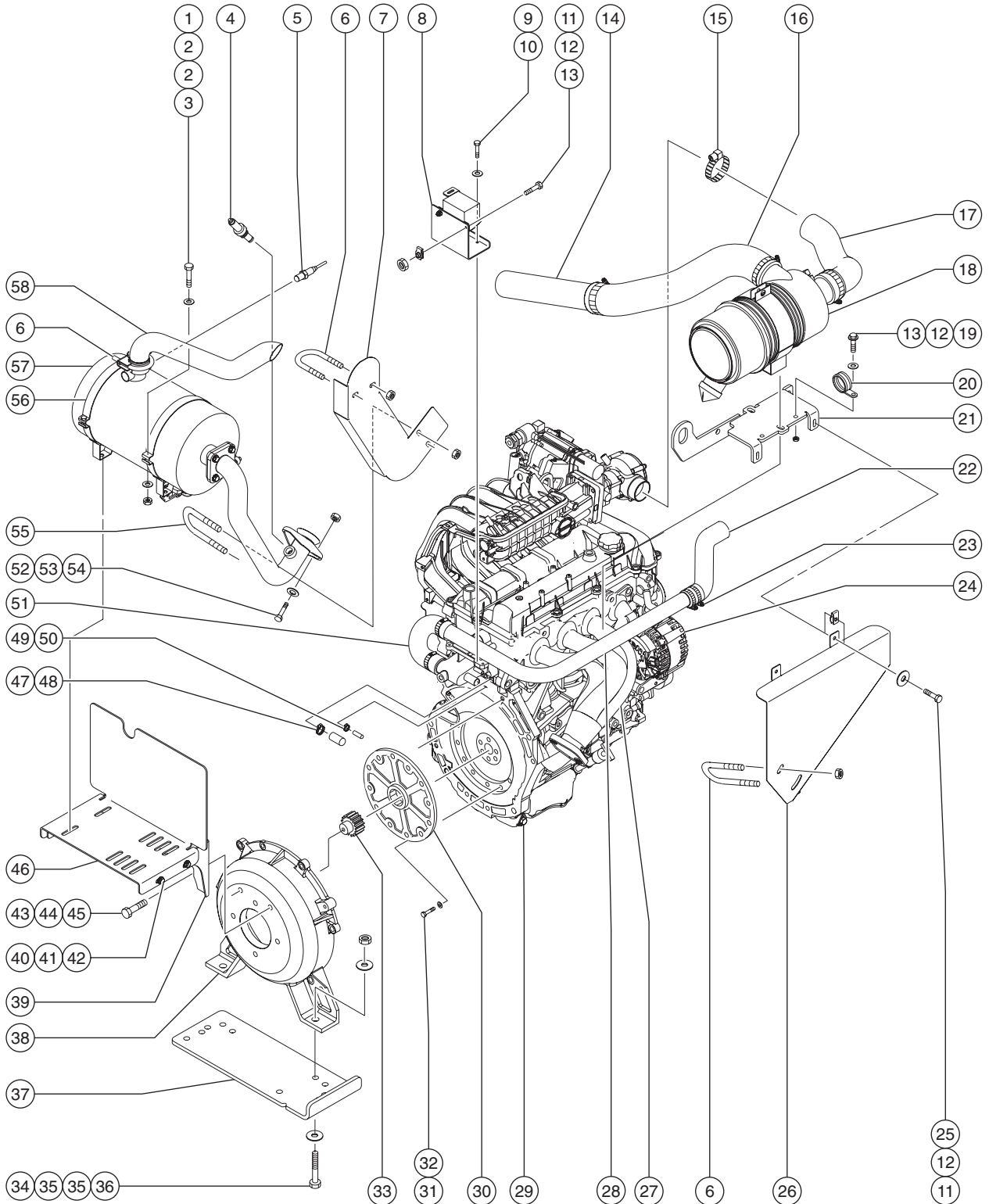


Item	Part No.	Description	Qty.	Item	Part No.	Description	Qty.
1	14033	Screw - HHC, 3/8 -16 x 2.75 inches, GR 5		27	119463	Exhaust Manifold	1
				—	119464	Exhaust Manifold Gasket	
2	22692	Wave Washer, 0.635 x 1 x 0.015 inch		28	112285	Coolant Pipe	1
3	6022	Nut, 3/8 -16		29	119588	Oil Pan Plug.....	1
4	88450	Oxygen Sensor	1	30	89813	Flex Plate	1
5	106486	Catalytic Monitor Sensor	1	31	55014	Screw - SHC, M8 x 1.25 x 25 mm, GR 12.9	
6	32064	Muffler Clamp, 1.75 inches.....	3	32	33277	Flat Washer, M8	
7	111633	Muffler Pipe Heat Shield		33	37003	Pump Coupler	1
8	111609	Relay Mounting Bracket		34	22788	Screw - HHC, 1/2 -13 x 1.75 inches, GR 5	
9	67537	Screw - HHC, M5 x 12 mm		35	6095	Flat Washer, 1/2 inch	
10	49413	Flat Washer, M5		36	6198	Nylock Nut, 1/2 -13	
11	6090	Screw - HHC, 1/4 -20 x 0.75 inch, GR 5		37	110415P	Engine Support Plate	1
12	6638	Flat Washer, 1/4 inch		38	110405	Bell Housing Kit (includes items 31 and 34)	1
13	6091	Nylock Nut, 1/4 -20		—	119052	Bell Housing	
14	94324-950	Inlet Tube - Air Cleaner	1	—	119054	Pump Hardware Kit	
—	45435	Hose Clamp, 2.5 inches		39	111611P	Lower Muffler Mount Plate	1
15	45435	Hose Clamp, 2.5 inches	2	40	6175	Screw - HHC, 3/8 -16 x 1 inch, GR 5	
16	111603	Inlet Hose - Air Cleaner	1	41	5397	Flat Washer, 5/16 inch	
—	45435	Hose Clamp, 2.5 inches		42	29868	Spring Clip, 3/8 -16	
17	110422	Outlet Hose - Air Cleaner	1	43	10597	Screw - HHC, 1/2 -13 x 1.25 inches, GR 5	
—	45435	Hose Clamp, 2.5 inches		44	13066	Flat Washer, 1/2 inch	
18	111634	Air Cleaner	1	45	6033	Lock Washer, 1/2 inch	
—	77295	Filter Element		46	111604P	Upper Muffler Mount Plate	1
—	38922	Fitting - Elbow, 90° 1/8 MPT - 5/16 inch Barb		47	119484	Coolant Cap, 0.75 inch	1
19	6888	Screw - HHC, 1/4 -20 x 1 inch, GR 5		48	46131	Hose Clamp, 0.63 inch	1
20	119394	Rubber Cushioned Clamp, 1.38 x 3/8 inches	3	49	119485	Coolant Cap, 0.313 inch	1
21	111653P	Lifting Eye Plate and Air Cleaner Mount.....	1	50	21465	Hose Clamp, 0.25 inch	1
22	110758	Upper Radiator Hose	1	51	110424	Coolant Return Hose	1
23	45171	Hose Clamp, 1.75 inches	4	52	25548	Screw - HHC, M10 -1.5 x 40 mm, GR 8.8	
24	119140	Alternator	1				
25	56912	Spring Clip, 1/4 -20					
26	111615	Exhaust Manifold Heat Shield	1				

This list continues on the next page.



Figure 421.1 **Rev** A **Description** Ford DSG-423 EFI Engine - View 3 (after serial number 11066)

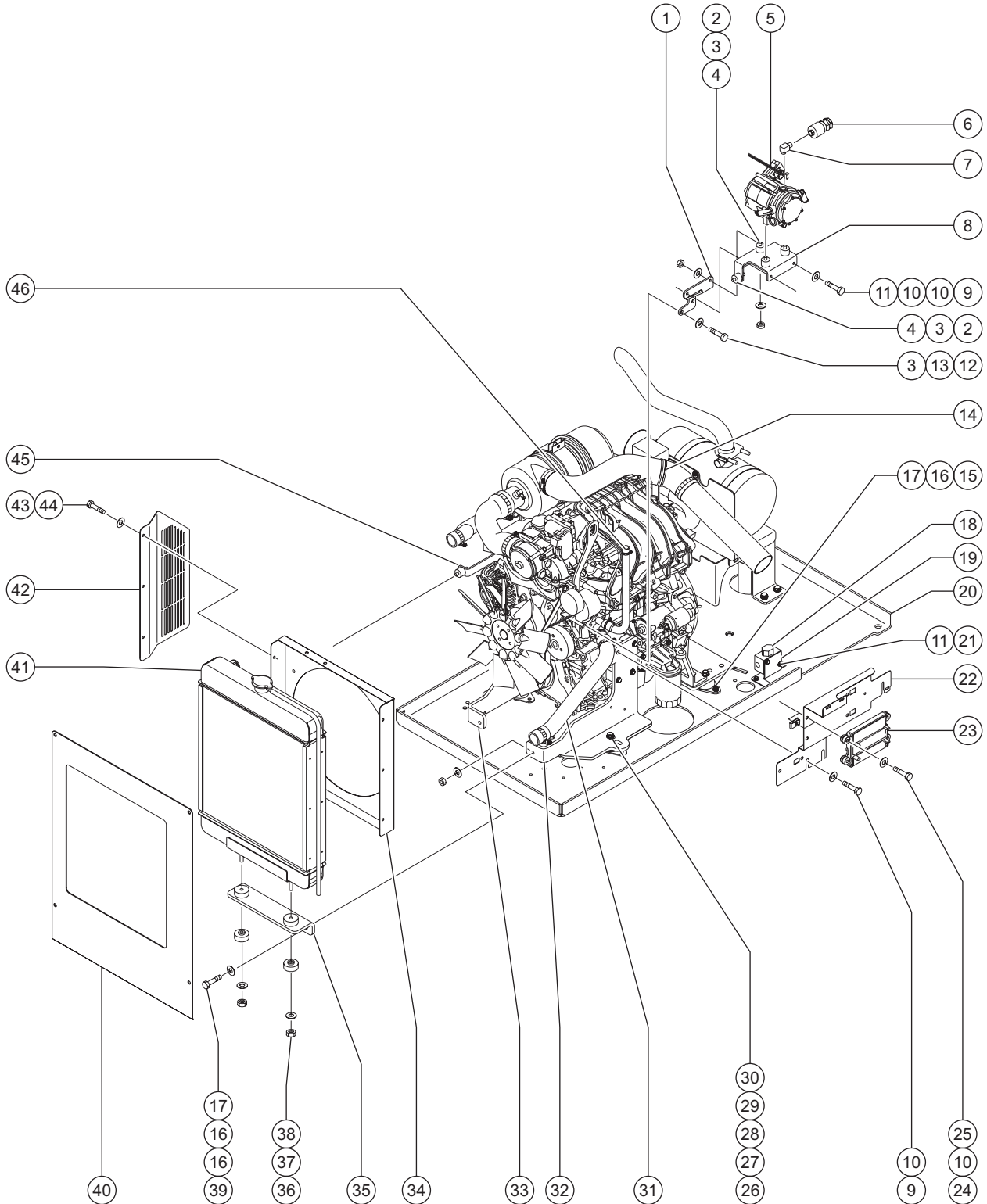


Ford DSG-423 EFI Engine - View 3 (after serial number 11066) 421.1 Rev A

Item	Part No.	Description	Qty.
53	22699	Flat Washer, M10	
54	22700	Lock Washer, M10	
55	102121	Muffler Clamp, 1.875 inches	1
56	119051	Muffler Mount Band	2
57	111665	Muffler	1
58	111697	Exhaust Tailpipe	1



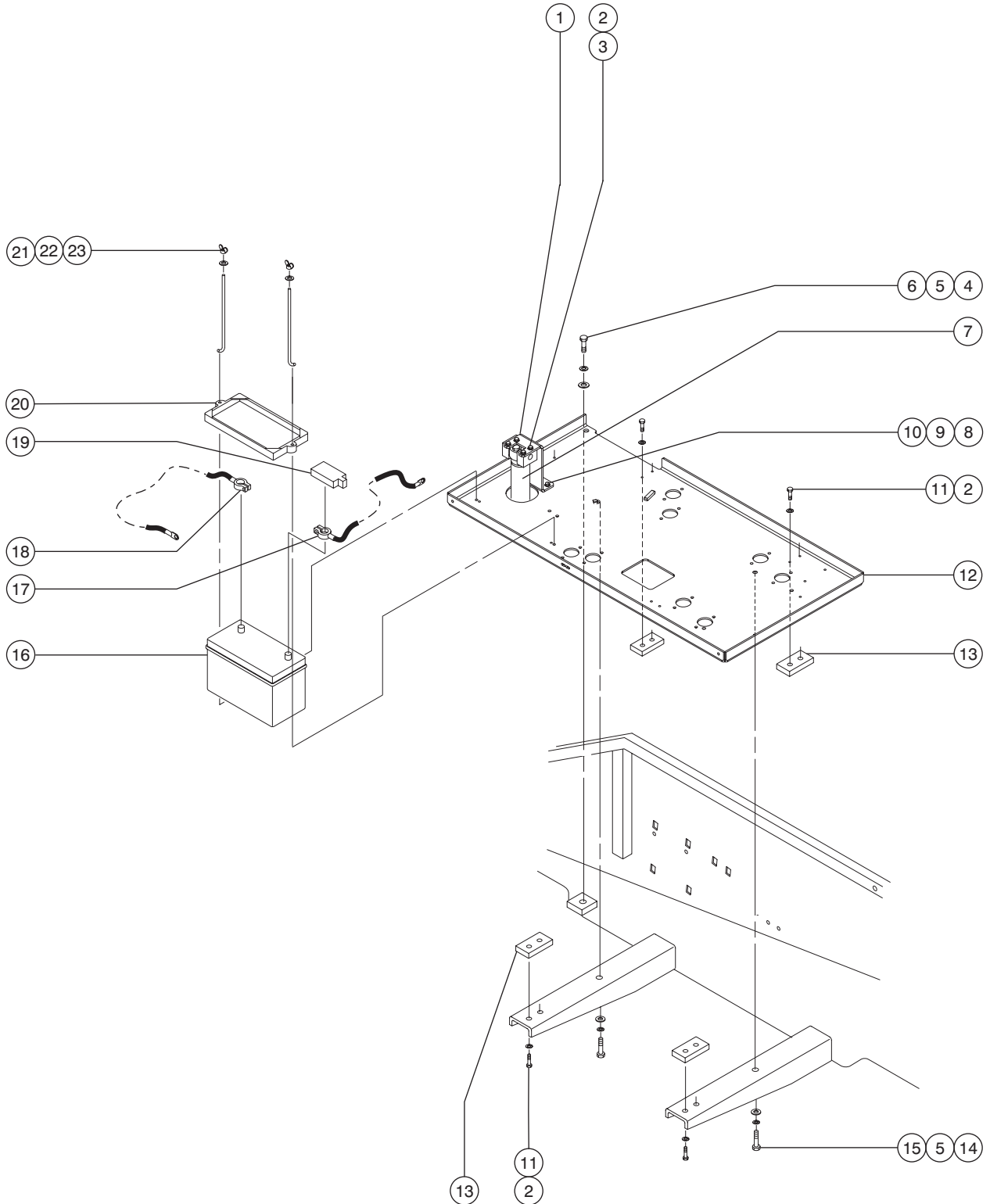
Figure 422.1 **Rev** A **Description** Ford DSG-423 EFI Engine - View 4 (after serial number 11066)



Item	Part No.	Description	Qty.	Item	Part No.	Description	Qty.
1	110892	Regulator Support Bracket	1	29	6095	Flat Washer, 1/2 inch	
2	110919	Vibration Isolator	4	30	102066P	Cast Washer	2
3	33277	Flat Washer, M8		31	110423	Lower Radiator Hose	1
4	25368	Nylock Nut, M8		—	119053	Hose Clamp, 1.5 inches	
5	119185	LPG Regulator	1	32	110416P	Engine Mount, Inboard	1
—	119546	Fitting Kit		33	111339	Engine Mount Assembly with Decals, Outboard	1
6	119232	LPG Lockoff	1	34	110413	Fan Shroud	1
7	19363	Fitting	1	35	110417P	Radiator Support	1
8	110890P	LPG Regulator Mount	1	36	48425	Flange Nut, 3/8 -16	
9	67349	Screw - HHC, M8 -1.25 x 50 mm, GR 8.8		37	15086	Fender Washer, 3/8 x 1.5 x 0.125 inch	
10	6638	Flat Washer, 1/4 inch		38	24038	Shock Mount	4
11	6091	Nylock Nut, 1/4 -20		39	8516	Screw - HHC, 3/8 -16 x 1.5 inches, GR 5	
12	8255	Screw - HHC, 3/8 -16 x 0.75 inch, GR 5		40	111632P	Radiator Baffle	1
13	49408	Lock Washer, M8		41	110406	Radiator	1
14	70257	Rubber Cushioned Clamp, 3 x 0.25 inch	1	42	111341	Fan Guard Plate with Word Decals	1
15	6175	Screw - HHC, 3/8 -16 x 1 inch, GR 5		—	122017P	Fan Guard	
16	6097	Flat Washer, 3/8 inch		43	21019	Screw - PHPM, 10-24 x 0.5 inch	
17	4828	Nylock Nut, 3/8 -16		44	6146	Flat Washer, #10	
18	119170	Fuel Pressure Regulator	1	45	110419P	Radiator Brace	1
19	111699P	Regulator Mount	1	—	49498	Vibration Isolator	
20	Ref.	Engine Tray (refer to 423.1)		—	18503	Flange Nut, 5/16 -18	
21	4266	Screw - HHC, 1/4 -20 x 2 inches, GR 5		46	113073	Upper Coolant Intake Hose	1
22	112283	ECM Bracket	1	—	119053	Hose Clamp, 1.5 inches	
23	119169	Engine Control Module (ECM)	1				
24	6145	Screw - HHC, 1/4 -20 x 1.5 inches, GR 5					
25	56912	Spring Clip, 1/4 -20					
26	6198	Nylock Nut, 1/2 inch					
27	39479	Screw - HHC, 1/2 -13 x 2.75 inches, GR 5					
28	70452	Engine Vibration Isolator	2				



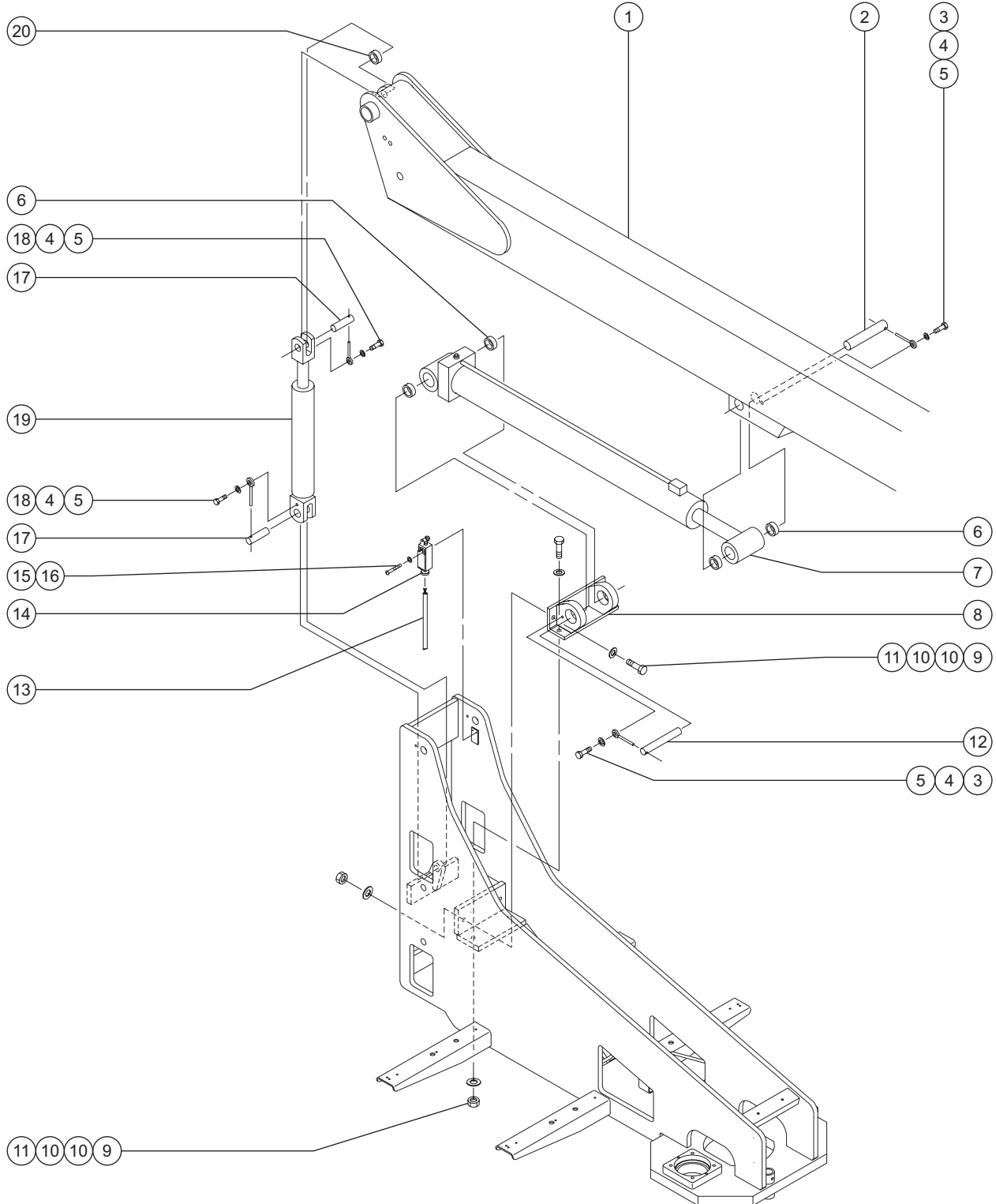
Figure 423.1
Rev B
Description Engine Tray, Battery and Filter Installation



Item	Part No.	Description	Qty.	Item	Part No.	Description	Qty.
1	89596P	Filter Mount.....	1	18	Ref.	Negative Battery Cable (refer to 311.1)	
2	6090	Screw - HHC, 1/4 -20 x 0.75 inch, GR 5		19	57162	Terminal Cover Boot.....	2
3	6356	Lock Washer, 1/4 inch		20	30144	Battery Hold Down.....	1
4	29883	Screw - HHC, 5/8 -11 x 1.75 inches, GR 8.....	1	21	8170	Wing Nut, 1/4 -20	2
5	6036	Lock Washer, 5/8 inch		22	6638	Flat Washer, 1/4 inch	
6	13064	Flat Washer, 5/8 inch		23	45708	Threaded Rod, 10 inches	2
7	77139	Medium Pressure Filter Assembly	1				
—	60857	Filter Kit, 3 Micron					
8	6019	Screw - HHC, 3/8 -16 x 1.25 inches, GR 5					
9	5397	Flat Washer, 5/16 inch					
10	4828	Nylock Nut, 3/8 -16					
11	6356	Lock Washer, 1/4 inch					
12	89597	Engine Tray (Perkins models) (before serial number 7472) (Deutz models) (before serial number 7544) (Ford models) (before serial number 7597)	1				
—	102062P	Engine Tray (shown) (Perkins models) (after serial number 7471) (Deutz models) (after serial number 7543) (Ford models) (after serial number 7596)					
13	45209	Wear Pad, 2 x 4 x 0.5 inch	4				
—	81851	Shim, 2 x 4 x 0.06 inch					
14	21175	Screw - SHC, 5/8 -11 x 4 inches					
15	33418	Plate Washer, 5/8 x 2.25 x 0.187 inches					
16	30143	Battery, 12V DC, 1000 CCA	1				
—	49869	Corrosion Inhibitor Grease					
17	Ref.	Positive Battery Cable (refer to 311.1)					



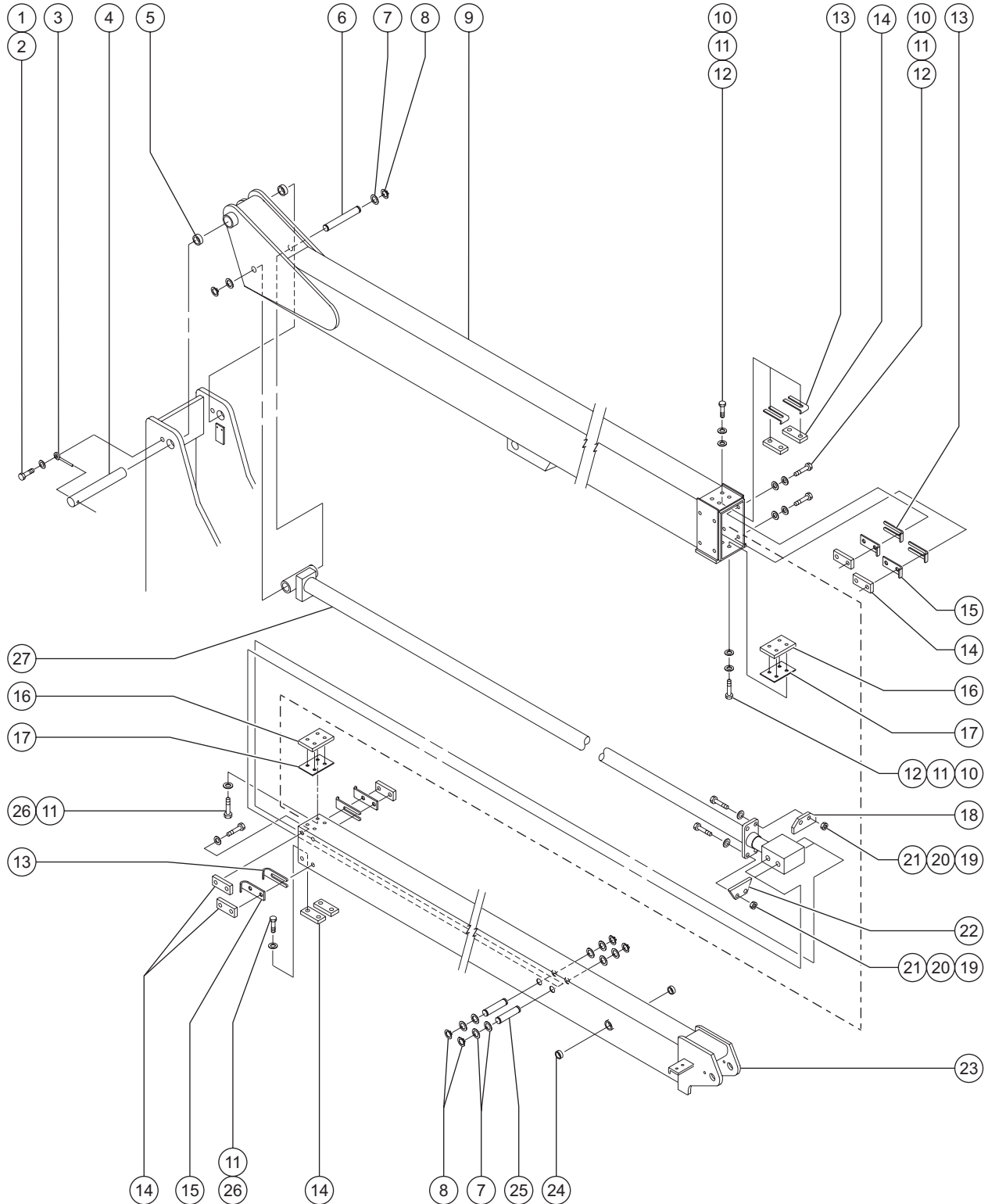
Figure 501.1 **Rev** E **Description** Boom Lift and Master Leveling Cylinder Installation



Item	Part No.	Description	Qty.	Item	Part No.	Description	Qty.
—	Ref.	Harness, Angle Limit Switch (refer to 311.1)		20	25817	Bearing, 1 x 1.25 x 1 inch (S-40)	1
1	Ref.	Primary Boom Tube Assembly (refer to 502.1 or 503.1)		—	30370	Bearing, 1.25 x 1.5 x 1 inch (S-45)	
2	30732	Pivot Pin, 6.38 x 1.5 inches	1				
3	6708	Screw - HHC, 3/8 -16 x 2.25 inches, GR5					
4	6097	Flat Washer, 3/8 inch					
5	45226	Rod End, 0.375 x 3.69 inches	4				
6	45072	Bearing, 1.5 x 1.65 x 1.5 inches ...	4				
7	63206	Boom Lift Cylinder (includes item 6)	1				
—	63346	Seal Kit					
—	73806	Counterbalance Valve, 3000 psi / 206.8 bar					
8	30662-S	Lift Cylinder Mount	1				
9	13004	Screw - HHC, 5/8 -11 x 3 inches, GR 8	4				
10	13064	Flat Washer, 5/8 inch					
11	6024	Nylock Nut, 5/8 -11					
12	30733	Pivot Pin, 7.75 x 1.5 inches	1				
13	1505	Electrical Cord, 16 Ga., 2 Conductor	108 inches				
14	88356-146R5	Limit Switch with Roller Head	1				
—	19491	Contact					
—	89757	Roller Arm					
15	22541	Screw - RHSM, 10-32 x 1.5 inches					
16	6607	Lock Washer, #10					
17	30734	Pivot Pin, 2.88 x 1 inch (S-40)	2				
—	34276	Pivot Pin, 3.25 x 1.25 inches (S-45)					
18	8255	Screw - HHC, 3/8 -16 x 0.75 inch, GR 5	2				
19	81692	Master Cylinder (S-40)	1				
—	75468	Seal Kit					
19	81694	Boom Master Cylinder (S-45)	1				
—	75470	Seal Kit					



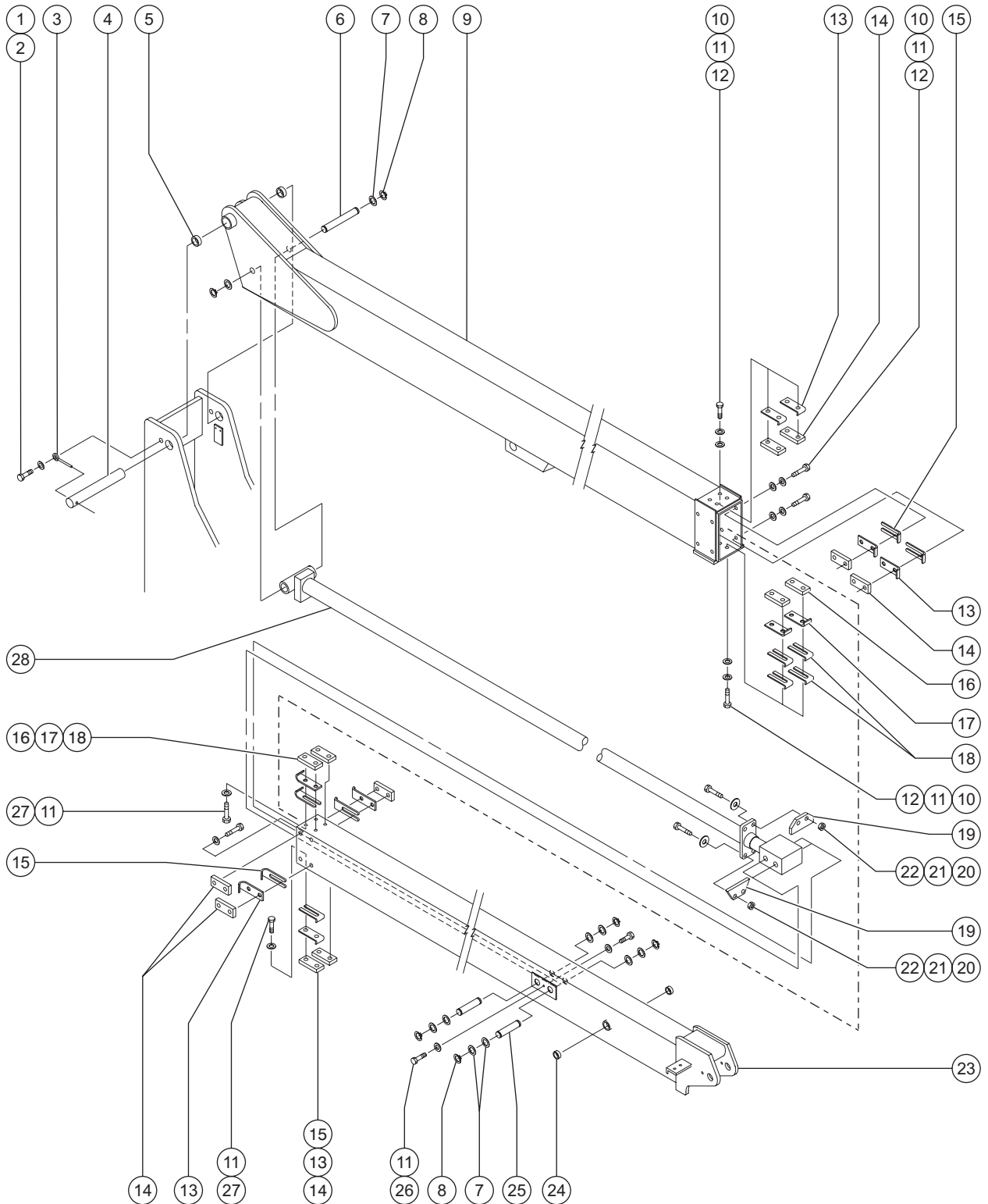
Figure 502.1 **Rev** B **Description** Boom Assembly, S-40



Item	Part No.	Description	Qty.	Item	Part No.	Description	Qty.
1	10597	Screw - HHC, 1/2 -13 x 1.25 inches, GR 5		24	30220	Bearing, 1.25 x 1.5 x 0.68 inch	2
2	6033	Lock Washer, 1/2 inch		25	30729	Pivot Pin, 7 x 1 inch	2
3	30418	Rod End, 0.5 x 4 inches	1	26	8255	Screw - HHC, 3/8 -16 x 0.75 inch, GR 5	
4	30731	Pivot Pin, 16 x 1.5 inches	1	27	63202	Extension Cylinder	1
5	30738	Bearing, 1.5 x 2 x 1.5 inches	2	—	63342	Seal Kit	
6	30730	Pivot Pin, 9.54 x 1 inch	1	—	89872	Counterbalance Valve, 3000 psi / 206.8 bar	
7	30748	Flat Washer, 1.01 x 1.63 x 0.062 inch		—	36188	Counterbalance Valve, 2000 psi / 137.9 bar	
8	44662	External Snap Ring, 1 inch	6				
9	102143	Primary Boom Tube Assembly (includes item 5)	1				
—	25817	Bearing, 1 x 1.25 x 1 inch					
10	6175	Screw - HHC, 3/8 -16 x 1 inch, GR 5					
11	6021	Lock Washer, 3/8 inch					
12	6097	Flat Washer, 3/8 inch					
13	29080	Wear Pad Shim, 5 x 1.5 x 0.0635 inch	as needed				
14	30138	Wear Pad, 5 x 1.5 x 0.63 inch	12				
15	38620	Wear Pad Shim, 1.5 x 5 x 0.075 inch	as needed				
16	30741	Wear Pad, 6.5 x 5 x 0.75 inch	2				
17	30472	Wear Pad Shim, 6.5 x 5 x 0.059 inch	as needed				
18	30581	Wear Pad, 3.75 x 2 x 1 inch	1				
19	6091	Nylock Nut, 1/4 -20					
20	6638	Flat Washer, 1/4 inch					
21	6637	Screw - HHC, 1/4 -20 x 1.75 inches, GR 5					
22	30582	Wear Pad, 5.73 x 2 x 1 inch	1				
23	111521	Extension Boom Tube Assembly with Decal (includes item 24) (USA/Canada/Australia)					
	111544	Extension Boom Tube Assembly (includes item 24) (Europe/Asia/South America)					



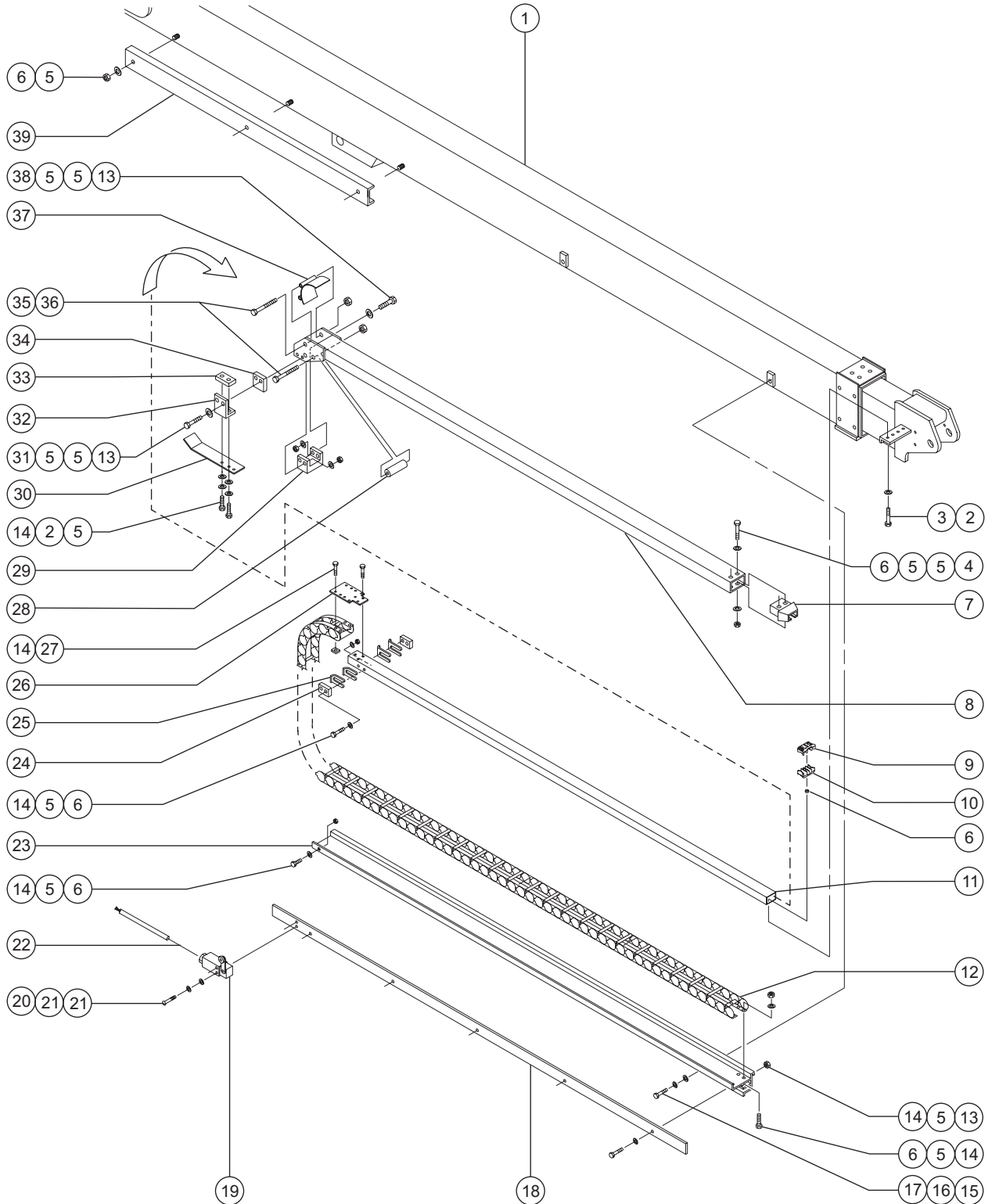
Figure 503.1 **Rev** B **Description** Boom Assembly, S-45



Item	Part No.	Description	Qty.	Item	Part No.	Description	Qty.
1	10597	Screw - HHC, 1/2 -13 x 1.25 inches, GR 5		24	30220	Bearing, 1.25 x 1.5 x 0.68 inch.....	2
2	6033	Lock Washer, 1/2 inch		25	53200	Pivot Pin, 8.71 x 1 inch.....	2
3	30418	Rod End, 0.5 x 4 inches	1	26	53354	Screw - HHC, 3/8 -16 x 1.25 inches, GR 5	
4	30731	Pivot Pin, 16 x 1.5 inches	1	27	8255	Screw - HHC, 3/8 -16 x 0.75 inch, GR 5	
5	30738	Bearing, 1.5 x 2 x 1.5 inches	2	28	63202	Extension Cylinder	1
6	53219	Pivot Pin, 11.125 x 1 inch	1	—	63342	Seal Kit	
7	30748	Flat Washer, 1.01 x 1.63 x 0.062 inch		—	89872	Counterbalance Valve, 3000 psi / 206.8 bar	
8	30742	External Snap Ring, 1 inch	6	—	36188	Counterbalance Valve, 2000 psi / 137.9 bar	
9	102144	Primary Boom Tube Assembly (includes item 5)	1				
10	6175	Screw - HHC, 3/8 -16 x 1 inch, GR 5					
11	6021	Lock Washer, 3/8 inch					
12	6097	Flat Washer, 3/8 inch					
13	38620	Wear Pad Shim, 1.5 x 5 x 0.075 inch	as needed				
14	30138	Wear Pad, 5 x 1.5 x 0.63 inch	8				
15	29080	Wear Pad Shim, 5 x 1.5 x 0.064 inch	as needed				
16	34124	Wear Pad, 5 x 3 x 0.63 inch	4				
17	38621	Wear Pad Shim, 3 x 5 x 0.0747 inch	as needed				
18	34344	Wear Pad Shim, 3 x 5 x 0.0635 inch	as needed				
19	53197	Wear Pad, 6.5 x 2.75 x 1 inch	2				
20	6091	Nylock Nut, 1/4 -20					
21	12906	Fender Washer, 1/4 x 1.25 inches					
22	6637	Screw - HHC, 1/4 -20 x 1.75 inches, GR 5					
23	52882	Extension Boom Tube Assembly with Decal (includes item 24) (USA/Canada/Australia)	1				
—	111408	Extension Boom Tube Assembly (includes item 24) (Europe/Asia/South America)					



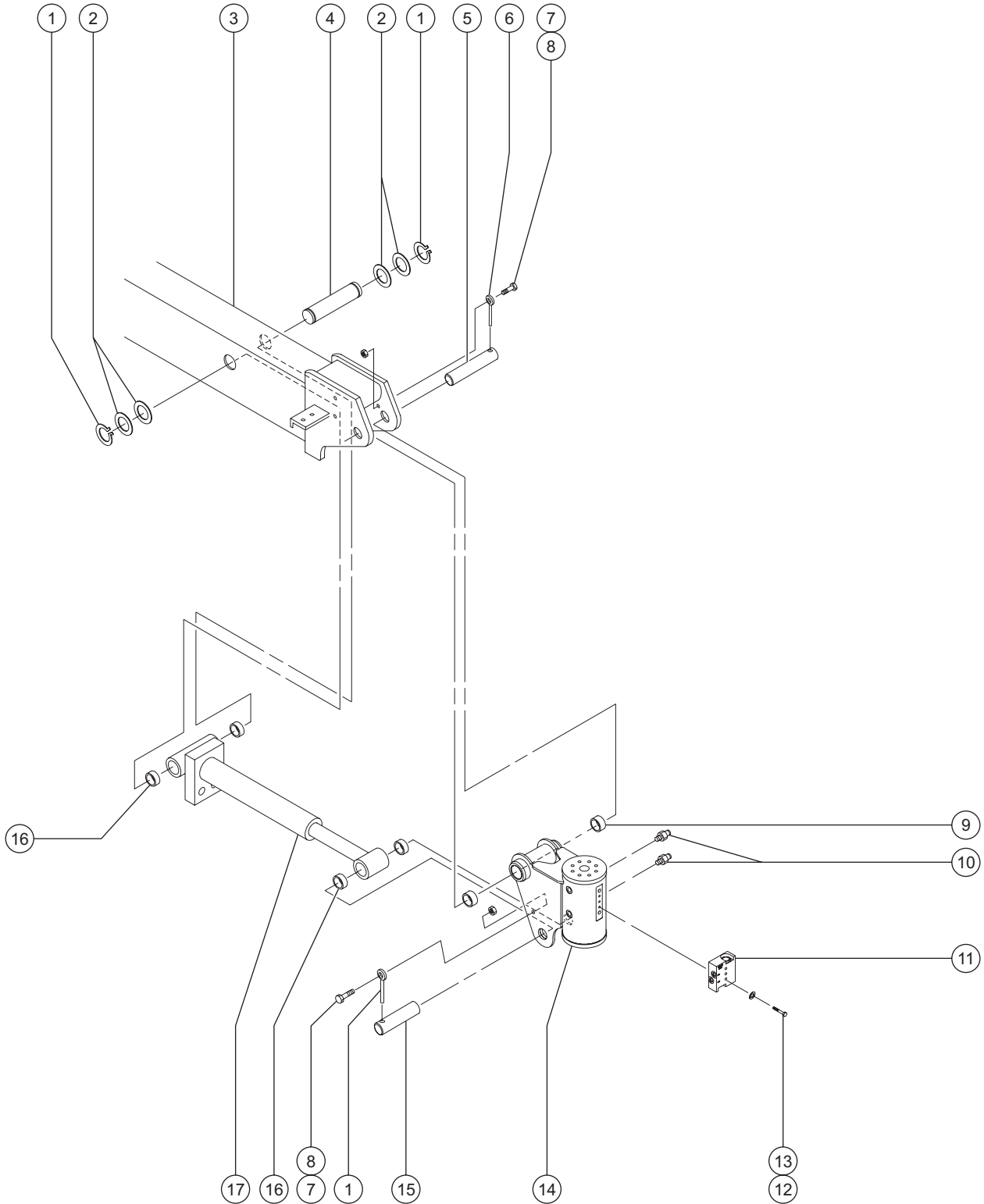
Figure 504.1
Rev D
Description Cable Track Installation



Item	Part No.	Description	Qty.	Item	Part No.	Description	Qty.
—	Ref.	Wire Harness, Extend/Retract Limit Switch (refer to 311.1)		25	34954	Wear Pad Shim, 16 Ga. 1.5 x 3.5 inches	as needed
1	Ref.	Boom Assembly (refer to 502.1 or 503.1)		26	43191P	Cable Track Attachment Plate	1
2	8914	Screw - HHC, 1/4 -20 x 0.625 inch, GR 5		27	25969	Spring Clip Nut, 1/4 -20	4
3	6356	Lock Washer, 1/4 inch		28	40653	Roller - UHMW	1
4	6115	Screw - HHC, 1/4 -20 x 3.5 inches, GR 5		29	43128	Slide Block	1
5	6638	Flat Washer, 1/4 inch		30	36204P	Limit Switch Extension Bracket	1
6	6889	Low Profile Nylock Nut, 1/4 -20		31	8179	Screw - HHC, 1/4 -20 x 2.25 inches, GR 5	
7	41750	Guide Block	1	32	41031P	Cable Track Guide Bracket	1
8	30671-S	Cable Track Tube Assembly	1	33	41029	Wear Pad, 3 x 2 x 0.5 inch	1
9	63433	Top Hose Clamp	1	34	41030	Wear Pad, 2.5 x 2.25 x 0.5 inch ...	1
10	63432	Bottom Hose Clamp	1	35	22832	Screw - HHC, 3/8 -16 x 6 inches, GR 5	
11	43852-S	Track Support Cable Tube	1	36	7713	Nylock Nut, 3/8 -16	
12	73994	Cable Track, 41 Links	1	37	36593	Cable Track Guide	1
—	81007	Repair Link Set, 4 Links		38	6145	Screw - HHC, 1/4 -20 x 1.5 inches, GR 5	
13	6091	Nylock Nut, 1/4 -20		39	25072P-S	Lower Cable Track Hose Cover	1
14	6090	Screw - HHC, 1/4 -20 x 0.75 inch, GR 5					
15	8255	Screw - HHC, 3/8 -16 x 0.75 inch, GR 5					
16	6021	Lock Washer, 3/8 inch					
17	6097	Flat Washer, 3/8 inch					
18	44081-S	Track Tray Cable Cover	1				
19	88356-11165	Limit Switch with Roller Arm	1				
—	19491	Contact					
—	27643	Roller Arm					
20	6179	Screw - RHSM, 10-32 x 1.25 inches					
21	6607	Lock Washer, #10					
22	1505	Electrical Cord, 16 Ga., 2 Conductor	236 inches				
23	52653	Cable Track Tray with Trim	1				
24	31411	Wear Pad, 3.63 x 2.75 x 0.75 inch	2				



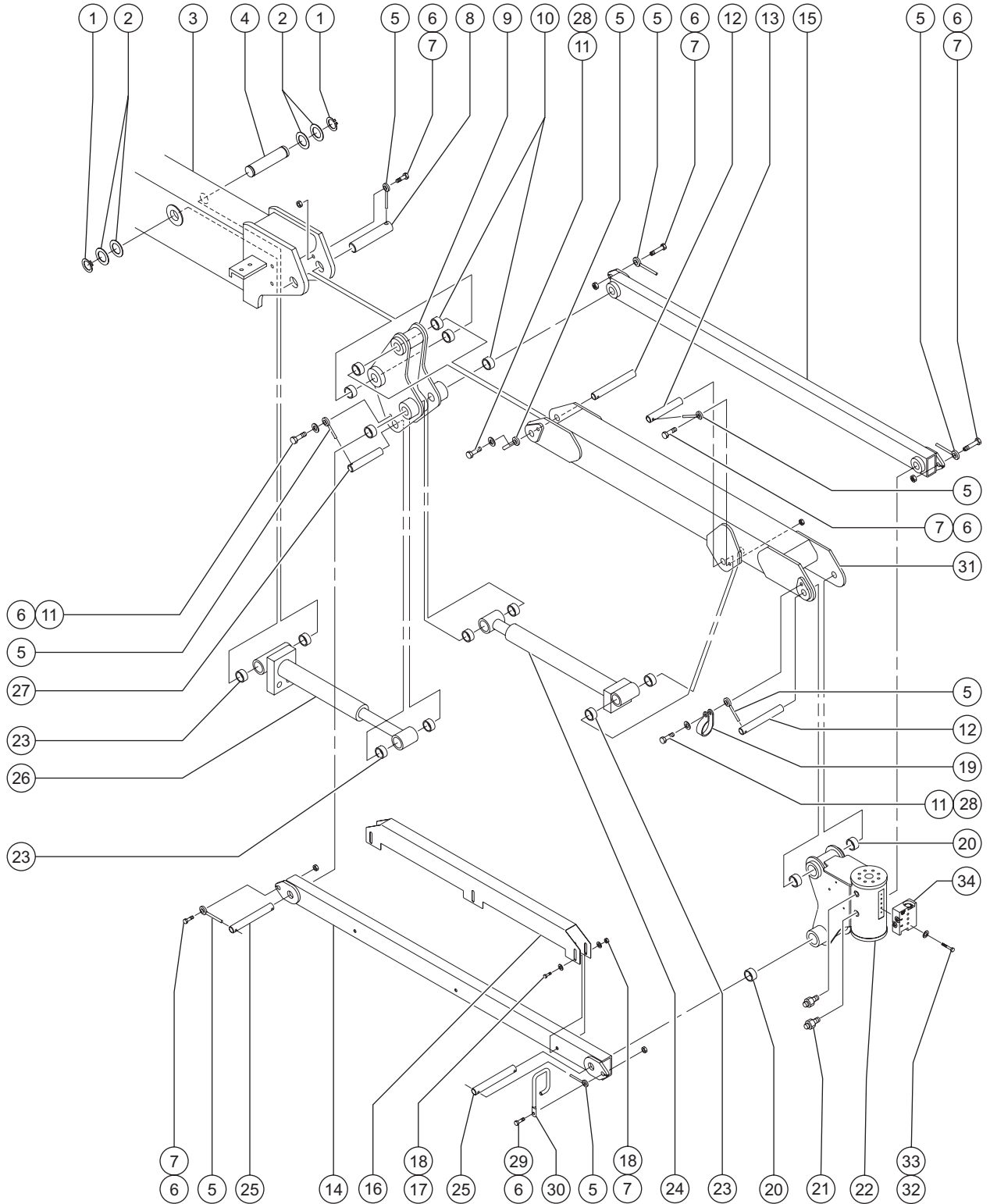
Figure 505.1 **Rev** D **Description** Slave Cylinder and Platform Rotator, S-40



Item	Part No.	Description	Qty.	Item	Part No.	Description	Qty.
1	30217	External Snap Ring, 1.25 inches	2	17	81693	Slave Cylinder (includes item 16)	1
2	30255	Flat Washer, 1.27 x 2.13 x 0.062		—	75469	Seal Kit	
3	Ref.	Boom Assembly (refer to 502.1)		—	59267	Counterbalance Valve, 3500 psi / 242 bar (before serial number 7358)	
4	30728	Pivot Pin, 7.13 x 1.25 inches	1	—	77303	Counterbalance Valve, 3500 psi / 242 bar (after serial number 7357)	
5	34239	Pivot Pin, 7.88 x 1.25 inches	1				
6	30418	Rod End, 0.5 x 3.75 inches	2				
7	8516	Screw - HHC, 3/8 -16 x 1.5 inches, GR 5					
8	4828	Nylock Nut, 3/8 -16					
9	30219	Bearing, 1.25 x 1.41 x 1 inch (before serial number 8126)	2				
—	30370	Bearing, 1.25 x 1.5 x 1 inch (after serial number 8125)					
10	13852	Bleed Valve Assembly (before serial number 8126)	2				
—	88516	Bleed Valve Assembly (after serial number 8125)					
11	Ref.	Rotator Manifold (refer to 704.1)					
12	6145	Screw - HHC, 1/4 -20 x 1.5 inches, GR 5					
13	6638	Flat Washer, 1/4 inch					
14	94398	Platform Rotator (includes items 9 and 10)	1				
—	62417	Seal Kit (before serial number 8126)					
—	94442	Seal Kit (after serial number 8125)					
—	106421	Arctic Seal Kit (before serial number 8126)					
—	75395	Bearing Kit (before serial number 8126)					
15	30187	Pivot Pin, 5.25 x 1.25 inches	1				
16	59266	Bearing, 1.25 x 1.5 x 0.75 inch	4				



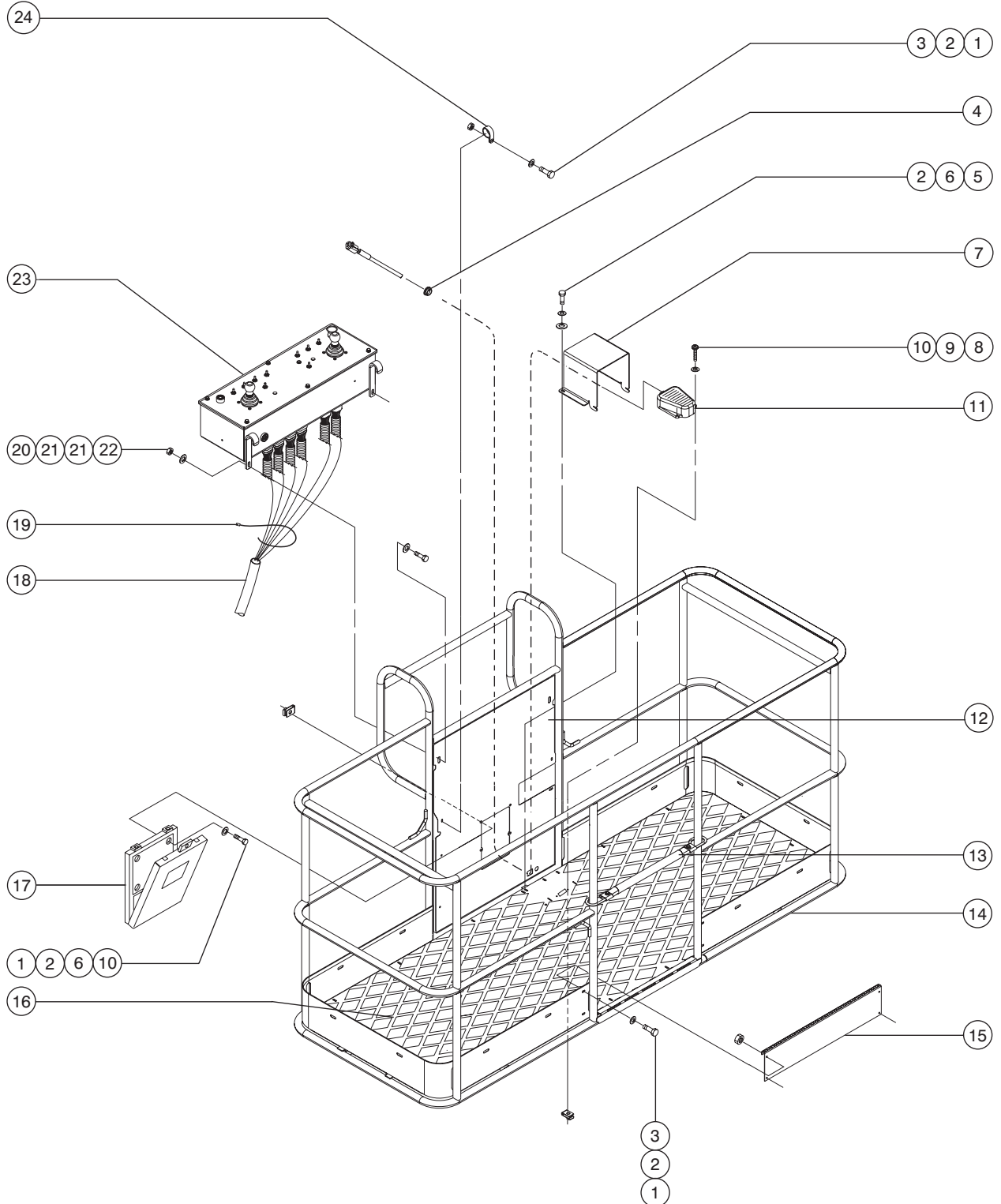
Figure 506.1 **Rev** D **Description** Jib Boom and Platform Rotator, S-45



Item	Part No.	Description	Qty.	Item	Part No.	Description	Qty.
1	30217	External Snap Ring, 1.25 inches	2	22	94397	Platform Rotator (includes items 20 and 21)	1
2	30255	Flat Washer, 1.27 x 2.13 x 0.062 inch		—	62417	Seal Kit (before serial number 8126)	
3	Ref.	Boom Assembly (refer to 502.1 or 503.1)		—	94442	Seal Kit (after serial number 8182)	
4	34267	Pivot Pin, 8.25 x 1.30 inches	1	—	106421	Arctic Seal Kit (before serial number 8126)	
5	45226	Rod End, 0.375 x 3.25 inches	9	—	75395	Bearing Kit (before serial number 8126)	
6	8516	Screw - HHC, 3/8 -16 x 1.5 inches, GR 5		23	25683	Bearing, 1.25 x 1.375 x 0.69 inch	8
7	4828	Nylock Nut, 3/8 -16		24	63213	Jib Boom Cylinder (includes item 23)	1
8	34266	Pivot Pin, 9.5 x 1.25 inches	1	—	63353	Seal Kit	
9	89801	Bellcrank Assembly with Bearings (includes item 10)	1	—	33428	Counterbalance Valve, 3000 psi / 207 bar	
10	35675	Flange Bearing, 1.25 x 1.5 x 1.25 inches	6	—	43018	Seal Kit	
11	6021	Lock Washer, 3/8 inch		25	81175	Leveling Arm Pin, 14.25 x 1.25 inches	2
12	34239	Pivot Pin, 7.88 x 1.25 inches	2	26	63210	Slave Cylinder (includes of item 23)	1
13	34241	Pivot Pin, 7 x 1.25 inches	1	—	63350	Seal Kit	
14	61306	Leveling Arm, Tank Side	1	—	77303	Counterbalance Valve, 3500 psi / 242 bar	
15	60789	Leveling Arm, Engine Side	1	27	30187	Pivot Pin, 5.25 x 1.25 inches	1
16	89642P	Hose Cover	1	28	5224	Screw - HHC, 3/8 -16 x 2 inches, GR 5	
17	6326	Screw - HHC, 3/8 -16 x 3 inches, GR 5		29	7713	Nylock Nut, 3/8 -16	
18	5397	Flat Washer, 5/16 inch		30	75016P	Jib Boom Hose Guard	1
19	32339	Rubber Cushioned Clamp	1	31	60933	Jib Boom	1
20	30219	Bearing, 1.25 x 1.41 x 1 inch (before serial number 8183)	4	32	6145	Screw - HHC, 1/4 -20 x 1.5 inches, GR 5	
—	30370	Bearing, 1.25 x 1.5 x 1 inch (after serial number 8182)		33	6638	Flat Washer, 1/4 inch	
21	13852	Bleed Valve Assembly (before serial number 8183)	2	34	Ref.	Rotator Manifold (refer to 704.1)	
—	88516	Bleed Valve Assembly (after serial number 8182)					



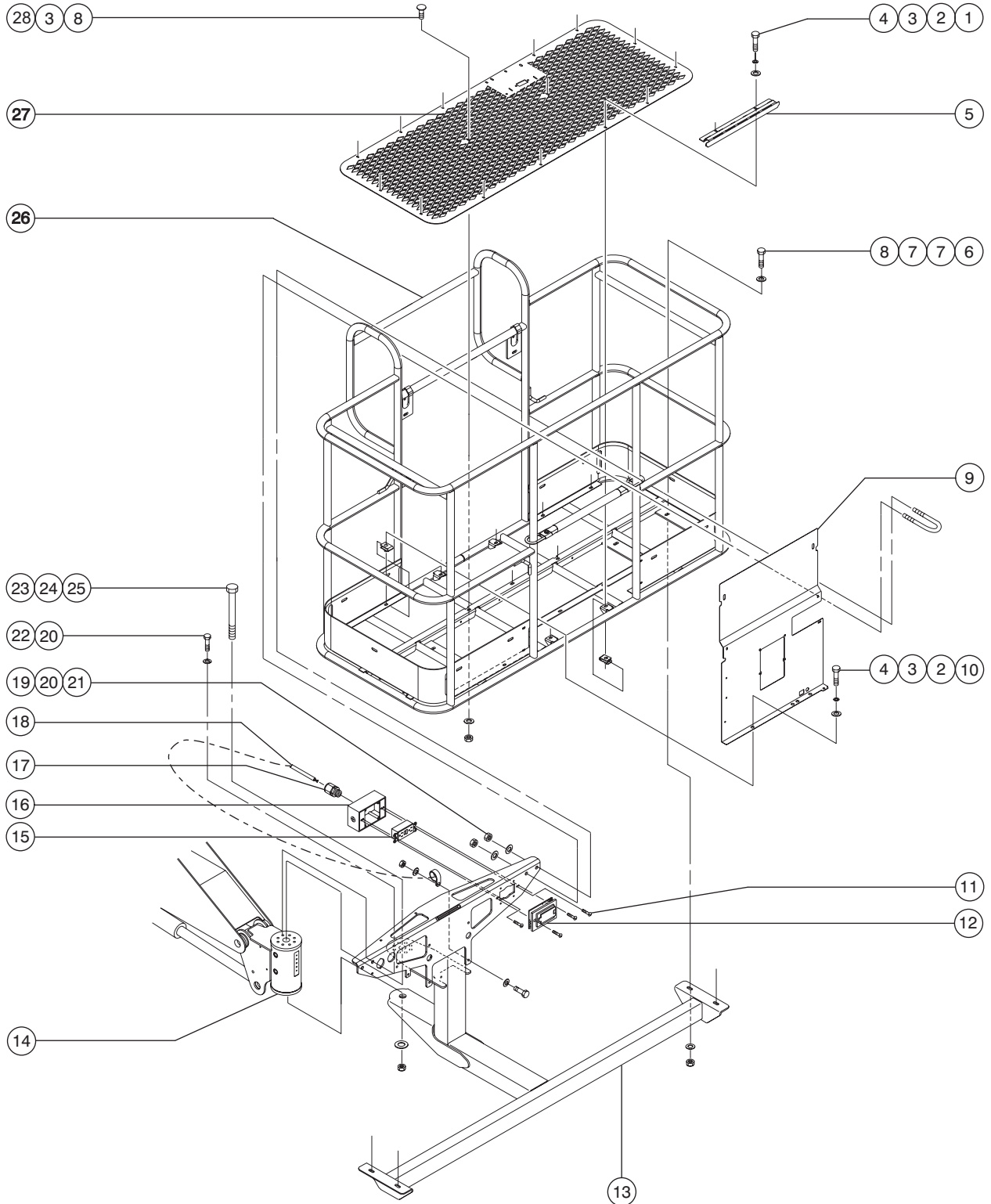
Figure 601.1 **Rev** D **Description** Platform Installation - View 1



Item	Part No.	Description	Qty.	Item	Part No.	Description	Qty.
Platform Assemblies with Word Decals: (before serial number 9753)				7	73931	Foot Switch Guard (USA, Canada, Australia)	1
USA and Canadian models:				—	63766	Foot Switch Guard (Europe, Asia, South America)	
—	89742	4 Foot Platform Assembly		8	73587	Screw - PHM, 10-24 x 0.75	
—	89743	5 Foot Platform Assembly		9	6607	Lock Washer, #10	
—	89335	6 Foot Platform Assembly		10	73575	Spring Clip Nut, 10-24	
—	89337	8 Foot Platform Assembly		11	73233	Foot Switch Wire Assembly with Connector.....	1
Australian models:				—	7056	Squeeze Connector, 1/2 inch NPT	
—	89746	4 Foot Platform Assembly		—	13482	Foot Switch Microswitch	
—	89747	5 Foot Platform Assembly		12	Ref.	Decal Plate (refer to 602.1)	
—	89748	6 Foot Platform Assembly		13	102992	Sliding Mid-rail Assembly with decal	1
—	89749	8 Foot Platform Assembly		—	12443	Sliding Mid-rail Guide	
(after serial number 9752)				—	12446P	Sliding Mid-rail Tube	
USA and Canadian models:				—	20973	Wire Loom, 3/8 inch	
—	111234	4 Foot Platform Assembly		—	21121	Black Cable Tie, 4 inches	
—	111235	5 Foot Platform Assembly		14	73610	Platform Entry Step	1
—	111236	6 Foot Platform Assembly		15	94745P	European Platform Entry Toeboard	1
—	111237	8 Foot Platform Assembly		16	Ref.	Platform Flooring (refer to 602.1)	
Australian models:				17	44743	Manual Storage Box with Decals (USA, Canada, Australia)	1
—	111238	4 Foot Platform Assembly		—	24514	Manual Storage Box with Decals (Europe, Asia, South America)	
—	111239	5 Foot Platform Assembly		18	79138	Nylon Sleeve	72 inches
—	111240	6 Foot Platform Assembly		19	28443	Cable Tie, 11.5 inches	3
—	111241	8 Foot Platform Assembly		20	4828	Nylock Nut, 3/8 -16	
Platform Assemblies with Symbol Decals:				21	5397	Flat Washer, 5/16 inch	
European models:				22	6019	Screw - HHC, 3/8 -16 x 1.25 inches, GR 5	
—	89744	4 Foot Platform Assembly		23	Ref.	Platform Control Box Assembly (refer to 603.1 and 604.1)	
—	89745	5 Foot Platform Assembly		24	56424	Rubber Cushioned Clamp, 1.25 x 0.5 inch	1
—	89336	6 Foot Platform Assembly					
—	89338	8 Foot Platform Assembly					
Asian and South American models:							
—	89750	4 Foot Platform Assembly					
—	89751	5 Foot Platform Assembly					
—	89752	6 Foot Platform Assembly					
—	89753	8 Foot Platform Assembly					
1	6090	Screw - HHC, 1/4 -20 x 0.75 inch, GR 5					
2	6638	Flat Washer, 1/4 inch					
3	6091	Nylock Nut, 1/4 -20					
4	53517	Rubber Grommet, 0.5 x .014 inch	2				
5	8915	Screw - HHC, 1/4 -20 x 1.25 inches, GR 5					
6	6356	Lock Washer, 1/4 inch					



Figure 602.1 **Rev** E **Description**
Platform Installation - View 2

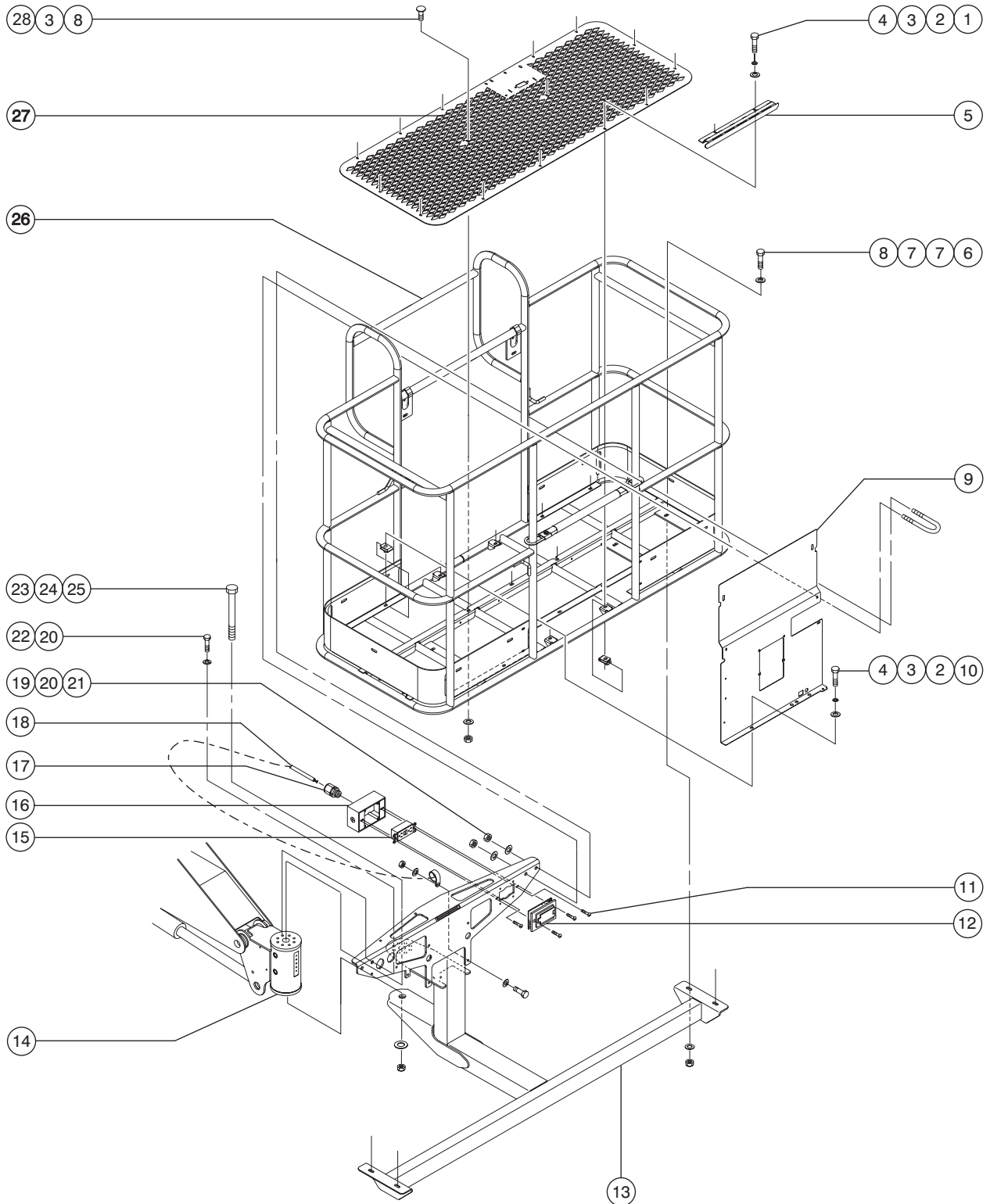


Item	Part No.	Description	Qty.	Item	Part No.	Description	Qty.
1	6888	Screw - HHC, 1/4 -20 x 1 inch, GR 5		18	43956	Electrical Cord, 14 Ga., 3 Conductor (S-40) 828 inches (S-45) 888 inches	
2	6356	Lock Washer, 1/4 inch		19	4828	Nylock Nut, 3/8 -16	
3	6638	Flat Washer, 1/4 inch		20	57201	Hardened Flat Washer, 0.313 inch 8	
4	73871	Spring Clip Nut, 1/4 -20		21	6550	U-bolt, 3/8 - 16 x 1.5 x 2.5 x 1.25 inches 2	
5	73610	Platform Entry Step 1		22	6175	Screw - HHC, 3/8 -16 x 1 inch, GR 5 (before serial number 7054) 8	
6	6019	Screw - HHC, 3/8 -16 x 1.25 inches, GR 5		—	77692	Screw - HHC, 3/8 -16 x 1 inch, GR 8 (after serial number 7053)	
7	6097	Flat Washer, 3/8 inch		23	73928	Screw - HHC, 1-8 x 11 inches, GR 5	
8	4828	Nylock Nut, 3/8 -16		24	13775	Flat Washer, 1.063 x 2 x 0.134 inch	
9	89334	Decal Plate (before serial number 7182) 1		25	29764	Nylock Nut, 1-8	
—	102145	Decal Plate with Word Decals (USA, Canada, Australia) (from serial number 7182 to 9752)		USA and Canadian Railing Assembly with Decals: (before serial number 9753)			
—	111275	Decal Plate with Word Decals (USA, Canada, Australia) (after serial number 9752)		26	77838	4 Foot Platform Railing 1	
—	102146	Decal Plate with Symbol Decals (Europe, Asia, South America) (after serial number 7181)		—	77840	5 Foot Platform Railing	
10	6090	Screw - HHC, 1/4 -20 x 0.75 inch, GR 5		—	73975	6 Foot Platform Railing	
11	75067	Screw - PHPM, 6-32 x 0.875 inch		—	73976	8 Foot Platform Railing	
12	74006	GFCI Weatherproof Cover (includes mounting fasteners) 1		(after serial number 9752)			
13	94390-S	Platform Mount (6 foot or 8 foot platform) 1		26	111250	4 Foot Platform Railing 1	
—	102679	Platform Mount (4 foot or 5 foot platform)		—	111251	5 Foot Platform Railing	
14	Ref.	Platform Rotator (refer to 505.1 or 506.1)		—	111252	6 Foot Platform Railing	
15	13585	GFCI Receptacle, 110V AC 1		—	111253	8 Foot Platform Railing	
—	33629	UK Power to Platform Plate		European Railing Assembly with Decals:			
—	33724	Gasket Kit		26	101373	4 Foot Platform Railing 1	
—	67506	UK Receptacle, 110V AC		—	101376	5 Foot Platform Railing	
16	10775	T-Box, 2.75 x 4.5 x 2 inches 1		—	101379	6 Foot Platform Railing	
17	7056	Squeeze Connector, 1/2 inch NPT 1		—	101382	8 Foot Platform Railing	
				Australian Railing Assembly with Decals:			
				26	101374	4 Foot Platform Railing 1	
				—	101377	5 Foot Platform Railing	
				—	101380	6 Foot Platform Railing	
				—	101383	8 Foot Platform Railing	

This list continues on the next page.

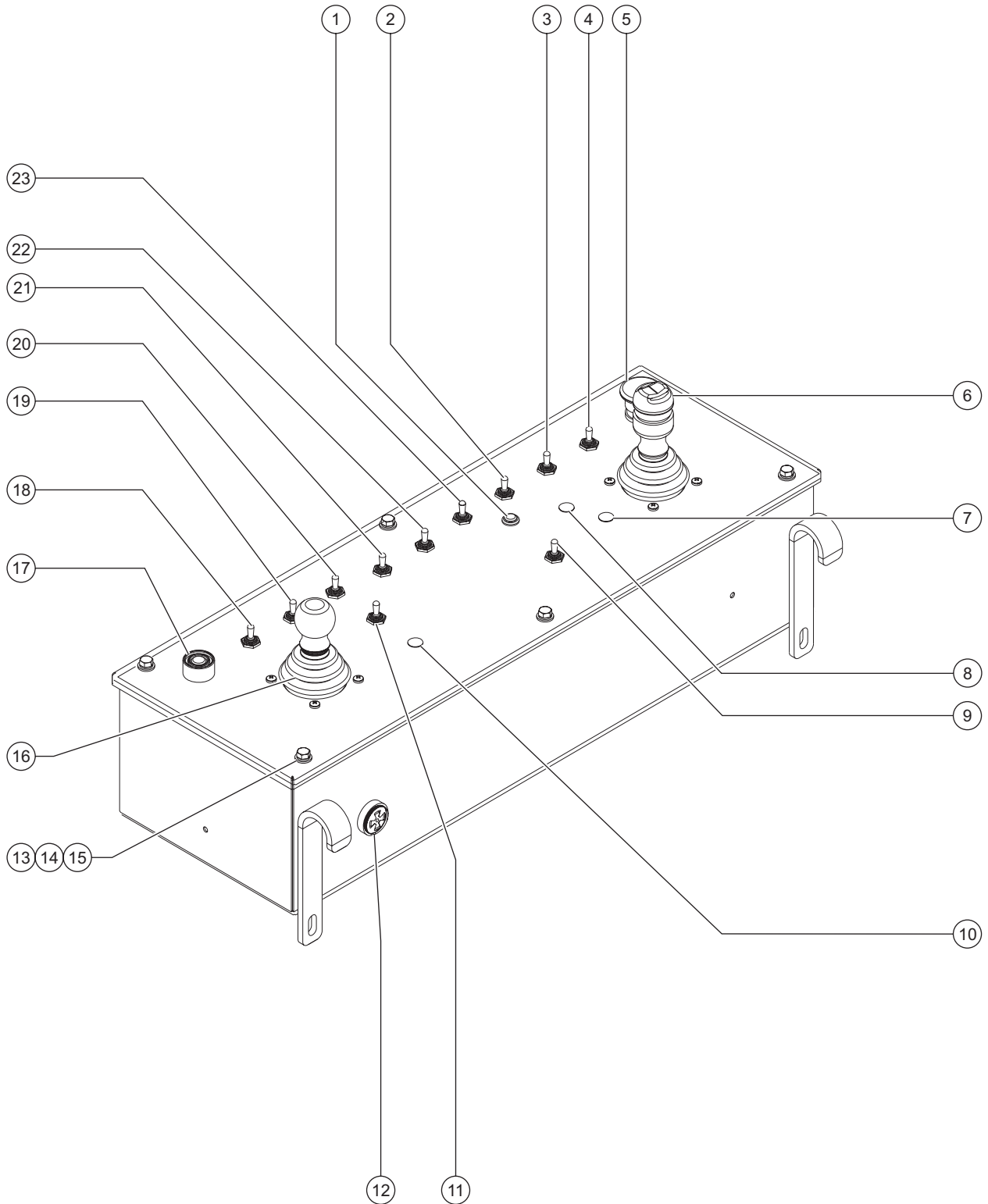


Figure 602.1 **Rev** E **Description** Platform Installation - View 2



Item	Part No.	Description	Qty.
Asian and South American Railing Assembly with Decals:			
26	101375	4 Foot Platform Railing	1
—	101378	5 Foot Platform Railing	
—	101381	6 Foot Platform Railing	
—	101384	8 Foot Platform Railing	
27	60160P	4 Foot Platform Flooring	1
—	54247P	5 Foot Platform Flooring	
—	73477P	6 Foot Platform Flooring	
—	73478P	8 Foot Platform Flooring	
28	54274	Step Bolt, 1/4 -20 x 0.75 inch	

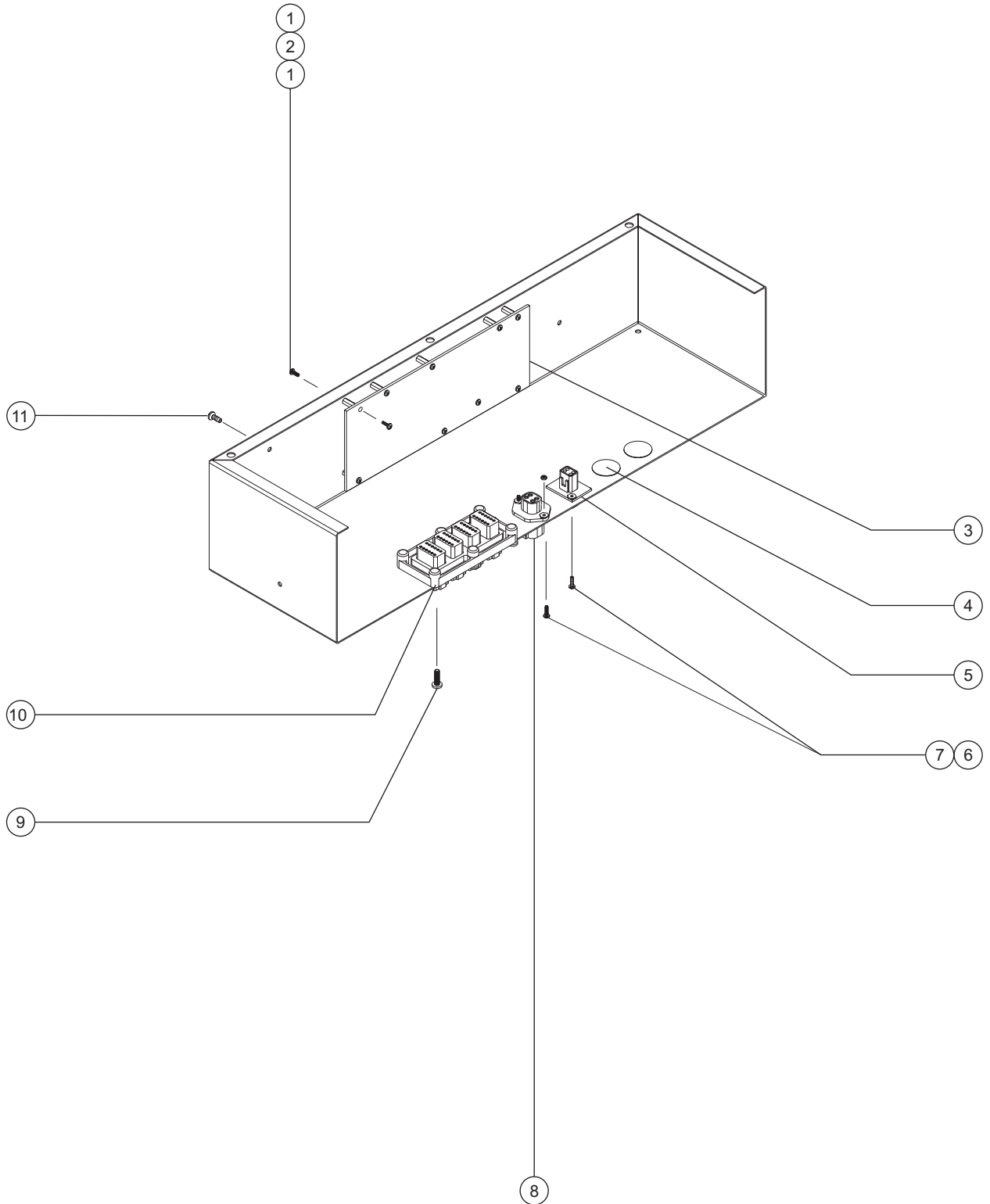
Figure 603.1
Rev B
Description Platform Control Box - View 1



Item	Part No.	Description	Qty.	Item	Part No.	Description	Qty.
—	89844	Platform Control Box Assembly (before serial number 7181)		11	13037-S	Toggle Switch (boom extend/retract)	
—	102147	Platform Control Box Assembly (after serial number 7180)				SPDT, 3 position, Momentary	1
—	27246	Rubber Boot		12	45383	Warble Tone Alarm, 5-30V DC (includes mounting fasteners)	1
—	54692	Nylon Spacer, 0.718 x 0.526 x 0.219 inch		—	72326	Ring Nut	
—	Ref.	Toggle Switch (generator option) (refer to 808.1)		13	8914	Screw - HHC, 1/4 -20 x 0.63 inch	
1	56298	Red LED Light, 12V DC	1	14	6356	Lock Washer, 1/4 inch	
—	56848	Lock Retainer Washer		15	6638	Flat Washer, 1/4 inch	
2	13037-S	Toggle Switch (engine start) SPDT, 3 position, Momentary	1	16	Ref.	Joystick Controller, Multi-axis (boom up/down and turntable left/right) (refer to 605.1)	
3	56457-S	Toggle Switch (engine idle slow/fast) SPDT, 2 position, Maintained	1	17	66813	Black Push Button	1
4	56457-S	Toggle Switch (gasoline/LPG) SPDT, 2 position, Maintained	1	—	66815	Push Button Base (includes N.O. contact)	
5	66812	Red Push Button with Base Mushroom Head	1	—	66816	N.O Contact.	
—	94506	Push Button Base (includes N.C. contacts)		18	13037-S	Toggle Switch (platform level) SPDT, 3 position, Momentary	1
—	66818	N.C. Contact		19	16397-S	Toggle Switch (platform rotate) DPDT, 3 position, Momentary	1
6	Ref.	Joystick Controller, Multi-axis (drive/steer) (refer to 605.1)		20	13037-S	Toggle Switch (jib boom up/down) SPDT, 3 position, Momentary	1
—	Ref.	Joystick Controller, Single-axis with Steer Rocker Switch (option) (refer to 605.1)		21	42730-S	Toggle Switch (auxiliary power) SPDT, 2 position, Momentary	1
7	45384	Black Plastic Plug, 0.5 inch	1	22	56457-S	Toggle Switch (drive speed select) SPDT, 2 position, Maintained	1
—	56298	Red LED Light, 12V DC (tilt alarm)		23	13037-S	Toggle Switch (glow plug option) SPDT, 3 position, Momentary	1
8	45384	Black Plastic Plug, 0.5 inch	1				
—	56298	Red LED Light, 12V DC (platform overload)					
9	13037-S	Toggle Switch (drive enable) SPDT, 3 position, Momentary	1				
10	45384	Black Plastic Plug, 0.5 inch	1				
—	27378-S	Toggle Switch (work/drive light option) DPDT, 2 Position, Maintained	1				



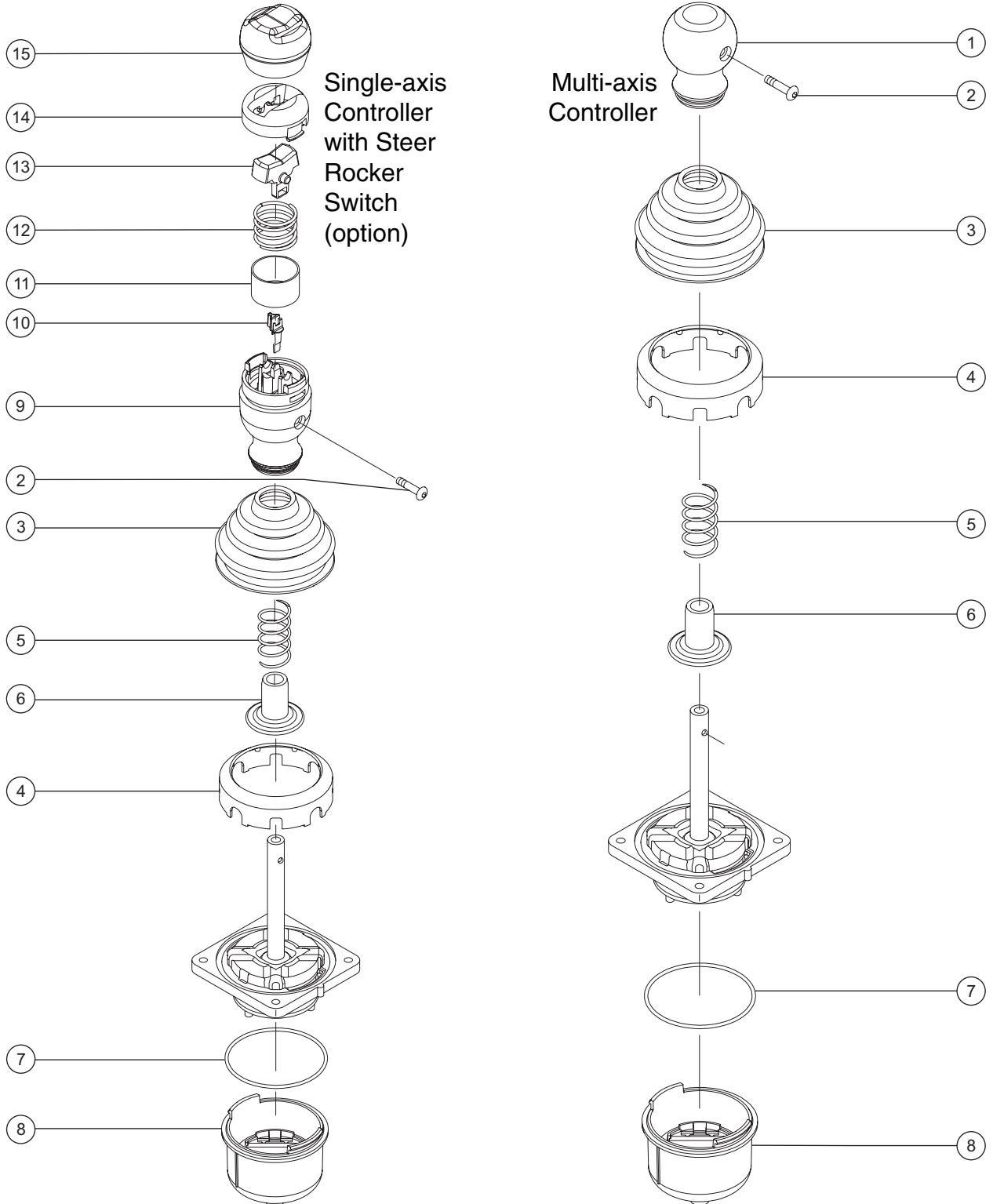
Figure 604.1 **Rev** F **Description** Platform Control Box - View 2



Item	Part No.	Description	Qty.
1	81551	Screw - PHM, 6-32 x 0.375 inch	
2	81550	Standoff, 6-32 x 0.75 x 0.25	10
3	94771	Printed Circuit Board (before serial number 7569)	1
—	102259	Printed Circuit Board (after serial number 7568)	
—	Ref.	Wire Harness and Power Cable Assemblies (refer to 311.1)	
4	45385	Nylon Plug, Black Domed, 1.12 inches	2
—	7056	Squeeze Connector, 1/2 inch NPT	
—	6935	Electric Locknut, 1/2 inch	
5	60443	Receptacle Lock, 4 Way, 14-18 Ga.	1
—	73723	Receptacle Connector	
6	49820	Screw - PHM, 6-32 x 0.5 inch	
7	12344	Nylock Nut, 6-32	
8	73717	Receptacle Connector, 4 way, 12-14 Ga.	1
—	73711	Pin Terminal, 12-14	
—	60526	Receptacle Lock, 4 way, 12-14 Ga.	
9	73803	Screw - SHM, PHP, 12 x 3/4 inch	
10	73736	Receptacle Connector, 48 way	1
—	83130	Pin Terminal, 16-18 Ga.	
—	54255	Receptical Lock, 12 Way, 14-18 Ga.	
11	42781	Plastic Plug, 1/4 inch	1

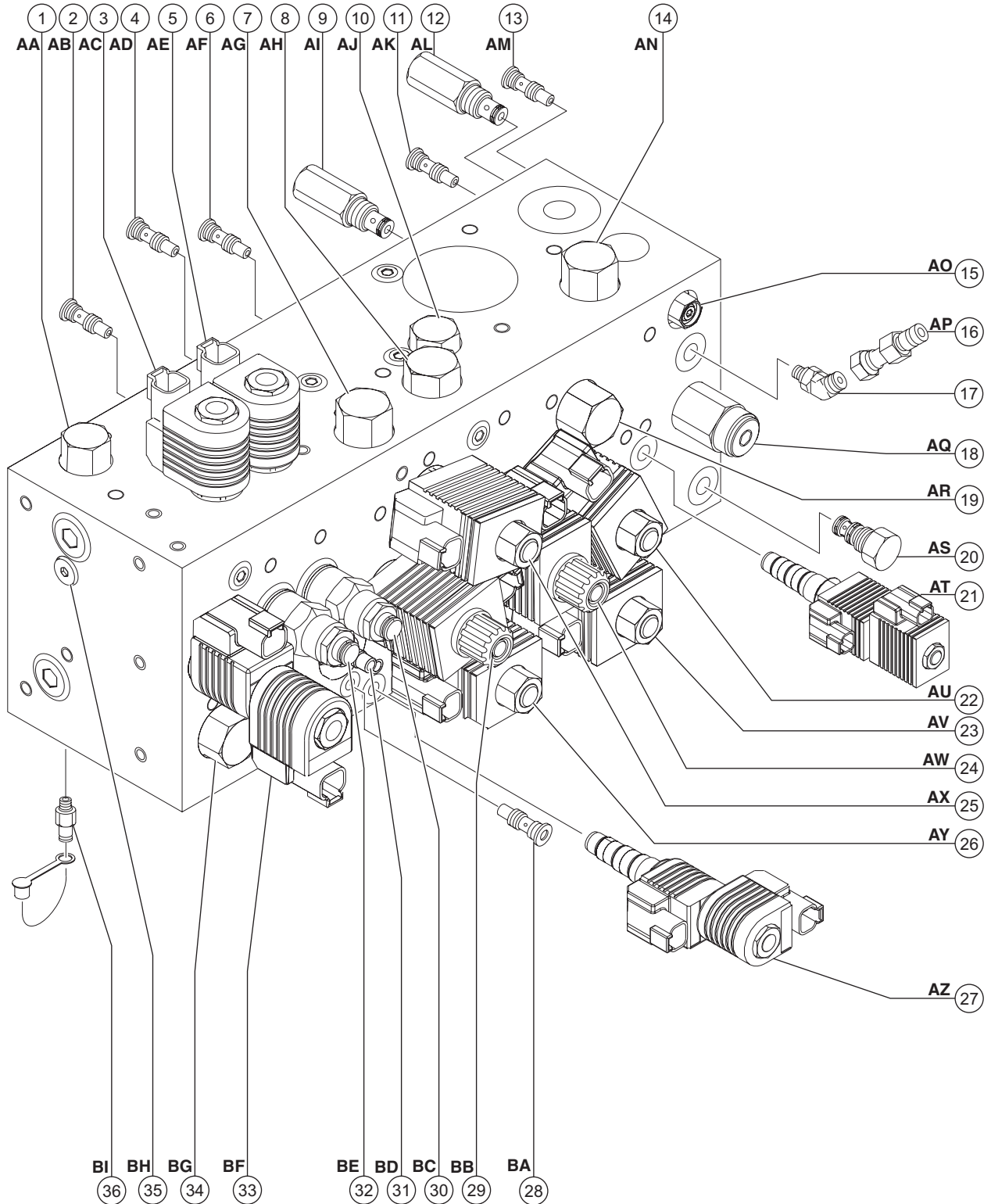


Figure 605.1 **Rev** A **Description** Joystick Controllers



Item	Part No.	Description	Qty.
—	62390	Joystick Controller, Multi-axis (drive/steer, boom up/down and turntable rotate functions) (calibration required after replacement)	
—	75565	Joystick Controller, Single-axis with Steer Rocker Switch (option) (drive/steer functions) (calibration required after replacement)	
—	83098	Amp Terminal, 22-24 Ga.	
1	62392	Joystick Knob	1
2	62393	Screw - PHM, 6-32 x 5/8 inch	
3	62394	Joystick Rubber Boot	1
4	75143	Boot Guard	1
5	62395	Joystick Centering Spring	1
6	62396	Joystick Centering Collar	1
7	62397	Joystick Housing O-ring	1
8	62398	Joystick Housing	1
9	75449	Joystick Knob	1
10	75448	Sensor Support	1
11	75447	Switch Shield	1
12	75446	Centering Spring	1
13	75445	Rocker Switch Assembly	1
14	75444	Rocker Switch Retainer	1
15	75443	Rocker Switch Boot	1

Figure 701.1
Rev F
Description Function Manifold

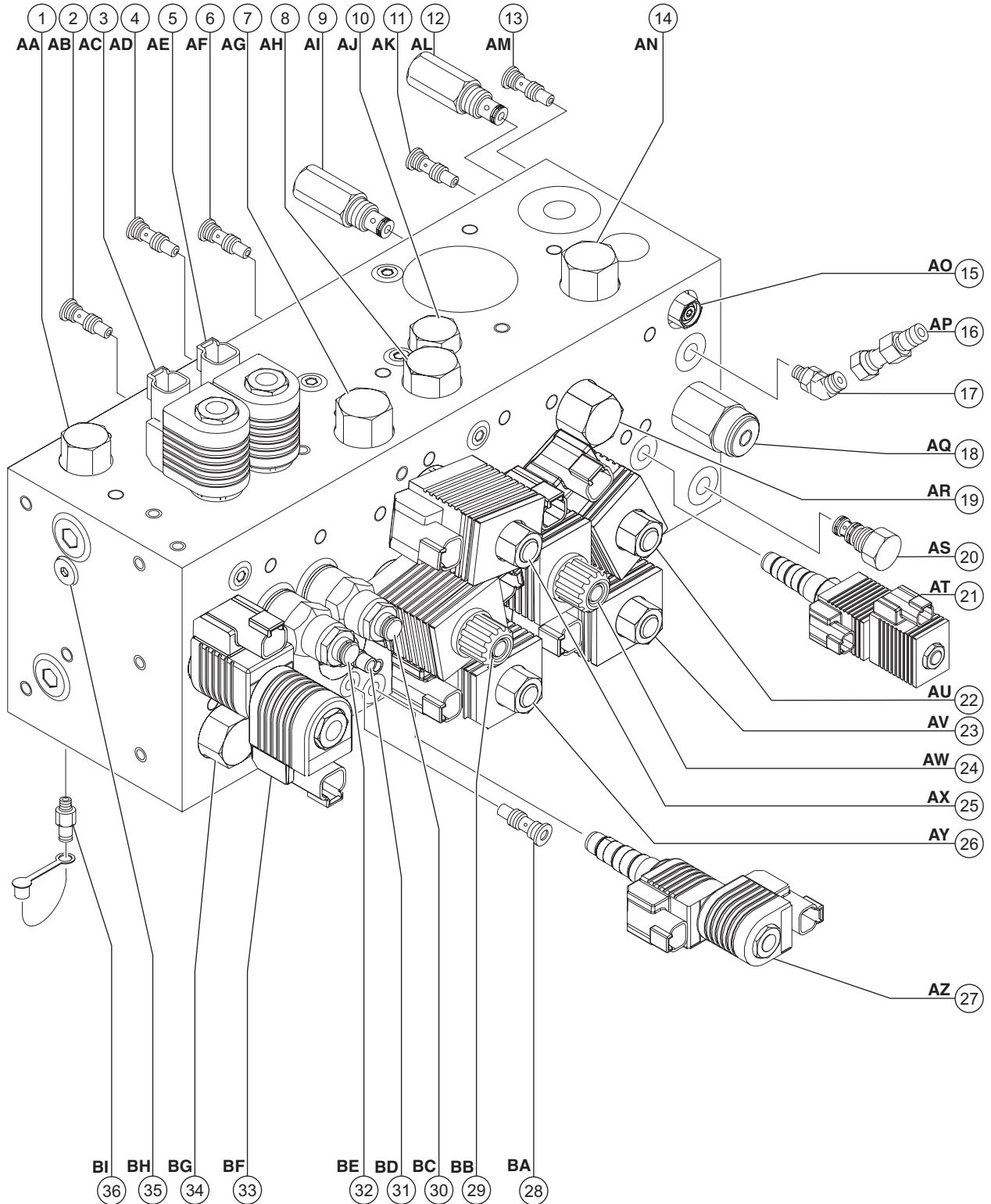


Item	Part No.	Description	Letter	Function
—	89814	Function Manifold, S-40 complete, (includes items 1-15 and 17-34)		
—	89073	Function Manifold, S-45 complete, (includes items 1-15 and 17-34)		
—	28750	O-ring Kit (services SAE fittings, Compact Controls and Sun Valves)		
—	49612	O-ring Kit (services ORFS fittings)		
—	33994	Plug and Cap Kit (for SAE ports)		
—	49613	Plug and Cap Kit (for ORFS fittings)		
—	Ref.	Harness, Gearbox, Function Manifold (refer to 311.1)		
1	52598	Flow Regulator Valve, 0.8 gpm / 3.03 L/min (S-45)	AA	Platform rotate and jib boom
—	74902	Seal Kit		
—	31100	Flow Regulator Valve, 0.6 gpm / 2.27 L/min (S-40)	AA	Platform rotate
—	74902	Seal Kit		
2	27807	Check Valve	AB	Differential sensing circuit,
—	110200	Seal Kit		Platform rotate right and jib boom down (S-45)
3	62263	Solenoid Valve, 2 position 3 way	AC	Platform level up/down
—	62273	Coil, 10V DC		
—	19792	Coil Nut		
—	72043	Seal Kit		
4	27807	Check Valve	AD	Differential sensing circuit,
—	110200	Seal Kit		Platform level up
5	62263	Solenoid Valve, 2 position 3 way	AE	Platform level up / down
—	62273	Coil, 10V DC		
—	19792	Coil Nut		
—	72043	Seal Kit		
6	27807	Check Valve	AF	Differential sensing circuit, Boom up / down
7	27802	Differential Sensing Valve, 150 psi / 10.3 bar	AG	Turntable rotate circuit
—	110196	Seal Kit		
8	27802	Differential Sensing Valve, 150 psi / 10.3 bar	AH	Boom up / down circuit
—	110196	Seal Kit		
9	102615	Relief Valve, 2200 psi / 152 bar	AI	System relief
—	74902	Seal Kit		
10	32975	Flow Regulator Valve, 0.1 gpm / 0.38 L/min	AJ	Bleeds off differential sensing valves to tank
—	74902	Seal kit		
11	27807	Check Valve	AK	Differential sensing circuit, Boom up / down
—	110200	Seal Kit		
12	102614	Relief Valve, 1950 psi / 134 bar	AL	System relief
—	74902	Seal Kit		

This list continues on the next page.



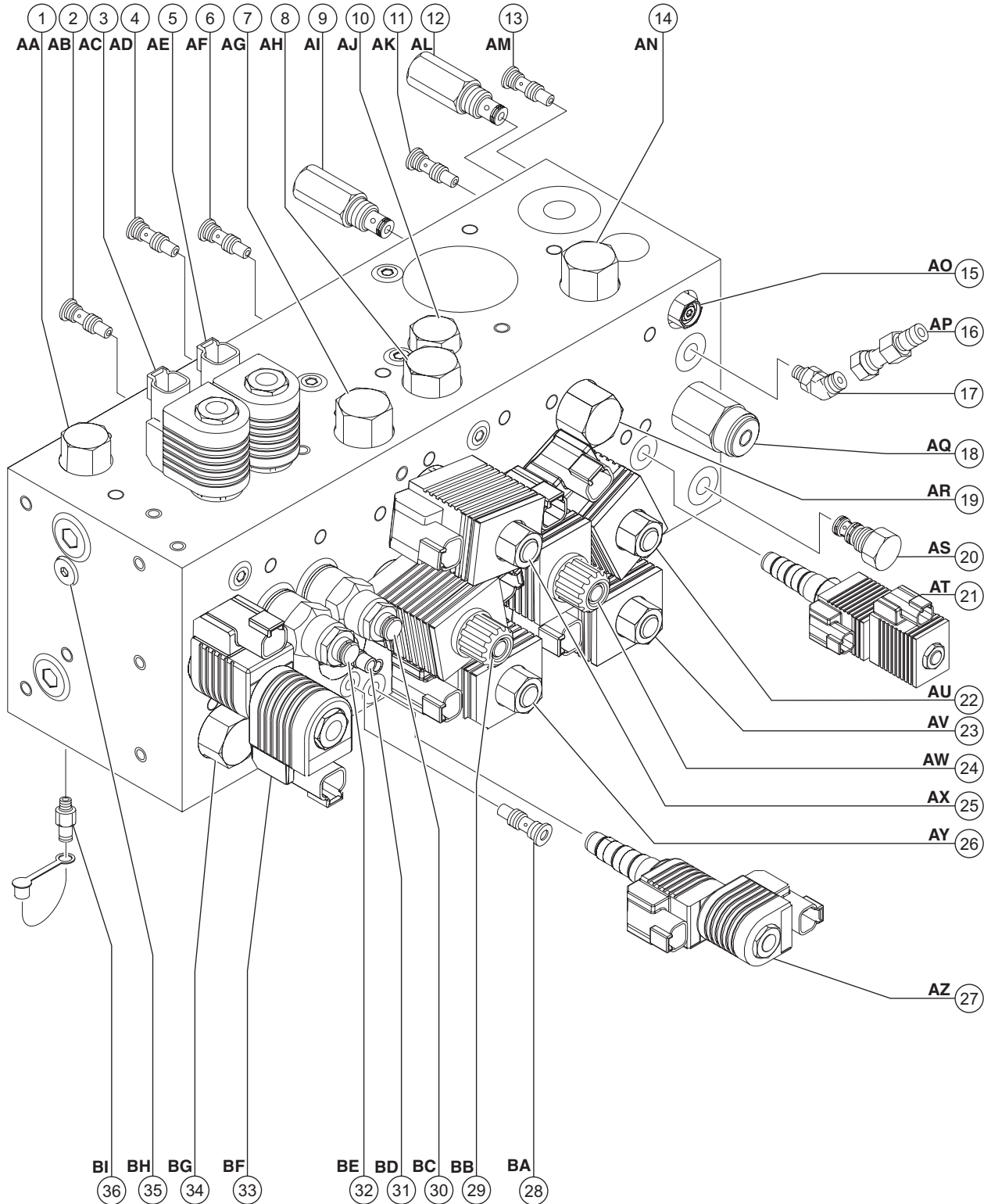
Figure 701.1
Rev F
Description Function Manifold



Item	Part No.	Description	Letter	Function
13	27807	Check Valve	AM	Differential sensing circuit, boom
—	110200	Seal Kit		extend / retract
14	30968	Flow Regulator Valve, 2 gpm / 7.6 L/min	AN	Steer left / right circuit
—	110202	Seal Kit		
15	89851	Check Valve	AO	Platform level up
—	110205	Seal Kit		
16	49207	Diagnostic Nipple, Female Swivel, 4 ORFS	AP	Testing
—	20224	Female Quick Disconnect for Pressure Gauge		
—	48880	Diagnostic Nipple Cap (not shown) (sold separately)		
17	48907	Fitting, 45° Elbow, 4 ORFS x 4 SAE (SAE 520320)		
18	102616	Relief Valve, 2900 psi / 200 bar (S-45)	AQ	System relief
—	102617	Relief Valve, 2600 psi / 179 bar (S-40)	AQ	System relief
—	110194	Seal Kit		
19	27764	Flow Regulator Valve, 4.5 gpm / 17.03 L/min	AR	Bleeds off differential sensing
—	110194	Seal Kit		valves to tank
20	27836	Check Valve	AS	Blocks flow from auxiliary pump to
—	110194	Seal Kit		function pump
21	111703	Solenoid Valve, 3 position 4 way	AT	Steer left / right
—	89861	Coil, 10V DC (for solenoid part number 62260)		
—	111778	Coil, 10V DC (for solenoid part number 111703)		
—	89854	Dual Coil Spacer (for solenoid part number 62260)		
—	19792	Coil Nut		
—	110196	Seal Kit (for solenoid part number 62260)		
—	111779	Seal Kit (for solenoid part number 111703)		
22	89309	Solenoid Valve, 2 position 3 way	AU	Boom extend
—	62275	Coil, 10V DC		
—	45912	Coil Nut		
—	84133	Seal Kit		
23	89309	Solenoid Valve, 2 position 3 way	AV	Boom retract
—	62275	Coil, 10V DC		
—	45912	Coil Nut		
—	84133	Seal Kit		
24	62255	Proportional Valve, 12V DC	AW	Boom up / down circuit
—	62274	Coil, 12V DC		
—	89855	O-ring, Upper		
—	89856	O-ring, Lower (sold separately)		
—	62276	Coil Nut		
—	110204	Seal Kit		
25	89309	Solenoid Valve, 2 position 3 way	AX	Boom up
—	62275	Coil, 10V DC		
—	45912	Coil Nut		
—	84133	Seal Kit		

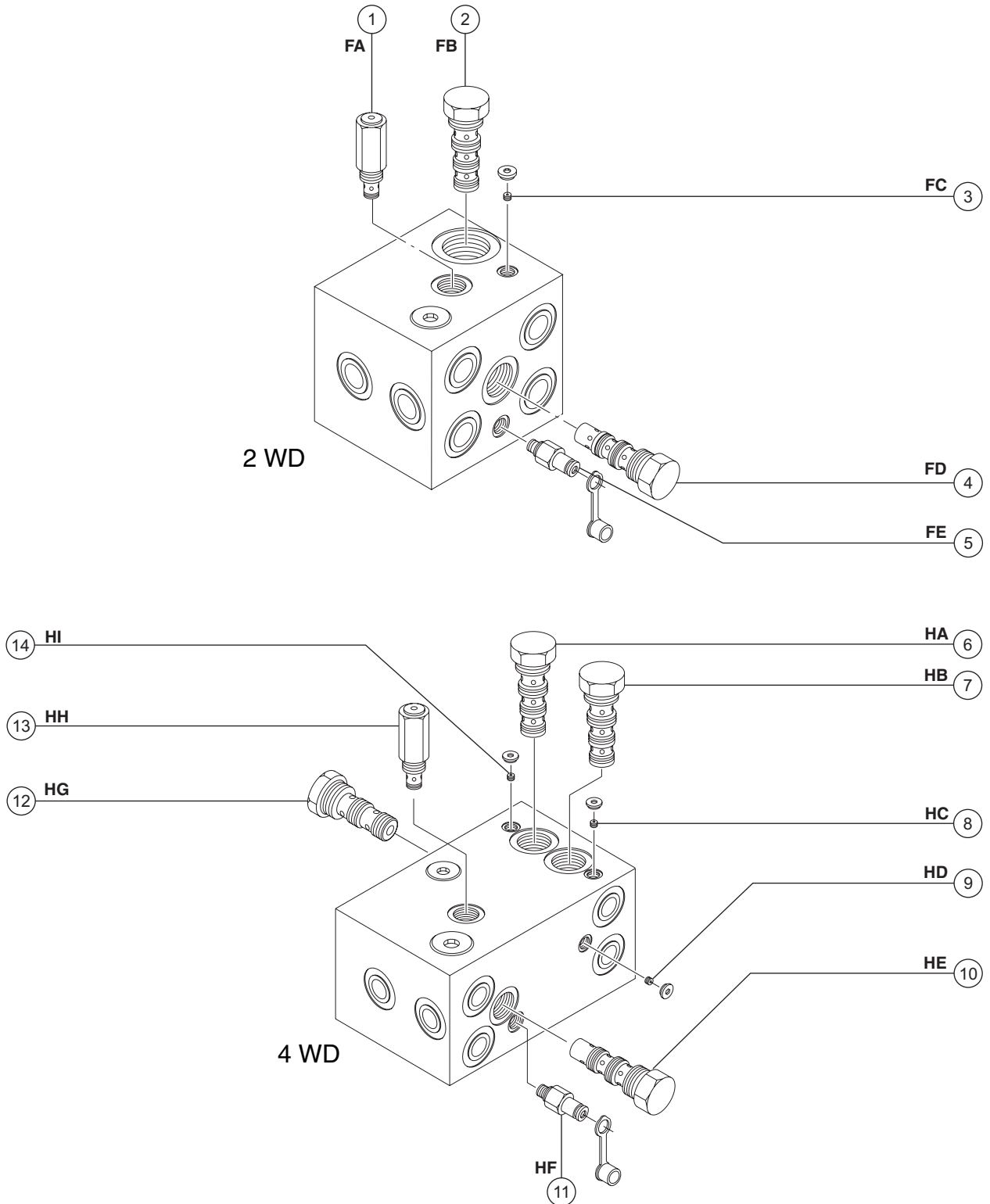
This list continues on the next page.

Figure 701.1
Rev F
Description Function Manifold



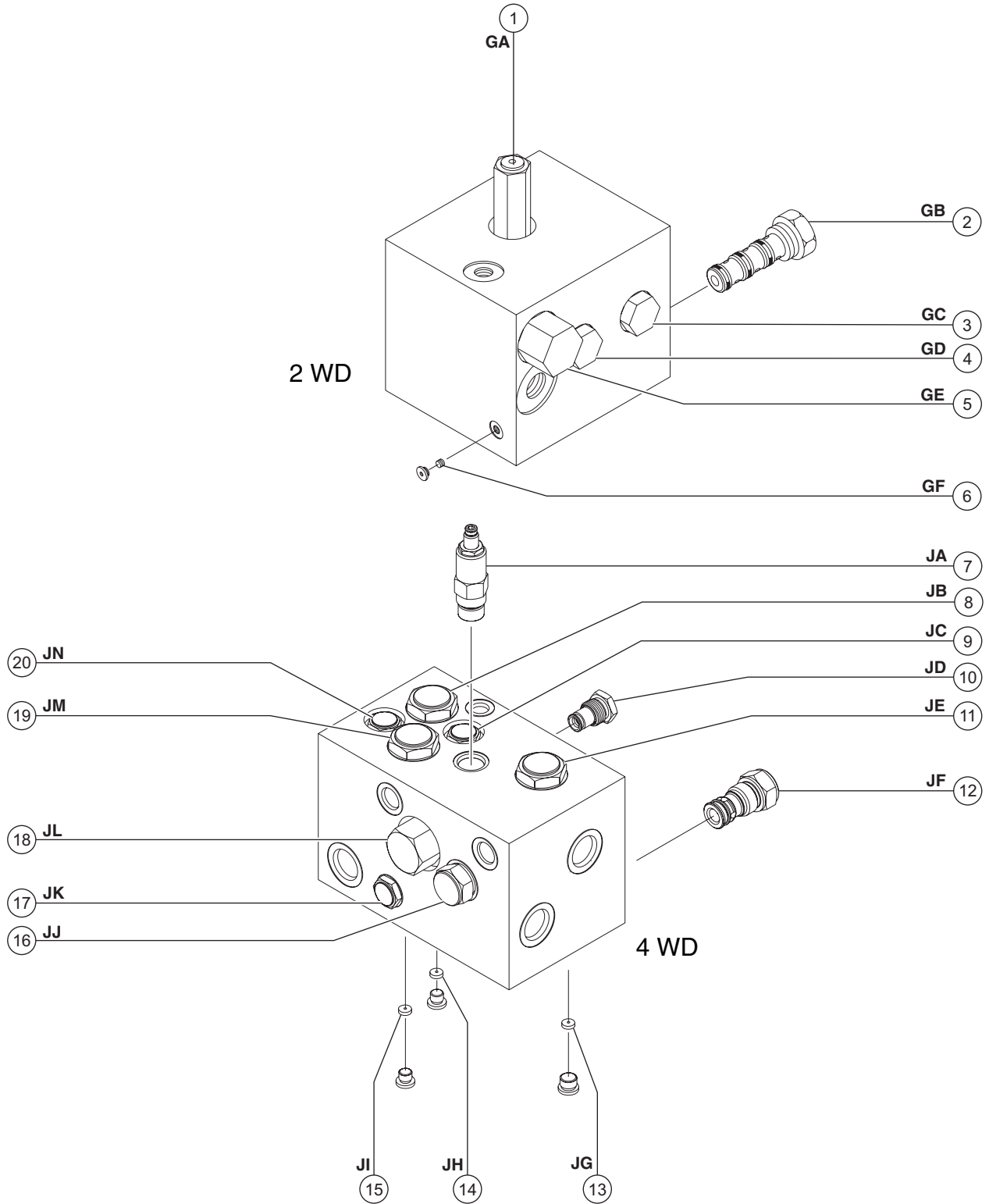
Item	Part No.	Description	Letter	Function
26	89309	Solenoid Valve, 2 position 3 way	AY	Boom down
—	62275	Coil, 10V DC		
—	45912	Coil Nut		
—	84133	Seal Kit		
27	89307	Solenoid Valve, 3 position 4 way	AZ	Turntable rotate left / right
—	62273	Coil, 10V DC		
—	89311	Dual Coil Spacer		
—	19792	Coil Nut		
28	27807	Check Valve	BA	Platform level down
—	110200	Seal Kit		
29	62255	Proportional Valve, 12V DC	BB	Turntable rotate left / right
—	62274	Coil, 12V DC		
—	89855	O-ring		
—	89856	O-ring, Lower (sold separately)		
—	62276	Coil Nut		
—	110204	Seal Kit		
30	62256	Counterbalance Valve, 3500 psi / 242 bar	BC	Platform level up
—	110202	Seal Kit		
31	89678	Needle Valve	BD	Platform level circuit
—	74902	Seal Kit		
32	62256	Counterbalance Valve, 3500 psi / 242 bar	BE	Platform level down
—	110202	Seal Kit		
33	89307	Solenoid Valve, 3 position 4 way	BF	Platform rotate and jib boom up / down (S-45)
—	62273	Coil, 10V DC		
—	89311	Dual Coil Spacer		
—	19792	Coil Nut		
—	72047	Seal Kit		
34	27804	Differential Sensing Valve, 150 psi / 10.3 bar	BG	Differential sensing circuit, meters flow to functions
—	110201	Seal Kit		
35	27807	Check Valve	BH	Differential sensing circuit, platform rotate left and jib boom up (S-45)
—	110200	Seal Kit		
36	48997	Diagnostic Nipple, 4 SAE	BI	Testing
—	20224	Female Quick Disconnect for Pressure Gauge (sold separately)		
—	48880	Diagnostic Nipple Cap		

Figure 702.1 **Rev** B **Description** Traction Manifold (before serial number 7569)



Item	Part No.	Description	Letter	Function
—	34448	2WD Drive Manifold, Complete (includes items 1-6)		
—	34447	4WD Drive Manifold, Complete (includes items 7-14)		
—	28750	O-ring Kit (services SAE fittings, Compact Controls and Sun valves)		
—	49612	O-ring Kit (services ORFS fittings)		
—	33994	Plug and Cap Kit (for SAE ports)		
—	49613	Plug and Cap Kit (for ORFS fittings)		
1	43597	Relief Valve, 210 psi / 14.5 bar	FA	Charge pressure circuit
2	52726	Flow Divider/Combiner Valve	FB	Controls flow to drive motors in forward and reverse
3	33520	Orifice Plug, 0.070 inch	FC	Equalizes flow across flow divider/ combiner valve (FB)
4	27761	Shuttle Valve, 3 position 3 way	FD	Charge pressure, hot oil shuttle
5	48997	Diagnostic Nipple, 4 SAE	FE	Testing
—	20224	Female Quick Disconnect for Pressure Gauge		
—	48880	Cap, Diagnostic Nipple		
6	52726	Flow Divider/Combiner Valve	HA	Controls flow to steer end drive motors in forward and reverse
7	52726	Flow Divider/Combiner Valve	HB	Controls flow to non-steer end drive motors in forward and reverse
8	33520	Orifice Plug, 0.070 inch	HC	Rear drive motor circuit
9	33520	Orifice Plug, 0.070 inch	HD	Equalizes pressure on both sides of flow divider/combiner valve 12 (HG)
10	27761	Shuttle Valve, 3 position 3 way	HE	Charge pressure, hot oil shuttle
11	48997	Diagnostic Nipple, 4 SAE	HF	Testing
—	20224	Female Quick Disconnect for Pressure Gauge		
—	48880	Cap, Diagnostic Nipple		
12	33521	Flow Divider/Combiner Valve	HG	Controls flow to flow divider/ combiner valves 6 and 7 (HA and HB)
13	43597	Relief Valve, 210 psi / 14.5 bar	HH	Charge pressure circuit
14	29737	Orifice Plug, 0.052 inch	HI	Front drive motor circuit

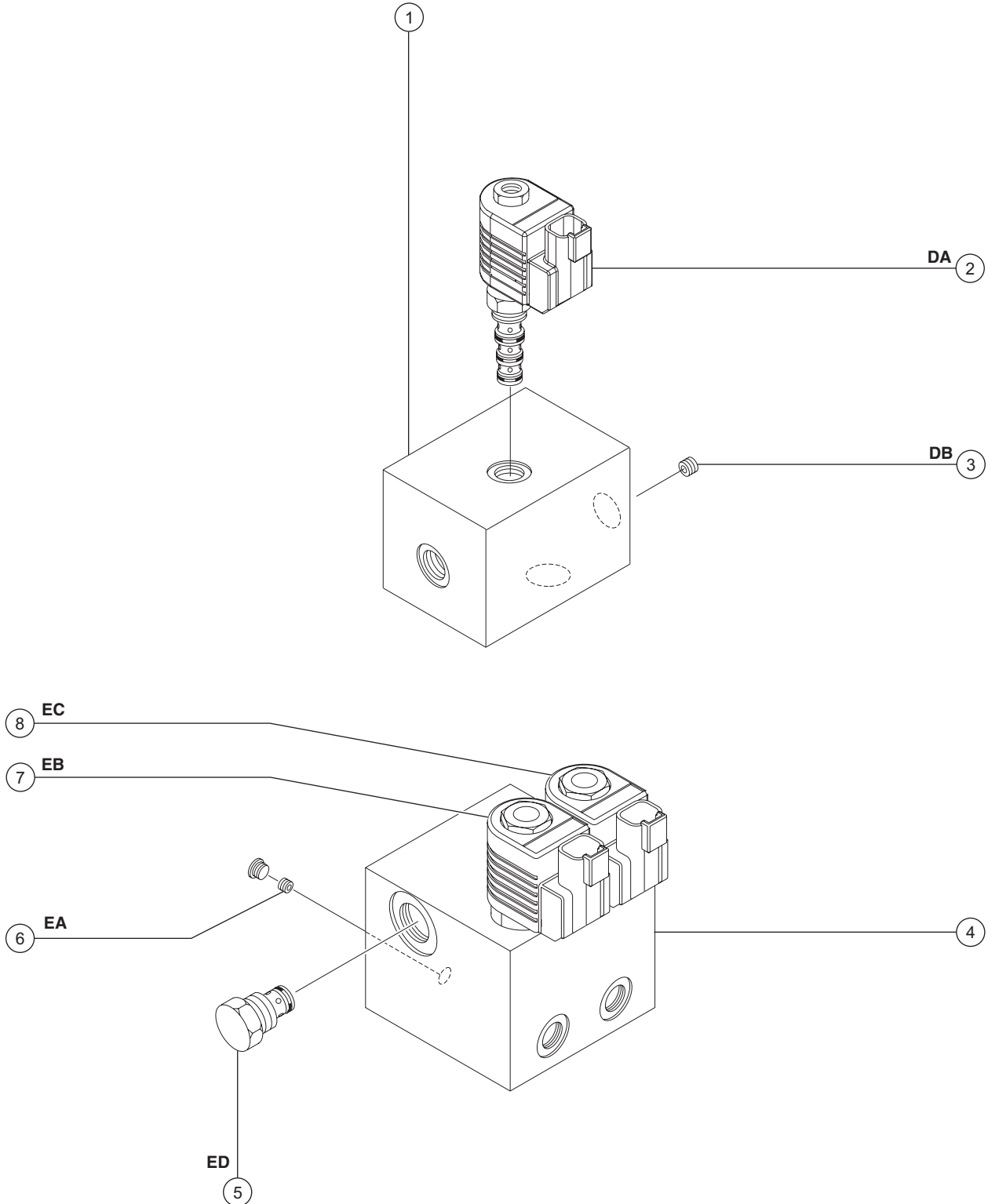
Figure 702.2 **Rev** B **Description** Traction Manifold (after serial number 7568)



Item	Part No.	Description	Letter	Function
—	88783	2WD Traction Manifold, Complete		
—	88784	4WD Traction Manifold, Complete		
—	28750	O-ring Kit (services SAE fittings, Compact Controls, and Sun valves)		
—	49612	O-ring Kit (services ORFS fittings)		
—	33994	Plug and Cap Kit (for SAE ports)		
—	49613	Plug and Cap Kit (for ORFS fittings)		
1	94758	Relief Valve, 280 psi / 19.3 bar	GA	Charge pressure circuit
—	110194	Seal Kit		
2	52726	Flow Divider/Combiner Valve	GB	Controls flow to drive motors in forward and reverse
—	84135	Seal Kit		
3	27836	Check Valve, 5 psi / 0.34 bar	GC	Drive circuit
—	110194	Seal Kit		
4	27836	Check Valve, 5 psi / 0.34 bar	GD	Drive circuit
—	110194	Seal Kit		
5	27761	Shuttle Valve, 3 position 3 way	GE	Controls flow to drive motors in forward and reverse
—	84134	Seal Kit		
6	101440	Orifice Plug, 0.070 inch / 1.78 mm	GE	Equalizes flow across flow divider combiner valve 2
7	101446	Relief Valve, 260 psi / 17.2 bar	JA	Charge pressure circuit
8	94752	Flow Divider/Combiner Valve	JB	Controls flow to non-steer end drive motors in forward and reverse
9	94757	Check Valve, 3 psi / 0.2 bar	JC	Steer end drive motor circuit
10	94757	Check Valve, 3 psi / 0.2 bar	JD	Non-steer end drive motor circuit
11	94754	Flow Divider/Combiner Valve	JE	Controls flow to flow divider/combiner valves 8 and 19
12	94756	Check Valve, 2.5 psi / 0.17 bar	JF	Non-steer end drive motor circuit
13	94751	Orifice Plug, 0.040 inch / 1.02 mm	JG	Equalizes pressure on both sides of flow divider/combiner valve 11
14	94751	Orifice Plug, 0.040 inch / 1.02 mm	JH	Equalizes pressure on both sides of flow divider/combiner valve 8
15	94751	Orifice Plug, 0.040 inch / 1.02 mm	JI	Equalizes pressure on both sides of flow divider/combiner valve 19
16	94756	Check Valve, 2.5 psi / 0.17 bar	JJ	Steer end drive motor circuit
17	94757	Check Valve, 3 psi / 0.2 bar	JK	Steer end drive motor circuit
18	94753	Shuttle Valve, 40 psi / 2.8 bar	JL	Charge pressure circuit that directs hot oil out of low pressure side of drive pump
19	94752	Flow Divider/Combiner Valve	JM	Controls flow to steer end drive motors in forward and reverse
20	94757	Check Valve, 3 psi / 0.2 bar	JN	Non-steer end drive motor circuit

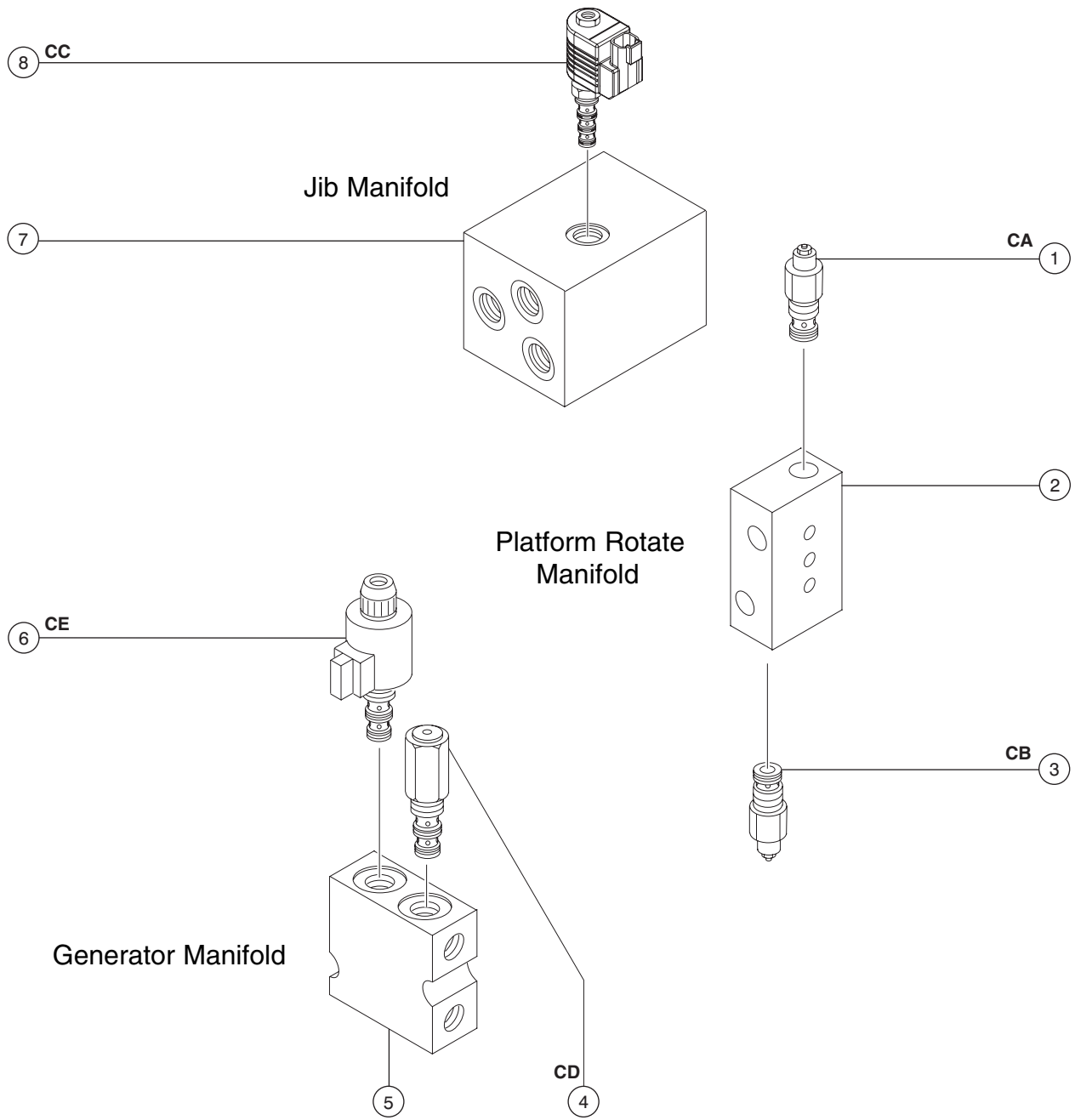


Figure 703.1 **Rev** B **Description** Two-Speed/Brake Manifold



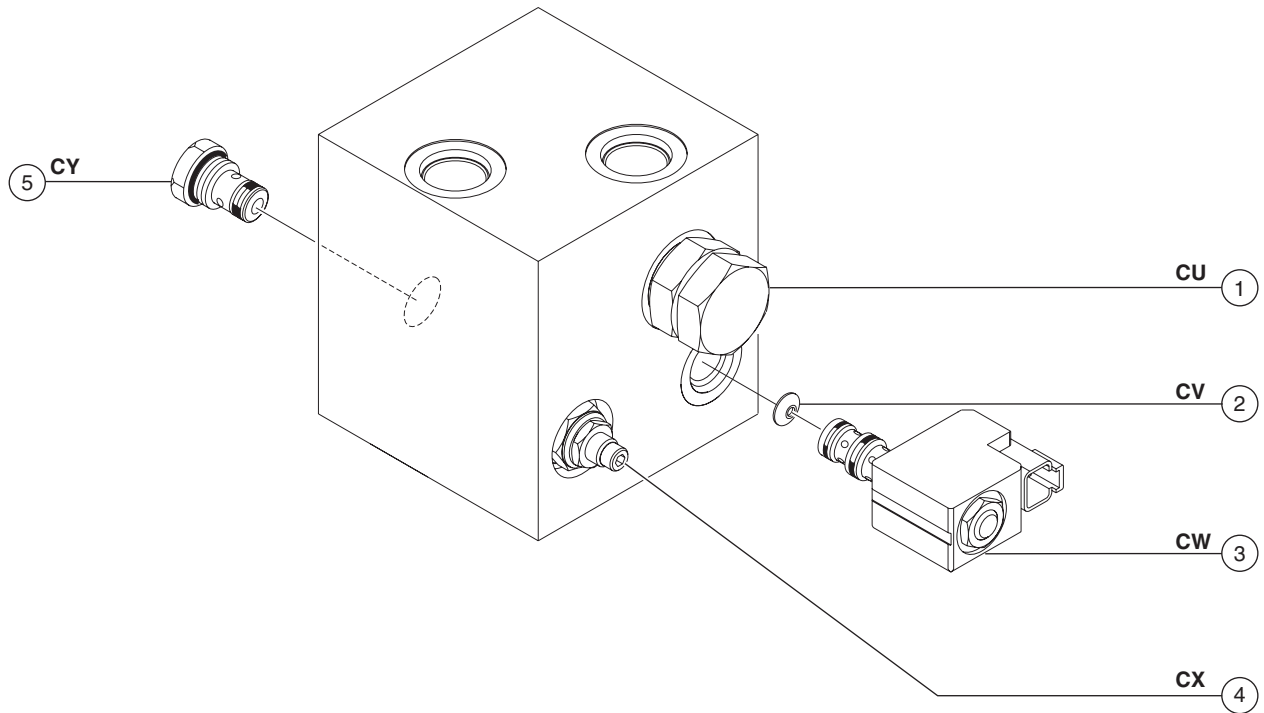
Item	Part No.	Description	Letter	Function
1	89572	Two-Speed/Brake Manifold (before serial number 7569)		
—	28750	O-ring Kit (services SAE fittings, Compact Controls and Sun valves)		
—	49612	O-ring Kit (services ORFS)		
—	33994	Plug and Cap Kit (for SAE ports)		
—	49613	Plug and Cap Kit (for ORFS)		
2	89857	Solenoid Valve, 2 position 3 way	DA	Brake release
—	45912	Coil Nut		
—	62273	Coil, 10V DC		
3	74404	Orifice Plug, 0.025 inch	DB	Turntable rotation brake release
4	88785	Two-Speed/Brake Manifold (after serial number 7568)		
5	94761	Check Valve	ED	Brake release circuit
6	94764	Orifice Plug, 0.025 inch	EA	Turntable rotation brake release
7	94760	Solenoid Valve, 2 position 3 way	EB	Brake release
—	94765	Coil, 10V DC		
—	94759	Coil Nut		
8	94760	Solenoid Valve, 2 position 3 way	EC	Two speed motor shift
—	94765	Coil, 10V DC		
—	94759	Coil Nut		

Figure 704.1 **Rev** B **Description** Jib Select, Platform Rotate and Generator Manifolds



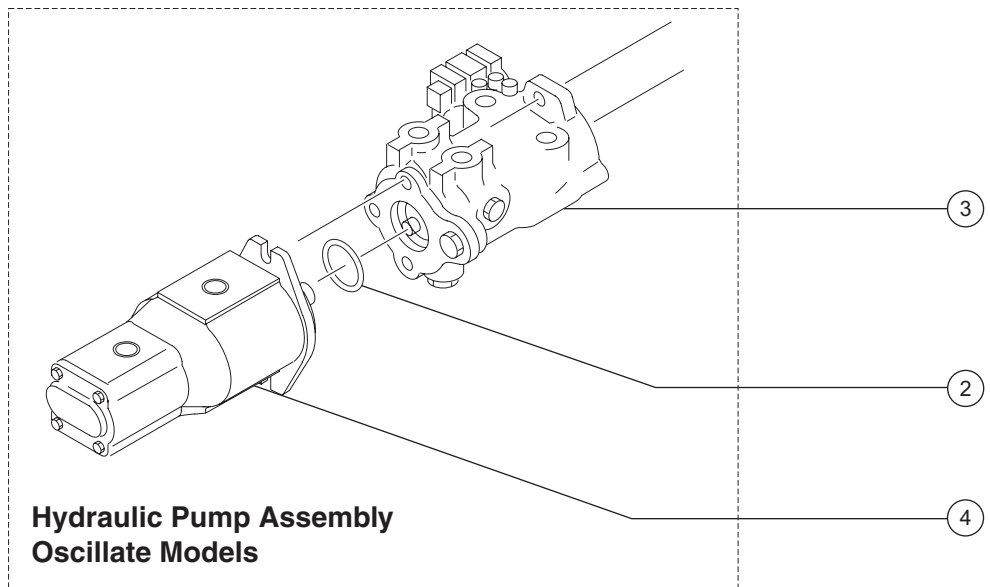
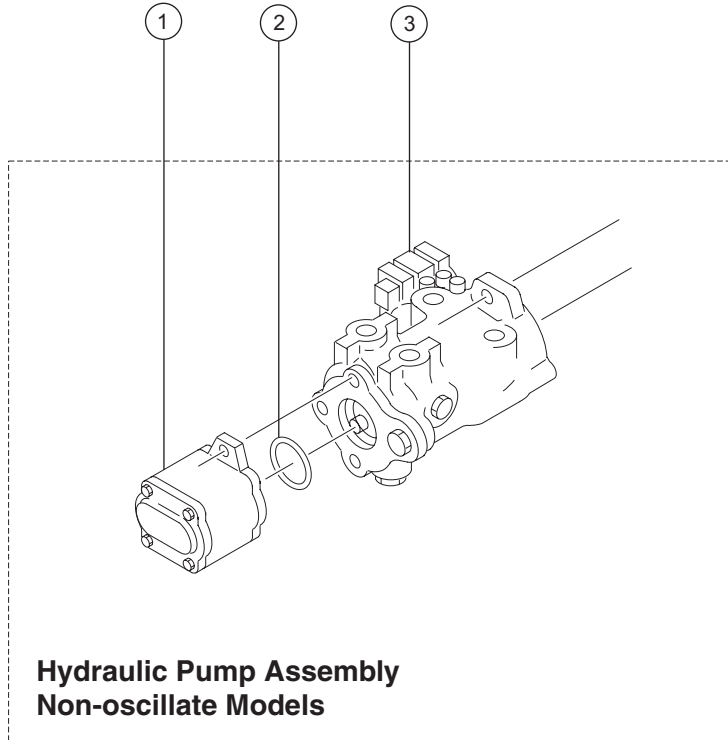
Item	Part No.	Description	Letter	Function
1	62506	Counterbalance Valve, 3300 psi / 228 bar	CA	Platform rotate right
—	43018	Seal Kit		
2	73807	Platform Rotate Dual Counterbalance Valve Manifold		
—	62507	O-ring		
3	62506	Counterbalance Valve, 3300 psi / 228 bar	CB	Platform rotate left
—	43018	Seal Kit		
4	31529	Relief Valve, 2400 psi / 165.5 bar	CD	Generator overload relief
5	53976	Generator Manifold		
6	19969	Solenoid Valve, 2 position 3 way, 12V DC	CE	Controls generator on / off
—	27535	Coil, 12V DC		
—	45782	Diode, 6A		
—	45914	O-ring		
—	33568	Coil Nut		
—	110198	Seal Kit		
7	88786	Jib Select Manifold		
8	89862	Solenoid Valve, 2 position 3 way	CC	Platform rotate / jib boom select
—	89864	Seal Kit		
—	104759	Coil, 10V DC		
—	44174	Coil Nut		

Figure	Rev	Description
705.1	A	Oil Diverter Manifold (welder option)



Item	Part No.	Description	Letter	Function
—	101516	Oil Diverter Manifold (welder option)		
1	102746	Pilot Operated Directional Valve	CU	Diverter valve
2	106394	Orifice Disc, 0.30 inch / 0.76 mm	CV	Delays shift to drive
3	94760	Solenoid Valve, 10V DC	CW	Pilot valve to diverter
—	94765	Coil, 12V DC		
—	94759	Coil Nut		
4	101446	Relief Valve, 250 psi / 17.2 bar	CX	Charge pressure circuit
5	94757	Check Valve	CY	Prevents oil flow to generator

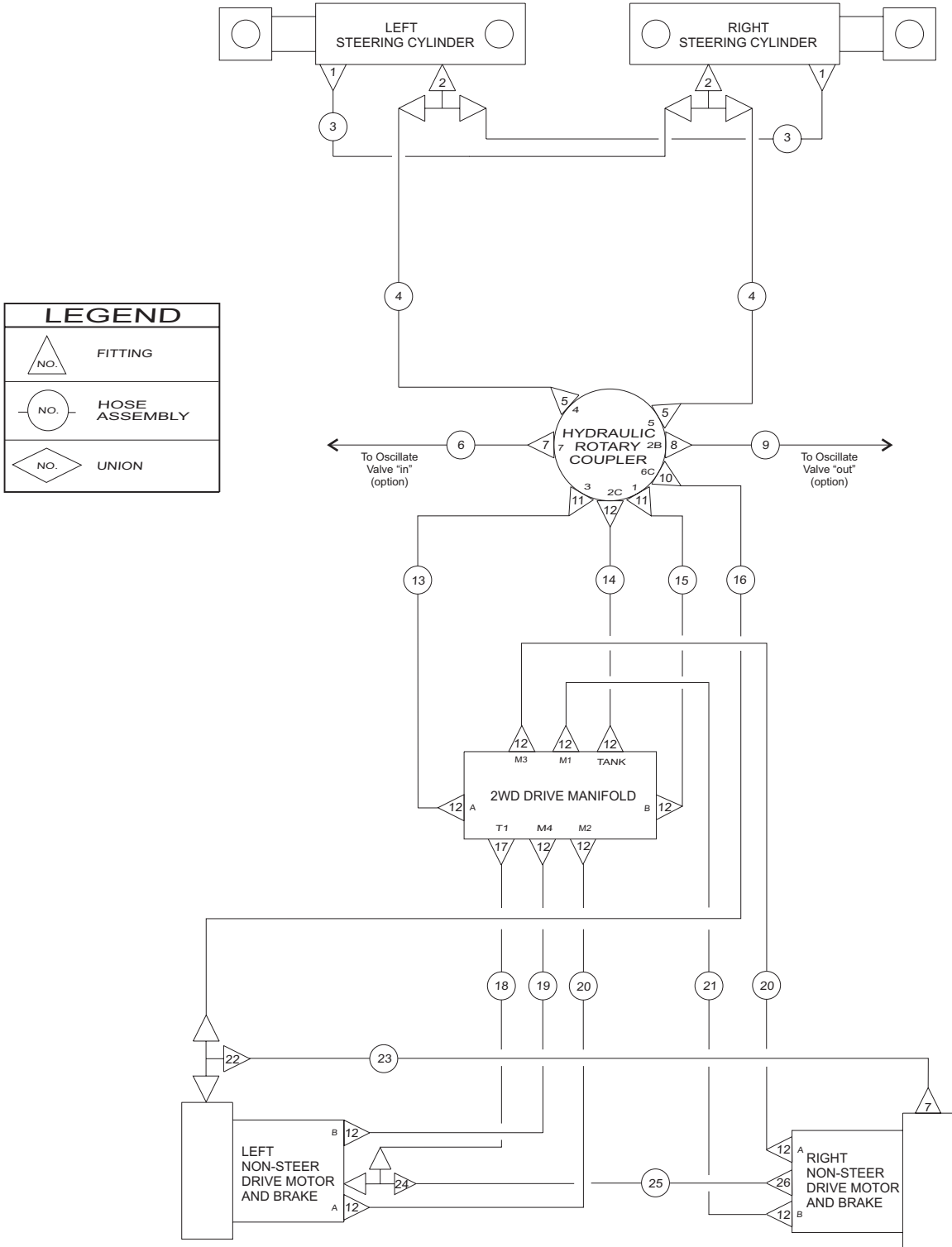
Figure	Rev	Description
706.1	A	Hydraulic Pumps



Item	Part No.	Description	Qty.
—	89591	Drive Pump Assembly (Non-oscillate models) (before serial number 7319)	
—	89933	Drive Pump Assembly (Non-oscillate models) (after serial number 7318)	
—	89592	Drive Pump Assembly (Oscillate models) (before serial number 7319)	
—	89932	Drive Pump Assembly (Oscillate models) (after serial number 7318)	
1	53961	Function Pump, Non-oscillate 1
—	65912	Seal Kit	
2	29436	O-ring (before serial number 7319) 1
—	83141	O-ring (after serial number 7318)	
3	88048	Drive Pump (before serial number 7319) 1
—	29739	Seal Kit	
—	49897	Gasket	
3	89934	Drive Pump (after serial number 7318) 1
—	29739	Seal Kit	
4	89858	Function Pump, Oscillate 1
—	89859	Seal Kit	



Figure 707.1 **Rev B** **Description**
 Hydraulic Hoses and Fittings - 2WD Drive and Steer System
 (before serial number 7569)



LEGEND	
	FITTING
	HOSE ASSEMBLY
	UNION

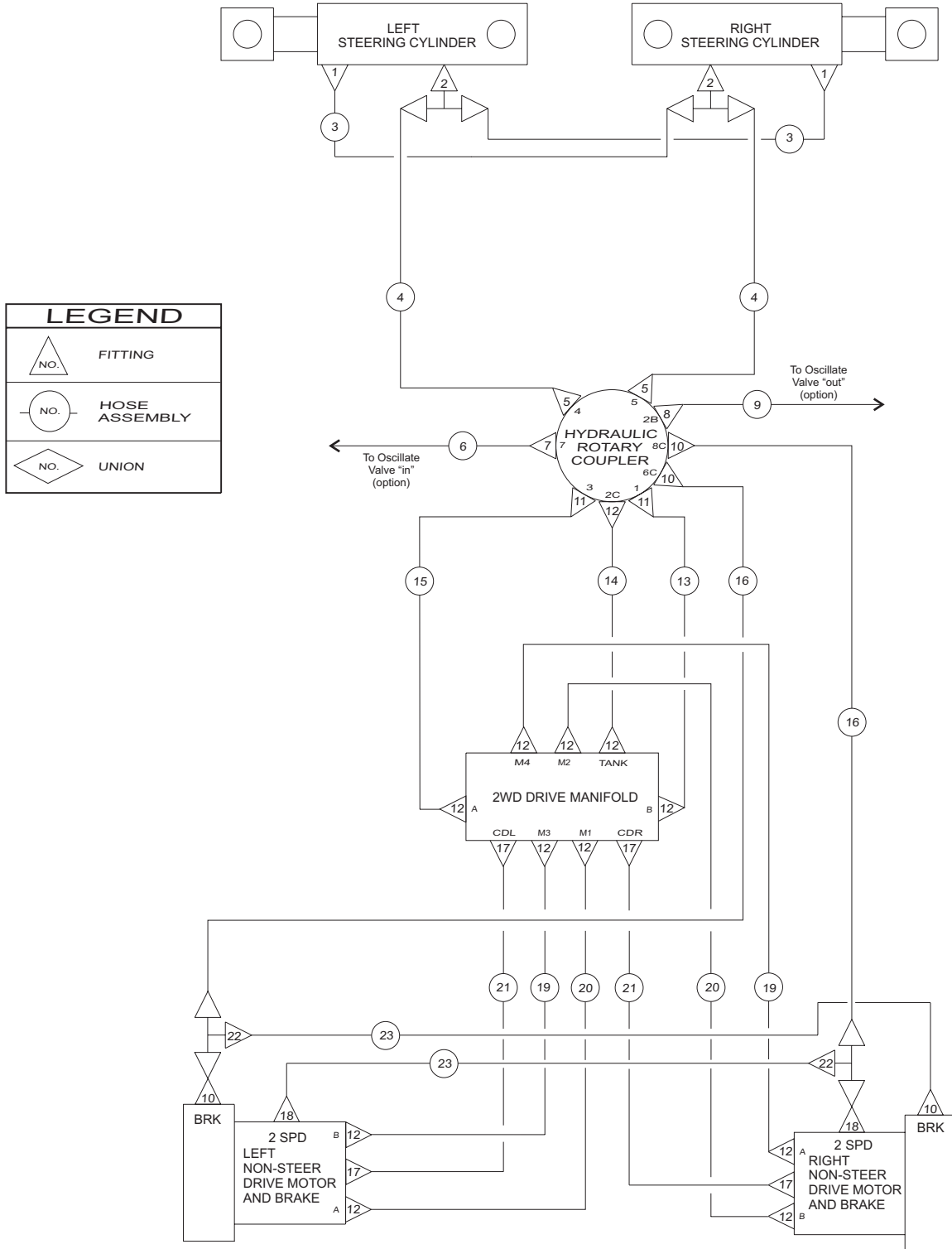
Hydraulic Hoses and Fittings - 2WD Drive and Steer System (before serial number 7569) Rev B

Item	Part No.	Description	Qty.	Item	Part No.	Description	Qty.
1	48915	Fitting	2	19	89871-3348	Hose Assembly - Components: Genie part numbers 48841, 48841 and 94358 @ 31 inches	1
2	48919	Fitting	2	20	89871-3848	Hose Assembly - Components: Genie part numbers 48841, 48841 and 94358 @ 36 inches	2
3	49130-2132	Hose Assembly - Components: Genie part numbers 48812, 48812 and 48753 @ 19.5 inches	2	21	89871-3948	Hose Assembly - Components: Genie part numbers 48841, 48841 and 94358 @ 37 inches	1
4	49128-5909	Hose Assembly - Components: Genie part numbers 48812, 48816 and 48753 @ 57 inches	2	22	48906	Fitting	1
5	48920	Fitting	2	23	49117-6091	Hose Assembly - Components: Genie part numbers 48800, 48802 and 48751 @ 59 inches	1
6	49117-5191	Hose Assembly - Components: Genie part numbers 48800, 48802 and 48751 @ 50 inches	1	24	48953	Fitting	1
7	48904	Fitting	2	25	49139-4368	Hose Assembly - Components: Genie part numbers 48822, 48830 and 48756 @ 41 inches	1
8	48937	Fitting	1	26	48946	Fitting	1
9	49143-4629	Hose Assembly - Components: Genie part numbers 48822, 48827 and 48756 @ 44 inches	1				
10	48905	Fitting	1				
11	48963	Fitting	2				
12	48960	Fitting	12				
13	94374-2380	Hose Assembly - Components: Genie part numbers 48841, 48846 and 94358 @ 20.5 inches	1				
14	49149-2126	Hose Assembly - Components: Genie part numbers 48841, 48845 and 48761 @ 18 inches	1				
15	94374-2530	Hose Assembly - Components: Genie part numbers 48841, 48846 and 94358 @ 22 inches	1				
16	49117-7641	Hose Assembly - Components: Genie part numbers 48800, 48802 and 48751 @ 74.5 inches	1				
17	48933	Fitting	1				
18	49172-4238	Hose Assembly - Components: Genie part numbers 48827, 48828 and 48756 @ 40 inches	1				

The length listed in the component description is the length of the hose only. Refer to 713.1 to cross-reference Genie part numbers to Parker part numbers.



Figure 707.2 **Rev B** **Description**
 Hydraulic Hoses and Fittings - 2WD Drive and Steer System (after serial number 7568)

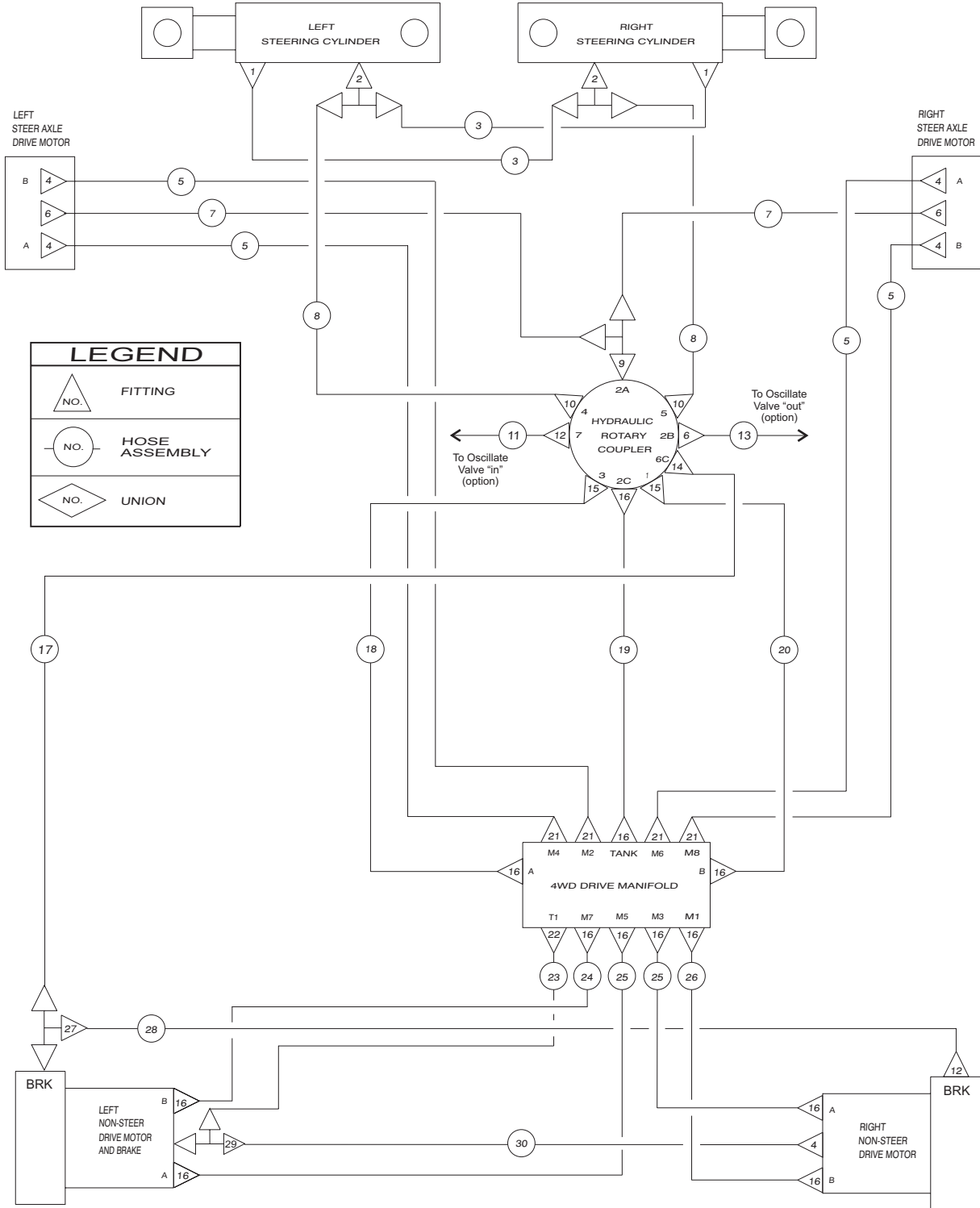


Item	Part No.	Description	Qty.	Item	Part No.	Description	Qty.
1	48915	Fitting	2	20	94374-3930	Hose Assembly - Components: Genie part numbers 48841, 48846 and 94358 @ 36 inches	2
2	48919	Fitting	2	21	49143-4229	Hose Assembly - Components: Genie part numbers 48827, 48822 and 48756 @ 40 inches	2
3	49130-2132	Hose Assembly - Components: Genie part numbers 48812, 48812 and 48753 @ 19.5 inches	2	22	48908	Fitting	2
4	49128-5909	Hose Assembly - Components: Genie part numbers 48812, 48816 and 48753 @ 57 inches	2	23	49117-5591	Hose Assembly - Components: Genie part numbers 48800, 48802 and 48751 @ 54 inches	2
5	48920	Fitting	2				
6	49117-5191	Hose Assembly - Components: Genie part numbers 48800, 48802 and 48751 @ 50 inches	1				
7	48904	Fitting	2				
8	48937	Fitting	1				
9	49143-4629	Hose Assembly - Components: Genie part numbers 48822, 48827 and 48756 @ 44 inches	1				
10	48905	Fitting	4				
11	48963	Fitting	2				
12	48960	Fitting	12				
13	94374-2380	Hose Assembly - Components: Genie part numbers 48841, 48846 and 94358 @ 20.5 inches	1				
14	49149-2126	Hose Assembly - Components: Genie part numbers 48841, 48845 and 48761 @ 18 inches	1				
15	94374-2530	Hose Assembly - Components: Genie part numbers 48841, 48846 and 94358 @ 22 inches	1				
16	49117-7641	Hose Assembly - Components: Genie part numbers 48800, 48802 and 48751 @ 74.5 inches	2				
17	48933	Fitting	4				
18	48911	Fitting	2				
19	94374-4230	Hose Assembly - Components: Genie part numbers 48841, 48846 and 94358 @ 39 inches	2				

The length listed in the component description is the length of the hose only. Refer to 713.1 to cross-reference Genie part numbers to Parker part numbers.



Figure 708.1 **Rev A** **Description**
 Hydraulic Hoses and Fittings - 4WD Drive and Steer System
 (before serial number 7569)



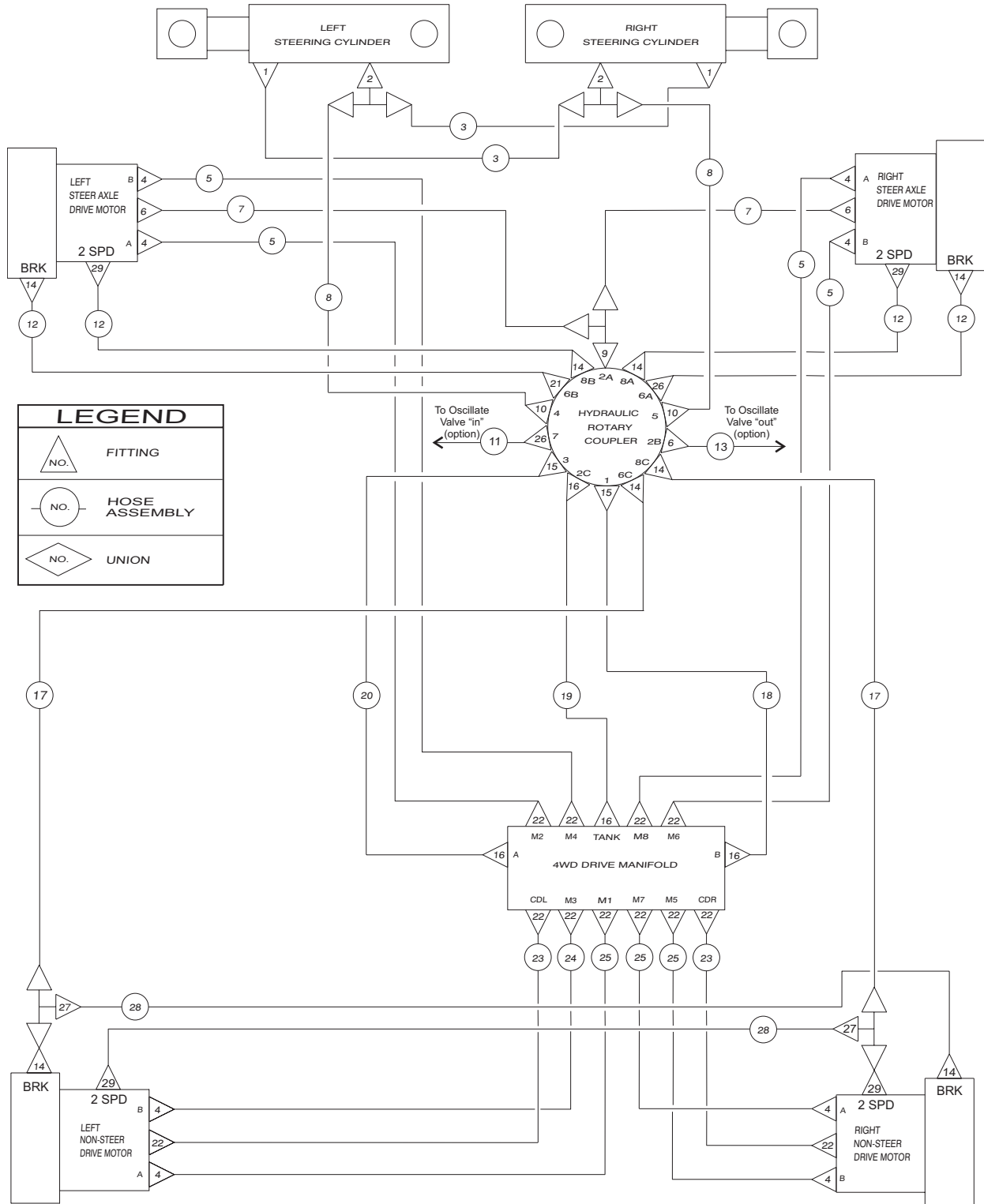
Hydraulic Hoses and Fittings - 4WD Drive and Steer System (before serial number 7569) Rev A

Item	Part No.	Description	Qty.	Item	Part No.	Description	Qty.
1	48915	Fitting	2	19	49149-2126	Hose Assembly - Components: Genie part numbers 48841, 48845 and 48761 @ 18 inches	1
2	48919	Fitting	2	20	49374-2530	Hose Assembly - Components: Genie part numbers 48841, 48846 and 94358 @ 22 inches	1
3	49130-2132	Hose Assembly - Components: Genie part numbers 48812, 48812 and 48753 @ 19.5 inches	2	21	48948	Fitting	4
4	48946	Fitting	4	22	48933	Fitting	1
5	49107-10213	Hose Assembly - Components: Genie part numbers 48822, 48826 and 48758 @ 99.5 inches	4	23	49172-4238	Hose Assembly - Components: Genie part numbers 48827, 48828 and 48756 @ 40 inches	1
6	48937	Fitting	3	24	89871-3348	Hose Assembly - Components: Genie part numbers 48841, 48841 and 94358 @ 31 inches	1
7	49141-7813	Hose Assembly - Components: Genie part numbers 48822, 48826 and 48756 @ 75.5 inches	2	25	89871-3848	Hose Assembly - Components: Genie part numbers 48841, 48841 and 94358 @ 36 inches	2
8	49128-5909	Hose Assembly - Components: Genie part numbers 48812, 48816 and 48753 @ 57 inches	2	26	89871-3948	Hose Assembly - Components: Genie part numbers 48841, 48841 and 94358 @ 37 inches	1
9	48935	Fitting	1	27	48906	Fitting	1
10	48920	Fitting	2	28	49117-6091	Hose Assembly - Components: Genie part numbers 48800, 48802 and 48751 @ 59 inches	1
11	49117-5191	Hose Assembly - Components: Genie part numbers 48800, 48802 and 48751 @ 50 inches	1	29	48953	Fitting	1
12	48904	Fitting	2	30	49139-4368	Hose Assembly - Components: Genie part numbers 48830, 48822, and 48756 @ 41 inches (4WD Drive and Steer System)	1
13	49143-4629	Hose Assembly - Components: Genie part numbers 48822, 48827 and 48756 @ 44 inches	1				
14	48905	Fitting	1				
15	48963	Fitting	2				
16	48960	Fitting	10				
17	49117-7641	Hose Assembly - Components: Genie part numbers 48800, 48802 and 48751 @ 74.5 inches	1				
18	94374-2380	Hose Assembly - Components: Genie part numbers 48841, 48846 and 94358 @ 20.5 inches	1				

The length listed in the component description is the length of the hose only. Refer to 713.1 to cross-reference Genie part numbers to Parker part numbers.



Figure 708.2 **Rev** A **Description** Hydraulic Hoses and Fittings - 4WD Drive and Steer System (after serial number 7568)



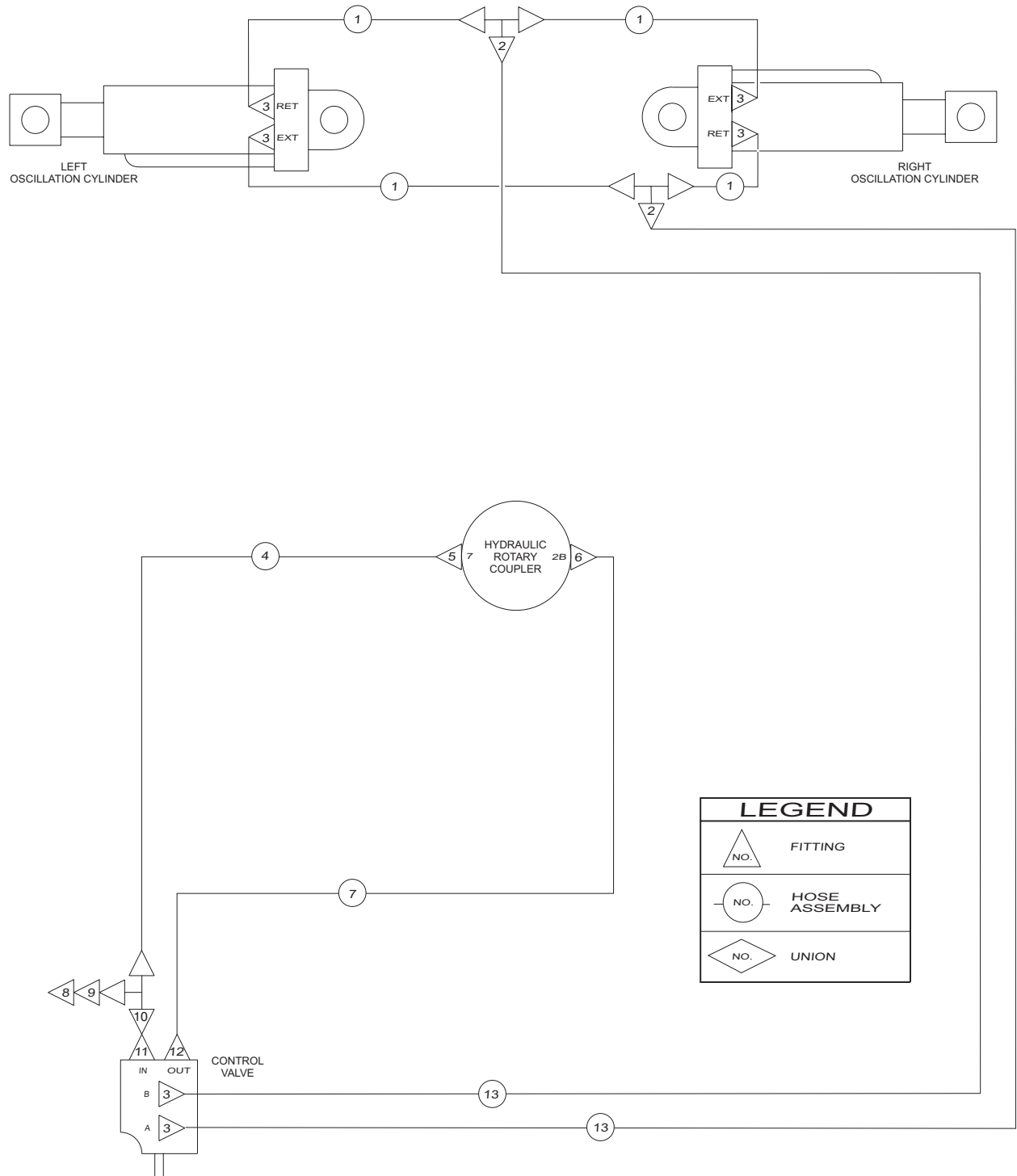
Hydraulic Hoses and Fittings - 4WD Drive and Steer System (after serial number 7568) Rev A

Item	Part No.	Description	Qty.	Item	Part No.	Description	Qty.
1	48915	Fitting	2	19	49149-2126	Hose Assembly - Components: Genie part numbers 48841, 48845 and 48761 @ 18 inches	1
2	48919	Fitting	2	20	94374-2530	Hose Assembly - Components: Genie part numbers 48841, 48846 and 94358 @ 22 inches	1
3	49130-2132	Hose Assembly - Components: Genie part numbers 48812, 48812 and 48753 @ 19.5 inches	2	21	48907	Fitting	1
4	48948	Fitting	8	22	48933	Fitting	12
5	49107-10213	Hose Assembly - Components: Genie part numbers 48822, 48826 and 48758 @ 99.5 inches	4	23	49143-4229	Hose Assembly - Components: Genie part numbers 48827, 48822 and 48756 @ 40 inches	2
6	48937	Fitting	3	24	49109-4729	Hose Assembly - Components: Genie part numbers 48822, 48827 and 48758 @ 45 inches	1
7	49141-7563	Hose Assembly - Components: Genie part numbers 48822, 48826 and 48756 @ 73 inches	2	25	49109-4229	Hose Assembly - Components: Genie part numbers 48822, 48827 and 48758 @ 40 inches	3
8	49128-5909	Hose Assembly - Components: Genie part numbers 48812, 48816 and 48753 @ 57 inches	2	26	48904	Fitting	1
9	48935	Fitting	1	27	48908	Fitting	2
10	48920	Fitting	2	28	49117-5591	Hose Assembly - Components: Genie part numbers 48800, 48802 and 48751 @ 54 inches	2
11	49117-5191	Hose Assembly - Components: Genie part numbers 48800, 48802 and 48751 @ 50 inches	1	29	48911	Fitting	4
12	49117-8491	Hose Assembly - Components: Genie part numbers 48800, 48802 and 48751 @ 83 inches	4				
13	49143-4629	Hose Assembly - Components: Genie part numbers 48822, 48827 and 48756 @ 44 inches	1				
14	48905	Fitting	9				
15	48963	Fitting	2				
16	48960	Fitting	4				
17	49117-7641	Hose Assembly - Components: Genie part numbers 48800, 48802 and 48751 @ 74.5 inches	2				
18	94374-2380	Hose Assembly - Components: Genie part numbers 48841, 48846 and 94358 @ 20.5 inches	1				

The length listed in the component description is the length of the hose only. Refer to 713.1 to cross-reference Genie part numbers to Parker part numbers.



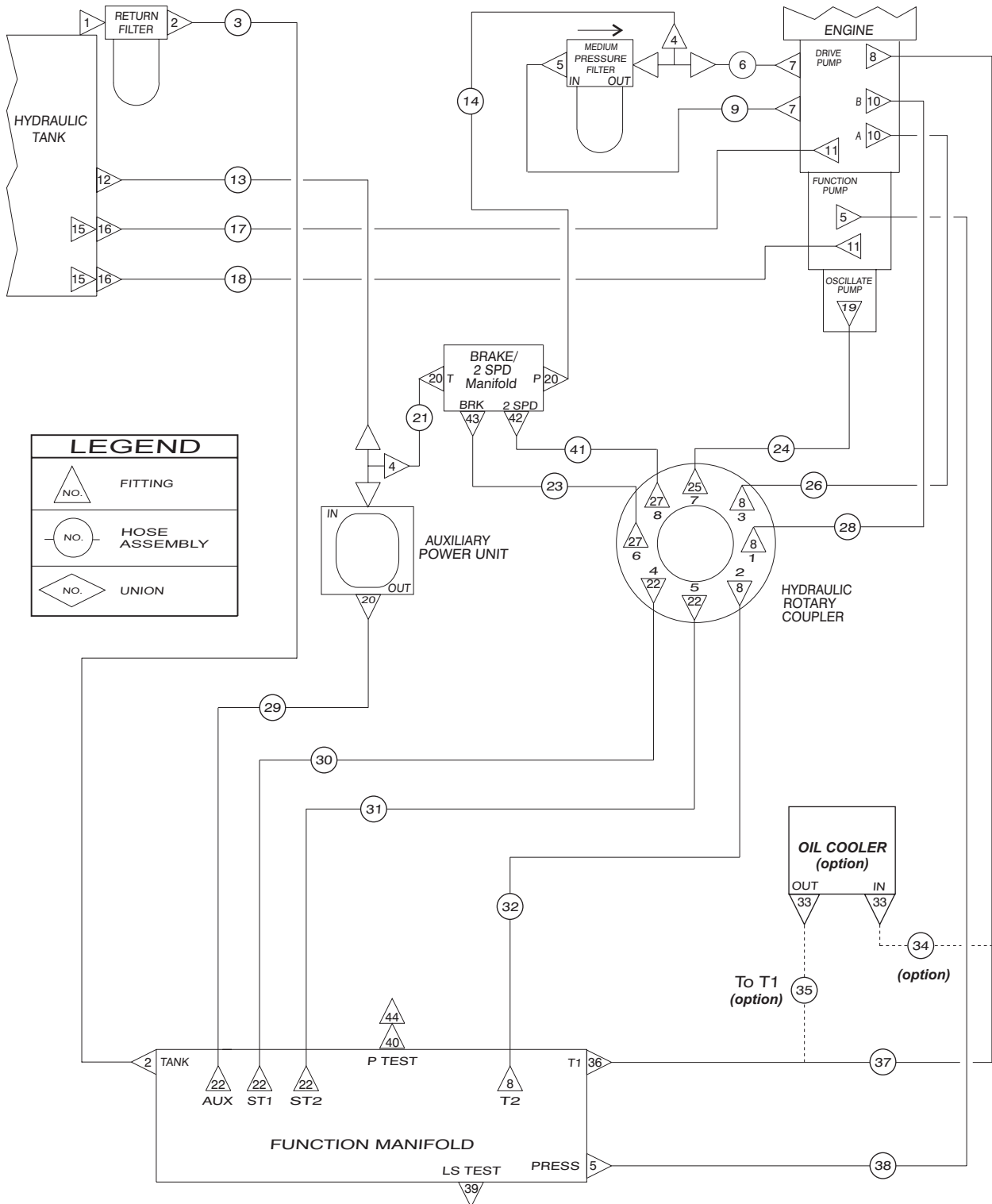
Figure 709.1 **Rev** A **Description** Hydraulic Hoses and Fittings - Oscillate System



Item	Part No.	Description	Qty.
1	49130-2432	Hose Assembly - Components: Genie part numbers 48812, 48812 and 48753 @ 22.5 inches	4
2	48896	Fitting	2
3	48916	Fitting	6
4	49117-5191	Hose Assembly - Components: Genie part numbers 48800, 48802 and 48751 @ 50 inches	1
5	48904	Fitting	1
6	48937	Fitting	1
7	49143-4629	Hose Assembly - Components: Genie part numbers 48822, 48827 and 48756 @ 44 inches	1
8	48880	Diagnostic Nipple Dust Cap	1
9	49207	Diagnostic Nipple	1
—	20224	Female Quick Disconnect	
10	48891	Fitting	1
11	48914	Fitting	1
12	48933	Fitting	1
13	49128-10809	Hose Assembly - Components: Genie part numbers 48812, 48816 and 48753 @ 106 inches	2

The length listed in the component description is the length of the hose only. Refer to 713.1 to cross-reference Genie part numbers to Parker part numbers.

Figure 710.1 **Rev C** **Description**
 Hydraulic Hoses and Fittings - Turntable



LEGEND	
	FITTING
	HOSE ASSEMBLY
	UNION

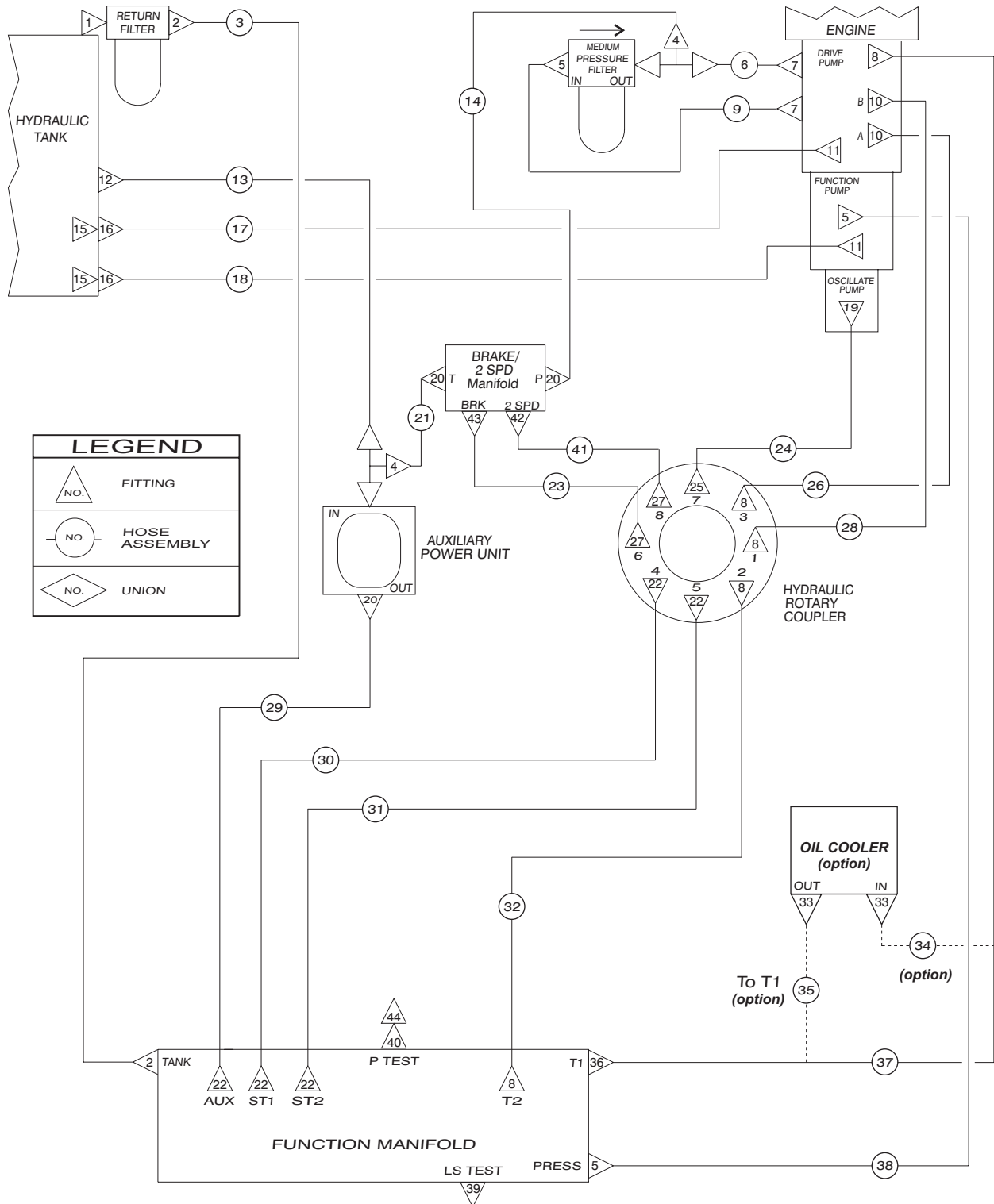
Item	Part No.	Description	Qty.	Item	Part No.	Description	Qty.
1	61263	Fitting	1	15	45161	Strainer Assembly	2
2	89593	Fitting	2	16	89403	Fitting	2
3	88441-1090	Hose Assembly - Components: Genie part numbers 88477, 88474, and 88478 @ 7.5 inches	1	17	49159-3643	Hose Assembly - Components: Genie part numbers 48854, 48855 and 48764 @ 32.25 inches (Ford models, Perkins models, Deutz F3L 2011)	1
4	48935	Fitting	2	—	49159-4268	Hose Assembly - Components: Genie part numbers 48854, 48855 and 48764 @ 38.5 inches (Deutz F3L 1011F)	1
5	48933	Fitting	3	—	49159-4043	Hose Assembly - Components: Genie part numbers 48854, 48855 and 48764 @ 36.25 inches (Deutz F4L 1011F)	1
6	49143-2029	Hose Assembly - Components: Genie part numbers 48822, 48827 and 48756 @ 18 inches, (Ford models, Perkins 704-30, Deutz F4L 1011F)	1	18	49159-4043	Hose Assembly - Components: Genie part numbers 48854, 48855 and 48764 @ 36.25 inches (Ford models, Perkins models, Deutz F3L 2011)	1
—	49143-2229	Hose Assembly - Components: Genie part numbers 48822, 48827 and 48756 @ 20 inches (Deutz F3L 1011F)	1	—	49159-4618	Hose Assembly - Components: Genie part numbers 48854, 48855 and 48764 @ 42 inches (Deutz F3L 1011F)	1
7	48946	Fitting	2	—	49159-4268	Hose Assembly - Components: Genie part numbers 48854, 48855 and 48764 @ 38.5 inches (Deutz F4L 1011F)	1
8	48960	Fitting	5	19	48912	Fitting	1
9	49143-2229	Hose Assembly - Components: Genie part numbers 48822, 48827 and 48756 @ 20 inches (Ford models, Perkins 704-30, Deutz F4L 1011F, Deutz F3L 2011)	1	20	48915	Fitting (before serial number 7569)	2
—	49143-2529	Hose Assembly - Components: Genie part numbers 48822, 48827 and 48756 @ 23 inches (Deutz F3L 1011F)	1	—	48904	Fitting (after serial number 7568)	1
10	48977	Fitting	2	21	49129-5425	Hose Assembly - Components: Genie part numbers 48812, 48821 and 48753 @ 52 inches (before serial number 7569)	1
11	48984	Fitting	2	—	49164-5643	Hose Assembly - Components: Genie part numbers 48818, 48800 and 48751 @ 54 inches (after serial number 7568)	1
12	48922	Fitting	1				
13	49133-1990	Hose Assembly - Components: Genie part numbers 48815, 48819 and 48753 @ 17.5 inches	1				
14	49129-3025	Hose Assembly - Components: Genie part numbers 48812, 48821 and 48753 @ 28 inches (before serial number 7569)	1				
—	49164-3043	Hose Assembly - Components: Genie part numbers 48800, 48818 and 48751 @ 28 inches (after serial number 7568)	1				

This list continues on the next page.

The length listed in the component description is the length of the hose only. Refer to 713.1 to cross-reference Genie part numbers to Parker part numbers.



Figure 710.1 **Rev C** **Description**
 Hydraulic Hoses and Fittings - Turntable



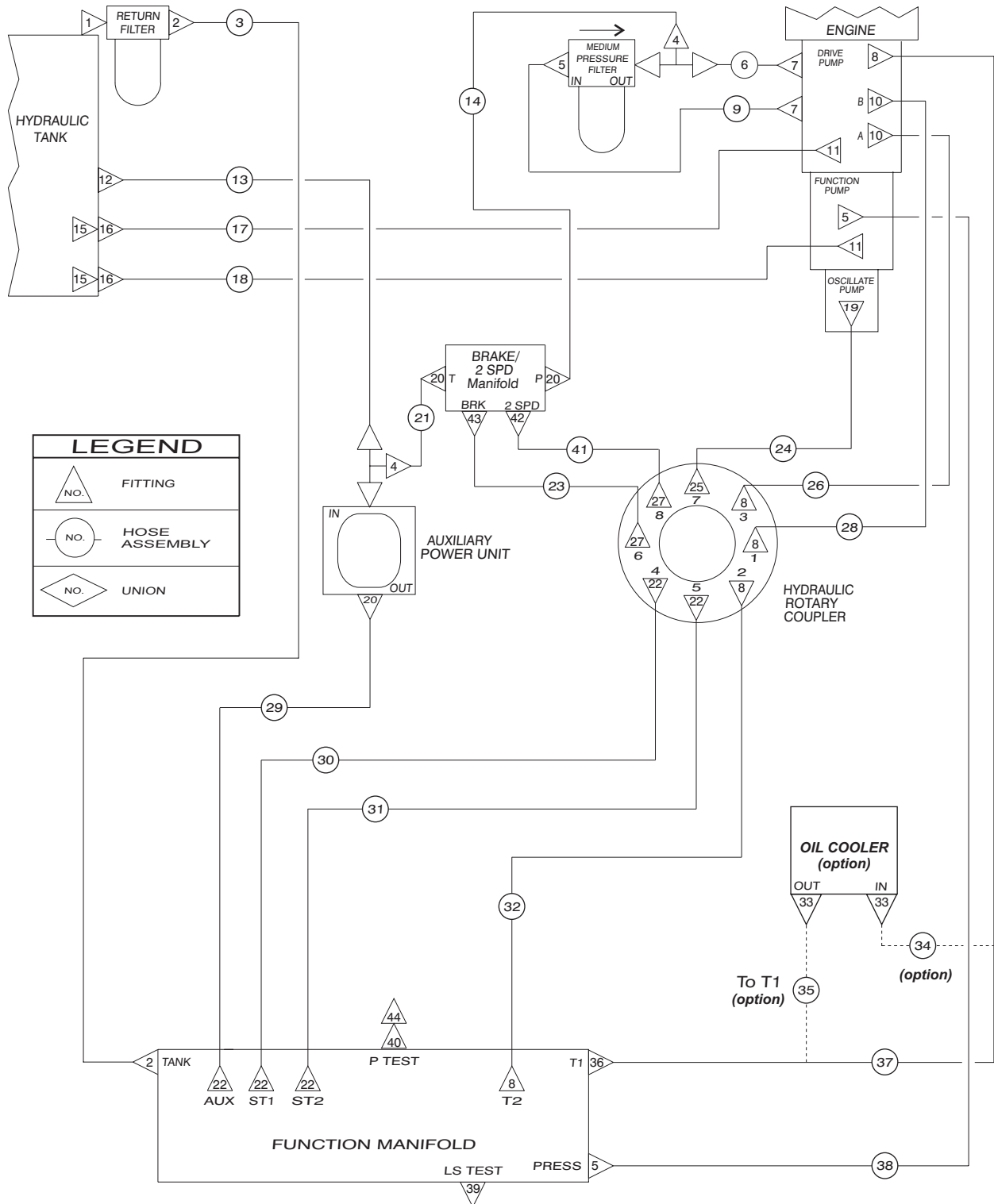
LEGEND	
	FITTING
	HOSE ASSEMBLY
	UNION

Item	Part No.	Description	Qty.	Item	Part No.	Description	Qty.
22	48916	Fitting	5	33	48963	Fitting (before serial number 7995)	2
23	49130-4282	Hose Assembly - Components: Genie part numbers 48812, 48812 and 48753 @ 41 inches (before serial number 7569)	1	—	48959	Fitting (after serial number 7994)	
—	49119-4378	Genie part numbers 48800, 48800 and 48751 @ 42 inches (after serial number 7568)		34	49152-6369	Hose Assembly - Components: Genie part numbers 48841, 48842 and 48761 @ 61 inches (before serial number 7995)	1
24	49117-4891	Hose Assembly - Components: Genie part numbers 48800, 48802 and 48751 @ 47 inches	1	—	49152-4869	Hose Assembly - Components: Genie part numbers 48841, 48842 and 48761 @ 46 inches (after serial number 7994)	
25	48904	Fitting	1	35	49151-7748	Hose Assembly - Components: Genie part numbers 48841, 48841 and 48761 @ 75 inches (before serial number 7995)	1
26	94374-5530	Hose Assembly - Components: Genie part numbers 48841, 48846 and 94358 @ 52 inches (Ford models, Perkins 704-30, Deutz F4L 1011F)	1	—	49151-9248	Hose Assembly - Components: Genie part numbers 48841, 48841 and 48761 @ 90 inches (after serial number 7994)	
—	94374-5930	Hose Assembly - Components: Genie part numbers 48841, 48846 and 94358 @ 56 inches (Deutz F3L 1011F)		36	48959	Fitting	1
27	48926	Fitting (before serial number 7569)	1	37	49150-5230	Hose Assembly - Components: Genie part numbers 48841, 48846 and 48761 @ 49 inches (Ford models, Perkins 704-30, Deutz F4L 1011F, Deutz F3L 2011)	1
—	48904	Fitting (after serial number 7568)	2	—	49150-5630	Hose Assembly - Components: Genie part numbers 48841, 48846 and 48761 @ 53 inches (Deutz F3L 1011F)	
28	94374-5230	Hose Assembly - Components: Genie part numbers 48841, 48846 and 94358 @ 49 inches (Ford models, Perkins 704-30, Deutz F4L 1011F)	1	38	49109-4129	Hose Assembly - Components: Genie part numbers 48822, 48827 and 48758 @ 39 inches (Ford LRG-425, Perkins 704-30, Deutz F4L 1011F, Deutz F3L 2011)	1
—	94374-5530	Hose Assembly - Components: Genie part numbers 48841, 48846 and 94358 @ 52 inches (Deutz F3L 1011F)		—	49109-4929	Hose Assembly - Components: Genie part numbers 48822, 48827 and 48758 @ 47 inches (Deutz F3L 1011F)	
29	49124-2228	Hose Assembly - Components: Genie part numbers 48812, 48813 and 48753 @ 20 inches	1				
30	49130-4482	Hose Assembly - Components: Genie part numbers 48812, 48812 and 48753 @ 43 inches	1				
31	49130-4282	Hose Assembly - Components: Genie part numbers 48812, 48812 and 48753 @ 41 inches	1				
32	49151-4148	Hose Assembly - Components: Genie part numbers 48841, 48841 and 48761 @ 39 inches	1				

This list continues on the next page.

The length listed in the component description is the length of the hose only. Refer to 713.1 to cross-reference Genie part numbers to Parker part numbers.

Figure 710.1 **Rev C** **Description**
 Hydraulic Hoses and Fittings - Turntable

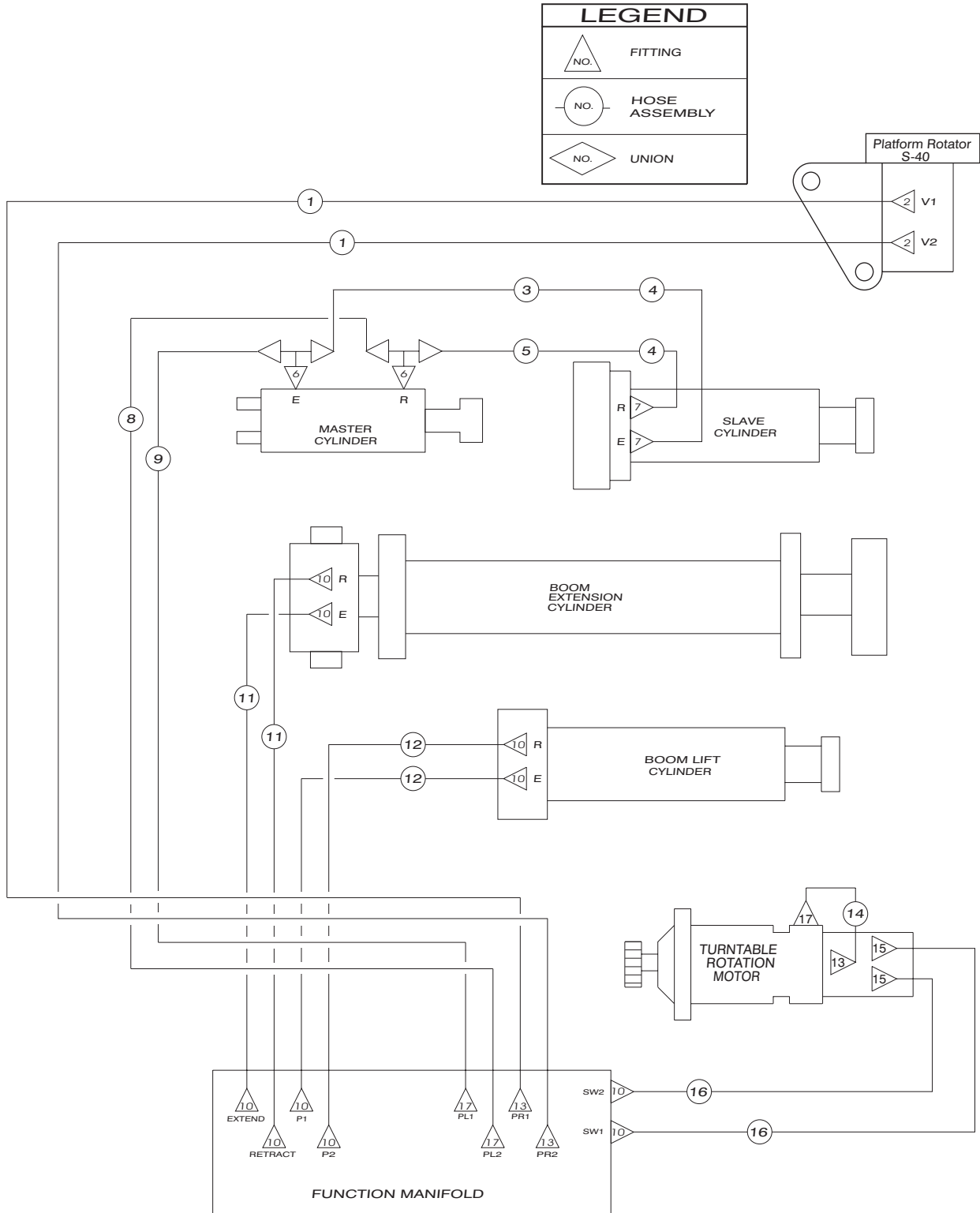


LEGEND	
	FITTING
	HOSE ASSEMBLY
	UNION

Item	Part No.	Description	Qty.
39	48997	Diagnostic Nipple	1
40	48907	Fitting	1
41	49119-4778	Hose Assembly - Components: Genie part numbers 48800, 48800 and 48751 @ 46 inches (after serial number 7568)	1
42	48905	Fitting	1
43	48916	Fitting (before serial number 7569)	1
—	48905	Fitting (after serial number 7568)	
44	49207	Diagnostic Nipple	1

The length listed in the component description is the length of the hose only. Refer to 713.1 to cross-reference Genie part numbers to Parker part numbers.

Figure 711.1 **Rev** B **Description** Hydraulic Hoses and Fittings - Boom Components, S-40

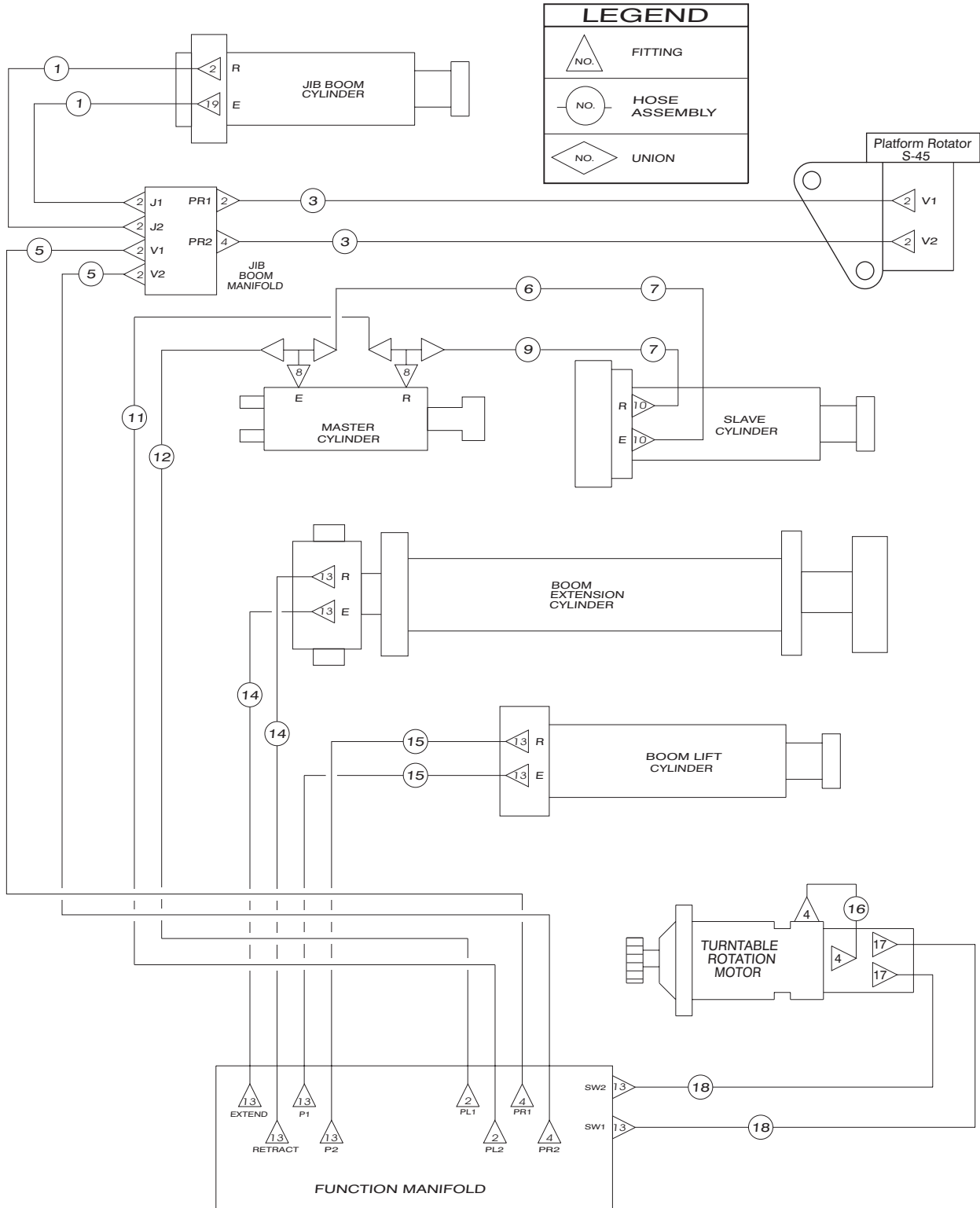


Item	Part No.	Description	Qty.	Item	Part No.	Description	Qty.
1	49119-58678	Hose Assembly - Components: Genie part numbers 48800, 48800 and 48751 @ 585 inches	2	16	49130-1982	Hose Assembly - Components: Genie part numbers 48812, 48812 and 48753 @ 18 inches	2
2	48907	Fitting	2	17	48905	Fitting	2
3	49120-49781	Hose Assembly - Components: Genie part numbers 48800, 48810 and 48751 @ 496 inches	1				
4	49121-4313	Hose Assembly - Components: Genie part numbers 42768, 48800 and 48751 @ 41.25 inches	2				
5	49120-50781	Hose Assembly - Components: Genie part numbers 48800, 48810 and 48751 @ 506 inches	1				
6	48919	Fitting	2				
7	48912	Fitting	2				
8	49181-10440	Hose Assembly - Components: Genie part numbers 48801, 48810 and 48751 @ 102 inches	1				
9	49181-9240	Hose Assembly - Components: Genie part numbers 48801, 48810 and 48751 @ 90 inches	1				
10	48916	Fitting	10				
11	49126-11233	Hose Assembly - Components: Genie part numbers 48812, 48815 and 48753 @ 110 inches	2				
12	49128-10509	Hose Assembly - Components: Genie part numbers 48812, 48816 and 48753 @ 103 inches	2				
13	48904	Fitting	4				
14	49117-1191	Hose Assembly - Components: Genie part numbers 48800, 48802 and 48751 @ 10 inches	1				
15	48915	Fitting	2				

The length listed in the component description is the length of the hose only. Refer to 713.1 to cross-reference Genie part numbers to Parker part numbers.



Figure 712.1 **Rev B** **Description**
 Hydraulic Hoses and Fittings - Boom Components, S-45



Item	Part No.	Description	Qty.	Item	Part No.	Description	Qty.
1	49117-5791	Hose Assembly - Components: Genie part numbers 48800, 48802 and 48751 @ 56 inches	2	16	49117-1191	Hose Assembly - Components: Genie part numbers 48800, 48802 and 48751 @ 10 inches	1
2	48905	Fitting	10	17	48915	Fitting	2
3	49119-3278	Hose Assembly - Components: Genie part numbers 48800, 48800 and 48751 @ 31 inches	2	18	49130-1982	Hose Assembly - Components: Genie part numbers 48812, 48812 and 48753 @ 18 inches	2
4	48904	Fitting	5	19	48913	Fitting	1
5	49119-68278	Hose Assembly - Components: Genie part numbers 48800, 48800 and 48751 @ 681 inches	2				
6	49120-49781	Hose Assembly - Components: Genie part numbers 48800, 48810 and 48751 @ 496 inches	1				
7	49184-3001	Hose Assembly - Components: Genie part numbers 42768, 48802 and 48751 @ 28 inches	2				
8	48919	Fitting	2				
9	49120-50781	Hose Assembly - Components: Genie part numbers 48800, 48810 and 48751 @ 506 inches	1				
10	48912	Fitting	2				
11	49181-10440	Hose Assembly - Components: Genie part numbers 48801, 48810 and 48751 @ 102 inches	1				
12	49181-9240	Hose Assembly - Components: Genie part numbers 48801, 48810 and 48751 @ 90 inches	1				
13	48916	Fitting	10				
14	49126-11233	Hose Assembly - Components: Genie part numbers 48812, 48815 and 48753 @ 110 inches	2				
15	49128-10509	Hose Assembly - Components: Genie part numbers 48812, 48816 and 48753 @ 103 inches	2				

The length listed in the component description is the length of the hose only. Refer to 713.1 to cross-reference Genie part numbers to Parker part numbers.



Figure 713.1 **Rev A** **Description**
 Hydraulic Hose and Fitting Cross-reference

Genie PN	Parker PN	Description	Genie PN	Parker PN	Description
12342	6-4 F5OX-S	CONNECTOR,STRAIGHT THREAD TO FLARE TUBE	42794	1 CR-S	ELBOW,90°,MALE PIPE
13757	4 R6X-S	RUN TEE,SWIVEL NUT,ORFS	42795	BV-0839	BALL VALVE
19685	12-10 C5OX-S	ELBOW,90°,STRAIGHT THREAD TO FLARE TUBE	42796	BV-0838	BALL VALVE
22664	12-10 C5OX	ELBOW,90°,STRAIGHT THREAD TO FLARE TUBE	42874	6-8 CLO-S	ELBOW,90°,MALE PIPE TO ORFS
27431	8-12 F5OX-S	CONNECTOR,STRAIGHT THREAD TO FLARE TUBE	42912	13943-6-4	HOSE END,90° FEMALE SWIVEL,JIC
28678	AS-B-33	SLEEVE,NYLON,1.81" ID	42920	BV-0840	BALL VALVE,90°
39871	6 WETX-WLN-S	UNION,90° BULKHEAD W/NUT,FLARE TUBE	42932	AS-B-17	SLEEVE,NYLON,1.22" ID
39872	4 R5OX-S	RUN TEE,STRAIGHT THREAD	42936	10243-2-4	HOSE END,FEMALE PIPE
39873	6 C5OX-S	ELBOW,90°,STRAIGHT THREAD TO FLARE TUBE	42953	1/2 DD-S	ELBOW,90°,FEMALE PIPE
39874	8-6 C5OX-S	ELBOW,90°,STRAIGHT THREAD TO FLARE TUBE	42956	6 WELO-WLNL-S	UNION,90° BULKHEAD W/NUT,ORFS
39875	4-6 C5OX-S	ELBOW,90°,STRAIGHT THREAD TO FLARE TUBE	45349	8 V5OX-S	ELBOW,45°,STRAIGHT THREAD TO FLARE TUBE
39876	6-8 C5OX-S	ELBOW,90°,STRAIGHT THREAD TO FLARE TUBE	45351	4 V5OX-S	ELBOW,45°,STRAIGHT THREAD TO FLARE TUBE
39877	4 F5OX-S	CONNECTOR,STRAIGHT THREAD TO FLARE TUBE	47223	10343-6-6	HOSE END,MALE,JIC
39878	6 F5OX-S	CONNECTOR,STRAIGHT THREAD TO FLARE TUBE	47419	PS690503-6-6	SWIVEL,90°,STRAIGHT THREAD TO 37° FLARE
39879	4-8 F5OX-S	CONNECTOR,STRAIGHT THREAD TO FLARE TUBE	48750	421-4	HOSE,1/4 INCH ID
39880	6-10 F5OX-S	CONNECTOR,STRAIGHT THREAD TO FLARE TUBE	48751	481TC-4	HOSE,1/4 INCH ID
39881	4-6 F5OX-S	CONNECTOR,STRAIGHT THREAD TO FLARE TUBE	48752	482TC-4	HOSE,1/4 INCH ID
39882	4-HP5ON-S	PLUG,STRAIGHT THREAD	48753	451TC-6	HOSE,3/8 INCH ID
39883	8-8 FTX-S	CONNECTOR,MALE PIPE TO FLARE TUBE	48754	482TC-6	HOSE,3/8 INCH ID
39885	269HB 12-12	ELBOW,90°,BEADED HOSE BARB TO MALE PIPE	48755	381-6	HOSE,3/8 INCH ID
39886	431-6	HOSE,3/8 INCH ID	48756	451TC-8	HOSE,1/2 INCH ID
39887	540N-2	HOSE,1/8 INCH ID	48757	482TC-8	HOSE,1/2 INCH ID
39888	801-8	HOSE,1/2 INCH ID	48758	381-8	HOSE,1/2 INCH ID
39889	801-12	HOSE,3/4 INCH ID	48759	381-10	HOSE,5/8 INCH ID
39890	10643-6-6	HOSE END,FEMALE SWIVEL,JIC	48760	451TC-10	HOSE,5/8 INCH ID
39891	13943-6-6	HOSE END,90° FEMALE SWIVEL,JIC	48761	482TC-12	HOSE,3/4 INCH ID
39892	13743-6-6	HOSE END,45° FEMALE SWIVEL,JIC	48762	451TC-12	HOSE,3/4 INCH ID
39894	30682-8-8	HOSE END,FEMALE SWIVEL,JIC	48763	772-12	HOSE,3/4 INCH ID
39895	30682-10-12	HOSE END,FEMALE SWIVEL,JIC	48764	881-16	HOSE,1 INCH ID
42286	8-8 CTX-S	ELBOW,90°,MALE PIPE TO FLARE TUBE	48765	772-16	HOSE,1 INCH ID
42756	8-12 CLO-S	ELBOW,90,MALE PIPE TO ORFS	48766	AS-B-15	SLEEVE,NYLON,1.06" ID
42757	8-12 FLO-S	CONNECTOR,MALE PIPE TO ORFS	48767	AS-B-22	SLEEVE,NYLON,1.42" ID
42758	4 JLO-S	UNION TEE,ORFS	48770	881-8	HOSE,1/2 INCH ID
42759	4-4 FLO-S	CONNECTOR,MALE PIPE TO ORFS	48771	881-10	HOSE,5/8 INCH ID
42760	6-8 FLO-S	CONNECTOR,MALE PIPE TO ORFS	48772	381-4	HOSE,1/4 INCH ID
42761	1J143-6-4	HOSE END,90° FEMALE SWIVEL,SEAL LOK	48773	AS-B-13	SLEEVE,NYLON,.86" ID
42762	1J743-6-4	HOSE END,45° FEMALE SWIVEL,SEAL LOK	48800	1JC43-4-4	HOSE END,FEMALE SWIVEL,SEAL LOK
42768	1JO43-4-4	HOSE END,MALE,SEAL LOK	48801	1J743-4-4	HOSE END,45° FEMALE SWIVEL,SEAL LOK
42776	601-8	HOSE,1/2 INCH ID	48802	1J943-4-4	HOSE END,90° FEMALE SWIVEL,SEAL LOK
42777	1J743-16-16	HOSE END,45° FEMALE SWIVEL,SEAL LOK	48804	1JM43-4-4	HOSE END,MALE,SEAL LOK, NO O-RING
42786	16 CLO-S	ELBOW,90°,MALE PIPE TO ORFS	48805	10643-4-4	HOSE END,FEMALE SWIVEL,JIC
42787	16 R6LO-S	RUN TEE,SWIVEL NUT,ORFS	48806	13943-4-4	HOSE END,90° FEMALE SWIVEL,JIC
42788	16-8 TRLO-BL-S	REDUCER,TUBE END TO SWIVEL,ORFS	48807	1JS43-4-4	HOSE END,FEMALE SWIVEL,SEAL LOK
42789	6-6 CLO-S	ELBOW,90°,MALE PIPE TO ORFS	48808	3JC82-8-8	HOSE END,FEMALE SWIVEL,SEAL LOK
42790	8-10 V5OLO-S	ELBOW,45°,STRAIGHT THREAD TO ORFS	48809	3JC82-12-12	HOSE END,FEMALE SWIVEL,SEAL LOK
42791	3/4 CD-S	ELBOW,90°,MALE TO FEMALE PIPE	48810	1JC43-6-4	HOSE END,FEMALE SWIVEL,SEAL LOK
42792	3/4 X 1/2 PTR-S	REDUCER,MALE TO FEMALE PIPE	48811	1J943-6-4	HOSE END,90° FEMALE SWIVEL,SEAL LOK
42793	1/2 CR-S	ELBOW,90°,MALE PIPE	48812	1JC43-6-6	HOSE END,FEMALE SWIVEL,SEAL LOK

Genie PN	Parker PN	Description
48813	1J143-6-6	HOSE END,90° FEMALE SWIVEL,SEAL LOK
48814	1J543-6-6	HOSE END,90° FEMALE SWIVEL,SEAL LOK
48815	1J743-6-6	HOSE END,45° FEMALE SWIVEL,SEAL LOK
48816	1J943-6-6	HOSE END,90° FEMALE SWIVEL,SEAL LOK
48817	1JS43-6-8	HOSE END,FEMALE SWIVEL,SEAL LOK
48818	1J943-8-4	HOSE END,90° FEMALE SWIVEL,SEAL LOK
48819	1JC43-8-6	HOSE END,FEMALE SWIVEL,SEAL LOK
48820	1J743-8-6	HOSE END,45° FEMALE SWIVEL,SEAL LOK
48821	1J943-8-6	HOSE END,90° FEMALE SWIVEL,SEAL LOK
48822	1JC43-8-8	HOSE END,FEMALE SWIVEL,SEAL LOK
48823	1JS43-8-8	HOSE END,FEMALE SWIVEL,SEAL LOK
48824	1J143-8-8	HOSE END,90° FEMALE SWIVEL,SEAL LOK
48825	1J543-8-8	HOSE END,90° FEMALE SWIVEL,SEAL LOK
48826	1J743-8-8	HOSE END,45° FEMALE SWIVEL,SEAL LOK
48827	1J943-8-8	HOSE END,90° FEMALE SWIVEL,SEAL LOK
48828	1JC43-10-8	HOSE END,FEMALE SWIVEL,SEAL LOK
48829	1JS43-10-8	HOSE END,FEMALE SWIVEL,SEAL LOK
48830	1J743-10-8	HOSE END,45° FEMALE SWIVEL,SEAL LOK
48831	1J943-10-8	HOSE END,90° FEMALE SWIVEL,SEAL LOK
48833	1JC43-10-10	HOSE END,FEMALE SWIVEL,SEAL LOK
48834	1J943-10-10	HOSE END,90° FEMALE SWIVEL,SEAL LOK
48835	1JS43-10-12	HOSE END,FEMALE SWIVEL,SEAL LOK
48836	1JC43-12-8	HOSE END,FEMALE SWIVEL,SEAL LOK
48837	1JS43-12-8	HOSE END,FEMALE SWIVEL,SEAL LOK
48838	1J743-12-8	HOSE END,45° FEMALE SWIVEL,SEAL LOK
48839	1J943-12-8	HOSE END,90° FEMALE SWIVEL,SEAL LOK
48840	1J943-12-10	HOSE END,90° FEMALE SWIVEL,SEAL LOK
48841	1JC43-12-12	HOSE END,FEMALE SWIVEL,SEAL LOK
48842	1JO43-12-12	HOSE END,MALE,SEAL LOK
48843	1J143-12-12	HOSE END,90° FEMALE SWIVEL,SEAL LOK
48844	1J543-12-12	HOSE END,90° FEMALE SWIVEL,SEAL LOK
48845	1J743-12-12	HOSE END,45° FEMALE SWIVEL,SEAL LOK
48846	1J943-12-12	HOSE END,90° FEMALE SWIVEL,SEAL LOK
48847	13943-12-12	HOSE END,90° FEMALE SWIVEL,JIC
48848	10543-12-12	HOSE END,MALE,STRAIGHT THREAD
48849	1JC71-12-12	HOSE END,FEMALE SWIVEL,SEAL LOK
48850	1JS71-12-12	HOSE END,FEMALE SWIVEL,SEAL LOK
48851	1J171-12-12	HOSE END,90° FEMALE SWIVEL,SEAL LOK
48852	1J771-12-12	HOSE END,45° FEMALE SWIVEL,SEAL LOK
48853	1J971-12-12	HOSE END,90° FEMALE SWIVEL,SEAL LOK
48854	1JC43-16-16	HOSE END,FEMALE SWIVEL,SEAL LOK
48855	1J943-16-16	HOSE END,90° FEMALE SWIVEL,SEAL LOK
48856	1J171-16-16	HOSE END,90° FEMALE SWIVEL,SEAL LOK
48857	1J971-16-16	HOSE END,90° FEMALE SWIVEL,SEAL LOK
48859	1JS43-8-4	HOSE END,FEMALE SWIVEL,SEAL LOK
48867	PD36BTL	DIAGNOSTIC NIPPLE,SEAL-LOK SWIVEL
48873	6 PNLO-S	PLUG,TUBE END,ORFS
48874	6 PNXX-S	PLUG,FLARE TUBE

Genie PN	Parker PN	Description
48875	6 R6LO-S	RUN TEE,SWIVEL NUT,ORFS
488774	F5OLO-SW/.025ORI	CONNECTOR,STRAIGHT THREAD TO ORFS, W/.025 ORI
48878	16-12 C5OLO-S	ELBOW,90°,STRAIGHT THREAD TO ORFS
48879	8 C6LO-S	ELBOW,90°,SWIVEL NUT ORFS
48880	PD6-285	CAP,DIAGNOSTIC NIPPLE
48881	6 HLO-S	UNION,ORFS
48882	PD34BTL	DIAGNOSTIC NIPPLE,SEAL-LOK SWIVEL
48883	8 P5ON-S	PLUG,STRAIGHT THREAD
48884	8M18F87OMLO-S	CONNECTOR,METRIC,STRAIGHT THREAD TO ORFS
48885	4 WGTX-WLN-S	CONNECTOR,BULKHEAD,FEMALE PIPE TO FLARE TUBE
488864	F5OLO-SW/2MM OFF	CONNECTOR,MACHINED STRAIGHT THREAD TO ORFS
48887	4 CTX-S	ELBOW,90°,MALE PIPE TO FLARE TUBE
48888	10-12 V5OLO-S	ELBOW,45°,STRAIGHT THREAD TO ORFS
48890	4 S5OLO-S	BRANCH TEE,STRAIGHT THREAD TO ORFS
48891	4 S6LO-S	BRANCH TEE,SWIVEL NUT TO ORFS
48892	6 C6LO-S	ELBOW,90°,SWIVEL NUT ORFS
48893	6 F5OHAO-S	UNION,STRAIGHT THREAD
48894	8 WLO-WLNL-S	UNION,BULKHEAD,ORFS
48895	DT-370-MSMO-5	VALVE,CHECK
48896	6 JLO-S	UNION,TEE,ORFS
48897	DT-750-MSMS-5	VALVE,CHECK
48898	DT-750-MOMS-5	VALVE,CHECK
48899	DT-620-MOMS-5	VALVE,CHECK
489004-6	F5OLO-SW/.035ORI	CONNECTOR,STRAIGHT THREAD TO ORFS, W/.035 ORI
48902	16-1 AOE4G-S	ELBOW,90° LONG,FEMALE PIPE TO STRAIGHT THREAD
48903	1 FF-S	NIPPLE,PIPE
48904	4 C5OLO-S	ELBOW,90°,STRAIGHT THREAD TO ORFS
48905	4 F5OLO-S	CONNECTOR,STRAIGHT THREAD TO ORFS
48906	4 R5OLO-S	RUN TEE,STRAIGHT THREAD
48907	4 V5OLO-S	ELBOW,45°,STRAIGHT THREAD TO ORFS
48908	4 R6LO-S	RUN TEE,SWIVEL NUT,ORFS
48909	4 WJLO-WLNL-S	RUN TEE, BULKHEAD,ORFS
489104	GTX-S W/.030ORIFIC	CONNECTOR,FEMALE PIPE TO FLARE TUBE
48911	4-6 C5OLO-S	ELBOW,90°,STRAIGHT THREAD TO ORFS
48912	4-6 F5OLO-S	CONNECTOR,STRAIGHT THREAD TO ORFS
489134-6	F5OLO-SW/.030OR	CONNECTOR,STRAIGHT THREAD TO ORFS, W/.030 ORI
48914	4-8 F5OLO-S	CONNECTOR,STRAIGHT THREAD TO ORFS
48915	6 C5OLO-S	ELBOW,90°,STRAIGHT THREAD TO ORFS
48916	6 F5OLO-S	CONNECTOR,STRAIGHT THREAD TO ORFS
48917	6 FF5OLO-S	CONNECTOR,LONG,STRAIGHT THREAD TO ORFS
48918	6 R5OLO-S	RUN TEE,STRAIGHT THREAD



Figure 713.1 **Rev A** **Description**
 Hydraulic Hose and Fitting Cross-reference

Genie PN	Parker PN	Description	Genie PN	Parker PN	Description
48919	6 S5OLO-S	BRANCH TEE, STRAIGHT THREAD TO ORFS	48968	12 WLO-WLNL-S	UNION, BULKHEAD, ORFS
48920	6 V5OLO-S	ELBOW, 45°, STRAIGHT THREAD TO ORFS	48969	12 WJLO-WLNL-S	RUN TEE, BULKHEAD, ORFS
48921	6 FLO-S	CONNECTOR, MALE PIPE TO ORFS	48970	12 WELO-WLNL-S	UNION, 90° BULKHEAD W/NUT, ORFS
48922	6-6 FLO-S	CONNECTOR, MALE PIPE TO ORFS	48971	12 G5G5JG5-S	TEE, FEMALE STRAIGHT THREAD
48923	6 P5ON-S	PLUG, STRAIGHT THREAD	48972	12 XHL6-S	ADAPTER, 37° MALE TO SWIVEL ORFS
48925	6 WELO-S	UNION, 90° BULKHEAD, ORFS	48973	12-1/2 F5OG-S	ADAPTER, FEMALE PIPE TO STRAIGHT THREAD
48926	6-4 C5OLO-S	ELBOW, 90°, STRAIGHT THREAD TO ORFS	48974	12-10 C5OLO-S	ELBOW, 90°, STRAIGHT THREAD TO ORFS
48927	6-4 F5OLO-S	CONNECTOR, STRAIGHT THREAD TO ORFS	48975	12-10 F5OLO-S	CONNECTOR, STRAIGHT THREAD TO ORFS
48928	6-4 V5OLO-S	ELBOW, 45°, STRAIGHT THREAD TO ORFS	48976	12-16 C5OLO-S	ELBOW, 90°, STRAIGHT THREAD TO ORFS
48929	6-8 C5OLO-S	ELBOW, 90°, STRAIGHT THREAD TO ORFS	48977	12-16 F5OLO-S	CONNECTOR, STRAIGHT THREAD TO ORFS
48930	6-8 F5OLO-S	CONNECTOR, STRAIGHT THREAD TO ORFS	48978	12-16 V5OLO-S	ELBOW, 45°, STRAIGHT THREAD TO ORFS
48931	6-10 F5OLO-S	CONNECTOR, STRAIGHT THREAD TO ORFS	48980	12-16 FLO-S	CONNECTOR, MALE PIPE TO ORFS
48932	8 C5OLO-S	ELBOW, 90°, STRAIGHT THREAD TO ORFS	48983	16 C5OLO-S	ELBOW, 90°, STRAIGHT THREAD TO ORFS
48933	8 F5OLO-S	CONNECTOR, STRAIGHT THREAD TO ORFS	48984	16 F5OLO-S	CONNECTOR, STRAIGHT THREAD TO ORFS
48934	8 FF5OLO-S	CONNECTOR, LONG, STRAIGHT THREAD TO ORFS	48985	16 V5OLO-S	ELBOW, 45°, STRAIGHT THREAD TO ORFS
48935	8 R5OLO-S	RUN TEE, STRAIGHT THREAD	48986	16 FLO-S	CONNECTOR, MALE PIPE TO ORFS
48936	8 S5OLO-S	BRANCH TEE, STRAIGHT THREAD TO ORFS	48988	16 CD45-S	ELBOW, 45°, MALE TO FEMALE PIPE
48937	8 V5OLO-S	ELBOW, 45°, STRAIGHT THREAD TO ORFS	48989	12 CD45-S	ELBOW, 45°, MALE TO FEMALE PIPE
48938	8 R6LO-S	RUN TEE, SWIVEL NUT, ORFS	48990	8 CD45-S	ELBOW, 45°, MALE TO FEMALE PIPE
48939	8 S6LO-S	BRANCH TEE, SWIVEL NUT TO ORFS	48991	16-12 FLO-S	CONNECTOR, MALE PIPE TO ORFS
48940	8 WJLO-WLNL-S	RUN TEE, BULKHEAD, ORFS	48992	16-12 V5OLO-S	ELBOW, 45°, STRAIGHT THREAD TO ORFS
48941	8-4 TRLO-S	REDUCER, TUBE END TO SWIVEL, ORFS	48993	XV501-12	BALL VALVE
48942	8-6 C5OLO-S	ELBOW, 90°, STRAIGHT THREAD TO ORFS	48994	XV501-16	BALL VALVE
48943	8-6 F5OLO-S	CONNECTOR, STRAIGHT THREAD TO ORFS	48995	XV510P-12	BALL VALVE
48944	8-8 FLO-S	CONNECTOR, MALE PIPE TO ORFS	48996	XV510P-16	BALL VALVE
48945	8 FTX-S	CONNECTOR, MALE PIPE TO FLARE TUBE	48997	PD341	DIAGNOSTIC NIPPLE, STRAIGHT THREAD
48946	8-10 F5OLO-S	CONNECTOR, STRAIGHT THREAD TO ORFS	48998	PD 361	DIAGNOSTIC NIPPLE, STRAIGHT THREAD
48947	8-12 C5OLO-S	ELBOW, 90°, STRAIGHT THREAD TO ORFS	48999	DT-500-MOMS-5	VALVE, CHECK
48948	8-12 F5OLO-S	CONNECTOR, STRAIGHT THREAD TO ORFS	49201	10 V5OLO-S	ELBOW, 45°, STRAIGHT THREAD TO ORFS
48949	8-16 F5OLO-S	CONNECTOR, STRAIGHT THREAD TO ORFS	49202	1JC43-12-10	HOSE END, FEMALE SWIVEL, SEAL LOK
48950	10 C5OLO-S	ELBOW, 90°, STRAIGHT THREAD TO ORFS	49203	10-8 V5OLO-S	ELBOW, 45°, STRAIGHT THREAD TO ORFS
48951	10 CC5OLO-S	ELBOW, 90° LONG, STRAIGHT THREAD TO ORFS	49205	6 F5OHAO-S	UNION, STRAIGHT THREAD
48952	10 F5OLO-S	CONNECTOR, STRAIGHT THREAD TO ORFS	49207	PD34BTL	DIAGNOSTIC NIPPLE, SEAL-LOK SWIVEL
48953	10 R5OLO-S	RUN TEE, STRAIGHT THREAD	49209	8M18F870MX-S	CONNECTOR, METRIC, STRAIGHT THREAD TO FLARE TUBE
48954	10 S5OLO-S	BRANCH TEE, STRAIGHT THREAD TO ORFS	49212	8 WGTX-WLN-S	CONNECTOR, BULKHEAD, FEMALE PIPE TO FLARE TUBE
48955	10 R6LO-S	RUN TEE, SWIVEL NUT, ORFS	49213	30682-8-8	HOSE END, FEMALE SWIVEL, JIC
48956	10-4 TRLO-BL-S	REDUCER, TUBE END TO SWIVEL, ORFS	49216	831-8	HOSE, 1/2 INCH ID
48957	10-6 TRLO-BL-S	REDUCER, TUBE END TO SWIVEL, ORFS	49217	33982-8-8	HOSE END, 90° FEMALE SWIVEL, JIC
48958	10-12 F5OLO-S	CONNECTOR, STRAIGHT THREAD TO ORFS	49219	PS-B-35	SLEEVE, NYLON, 2.19" ID
48959	12 C5OLO-S	ELBOW, 90°, STRAIGHT THREAD TO ORFS	49418	4-6 V5OLO-S	ELBOW, 45°, STRAIGHT THREAD TO ORFS
48960	12 F5OLO-S	CONNECTOR, STRAIGHT THREAD TO ORFS	49511	DT370-MOMS-5	VALVE, CHECK
48961	12 R5OLO-S	RUN TEE, STRAIGHT THREAD	49512	1 DD-S	ELBOW, 90°, FEMALE PIPE
48962	12 S5OLO-S	BRANCH TEE, STRAIGHT THREAD TO ORFS	49513	1 FF-S	NIPPLE, PIPE
48963	12 V5OLO-S	ELBOW, 45°, STRAIGHT THREAD TO ORFS	49514	10 HP5ON-S	PLUG, STRAIGHT THREAD
48964	12 R6LO-S	RUN TEE, SWIVEL NUT, ORFS	49515	12-16 CLO-S	ELBOW, 90°, MALE PIPE TO ORFS
48965	12 CLO-S	ELBOW, 90°, MALE PIPE TO ORFS	49517	6 HP5ON-S	PLUG, STRAIGHT THREAD
48966	12 FLO-S	CONNECTOR, MALE PIPE TO ORFS			
48967	12 JLO-S	UNION TEE, ORFS			

713.1
Hydraulic Hose and Fitting Cross-reference Rev A

Genie PN	Parker PN	Description	Genie PN	Parker PN	Description
49519	16-12 F5OLO-S	CONNECTOR,STRAIGHT THREAD TO ORFS	54428	8M18C87OMLO-S	ELBOW, 90° METRIC, STRAIGHT THREAD TO ORFS
49520	4 VTX-S	ELBOW,45°,MALE PIPE TO FLARE TUBE	54803	FS-F-16-10	SLEEVE,FIRE,.96" ID
49530	16 C6LO-S	ELBOW,90°,SWIVEL NUT ORFS	54954	10143-2-4	HOSE END, MALE PIPE
49612	PKT02586	O-RING KIT (ORFS FITTINGS)	55190	3/8 HP-S	PLUG,PIPE THREAD
49613	PKT06276	PLUG AND CAP KIT-SERVICE,ORFS	55448	8 HLO-S	UNION,ORFS
49728	10143-12-12	HOSE END, MALE PIPE	55839	6 F65OX-S	CONNECTOR,STRAIGHT THREAD TO 37° SWIVEL
49729	16-1 F5OG-S	ADAPTER,FEMALE PIPE TO STRAIGHT THREAD	55968	10 C5OX-S	ELBOW,90°,STRAIGHT THREAD TO FLARE TUBE
49814	12-8 FLO-S	CONNECTOR,MALE PIPE TO ORFS	56003	6 CC5OLO-S	ELBOW,90° LONG,STRAIGHT THREAD TO ORFS
49829	DT-500-MOMF-5	VALVE,CHECK	56166	BV-0837	BALL VALVE,90°
49831	881-12	HOSE,3/4 INCH ID	56188	10143-8-6	HOSE END, MALE PIPE
49834	16 JLO-S	UNION TEE,ORFS	56233	2-011	O-RING,ORFS,-4
49838	12-8 TRLO-BL-S	REDUCER,TUBE END TO SWIVEL,ORFS	56234	2-012	O-RING,ORFS,-6
49840	8 JLO-S	UNION TEE,ORFS	56235	2-014	O-RING,ORFS,-8
49844	10-8 TRLO-BL-S	REDUCER,TUBE END TO SWIVEL,ORFS	56236	2-016	O-RING,ORFS,-10
49854	8 P5ON-S	PLUG,STRAIGHT THREAD	56237	2-018	O-RING,ORFS,-12
49855	1JC43-16-12	HOSE END,FEMALE SWIVEL,SEAL LOK	56238	2-021	O-RING,ORFS,-16
49859	4 P5ON-S	PLUG,STRAIGHT THREAD	56352	6 WLNL-S	LOCKNUT,BULKHEAD
49861	4 FF5OLO-S	CONNECTOR,LONG,STRAIGHT THREAD TO ORFS	56353	3J782-12-12	HOSE END,45° FEMALE SWIVEL,SEAL LOK
49867	12-3/4 F5OG-S	ADAPTER,FEMALE PIPE TO STRAIGHT THREAD	56354	3J982-12-12	HOSE END,90° FEMALE SWIVEL,SEAL LOK
51152	6 R6X-S	RUN TEE,SWIVEL NUT,ORFS	56604	10-8 F5OLO-S	CONNECTOR,STRAIGHT THREAD TO ORFS
51153	6-4 TRTX-S	REDUCER,TUBE END TO SWIVEL,ORFS	56639	3JC82-10-10	HOSE END,FEMALE SWIVEL,SEAL LOK
51154	4-4 GTX	CONNECTOR,FEMALE PIPE TO FLARE TUBE	56640	3J982-10-10	HOSE END,90° FEMALE SWIVEL,SEAL LOK
51264	881-12	HOSE,3/4 INCH ID	56655	3JC82-8-10	HOSE END,FEMALE SWIVEL,SEAL LOK
51265	8 JLO-S	UNION TEE,ORFS	56676	10-8 C5OLO-S	ELBOW,90°,STRAIGHT THREAD TO ORFS
51508	6 BTX-S	NUT,FLARE TUBE	56776	471TC-6	HOSE,3/8 INCH ID
51580	12-8 TRLO-BL-S	TUBE END REDUCER,ORFS	56777	471TC-8	HOSE,1/2 INCH ID
51628	6 R6X-S	RUN TEE,SWIVEL NUT,ORFS	56789	811-16	HOSE,1 INCH ID
51735	3/8 HHP	PLUG,PIPE THREAD	57884	3/8 FF	NIPPLE,PIPE
51803	1J943-6-8	HOSE END,90° FEMALE SWIVEL,SEAL LOK	59335	6 FNL-S	CAP, TUBE END
53023	125HBL-5-4	FITTING,HOSE BARB TO MALE PIPE	59342	4 FNL-S	CAP, TUBE END
53497	PKT02585	O-RING KIT	59371	8 HP5ON-S	PLUG,STRAIGHT THREAD
53499	1JC71-16-16	HOSE END,FEMALE SWIVEL,SEAL LOK	60653	BV-0751	BALL VALVE
53500	3-904	O-RING,STRAIGHT THREAD,-4	60806	125HB-3-4	FITTING,HOSE BARB TO MALE PIPE
53501	3-906	O-RING,STRAIGHT THREAD,-6	61064	5-1/4 F5OG-S	ADAPTER,FEMALE PIPE TO STRAIGHT THREAD
53502	3-908	O-RING,STRAIGHT THREAD,-8	61079	4 WELO-WLNL-S	UNION,90° BULKHEAD W/NUT,ORFS
53503	3-910	O-RING,STRAIGHT THREAD,-10	61080	6 WLO-WLNL-S	UNION,BULKHEAD,ORFS
53535	3-912	O-RING,STRAIGHT THREAD,-12	61083	24 F5OLO-S	CONNECTOR,STRAIGHT THREAD TO ORFS
53536	4-PNLO-S	PLUG,TUBE END,ORFS	61086	20 R5OLO-S	RUN TEE,STRAIGHT THREAD
53537	6 PNLO-S	PLUG,TUBE END,ORFS	61090	24-20 F5OLO-S	CONNECTOR,STRAIGHT THREAD TO ORFS
53538	8 PNLO-S	PLUG,TUBE END,ORFS	61091	1J943 24-24	HOSE END,90° FEMALE SWIVEL,SEAL LOK
53539	10 PNLO-S	PLUG,TUBE END,ORFS	61093	1J978-12-12	HOSE END,90° FEMALE SWIVEL,JIC
53540	12 PNLO-S	PLUG,TUBE END,ORFS	61095	1JS43-20-16	HOSE END,FEMALE SWIVEL,SEAL LOK
53946	129HB-5-4	FITTING,90° HOSE BARB TO MALE PIPE	61100	811-24	HOSE,1 1/2 INCH ID
53951	8-1/4F50G-S	ADAPTER,FEMALE PIPE TO STRAIGHT THREAD	61130	1JS43-24-24	HOSE END,FEMALE SWIVEL,SEAL LOK
53980	6 S6LO-S	BRANCH TEE,SWIVEL NUT TO ORFS	61131	1JS78 12-12	HOSE END,FEMALE SWIVEL,SEAL LOK
54132	4 C6LO-S	ELBOW,90°,SWIVEL NUT ORFS	61132	1J778-12-12	HOSE END,45° FEMALE SWIVEL,JIC
54135	11343-16-16	HOSE END,MALE SWIVEL,PIPE	61152	139HB-6-4	ELBOW,45°,BARB TO MALE PIPE
54283	8-10 C5OLO-S	ELBOW,90°,STRAIGHT THREAD TO ORFS	61251	BV-0750	BALL VALVE

Figure 713.1 **Rev A** **Description**
 Hydraulic Hose and Fitting Cross-reference

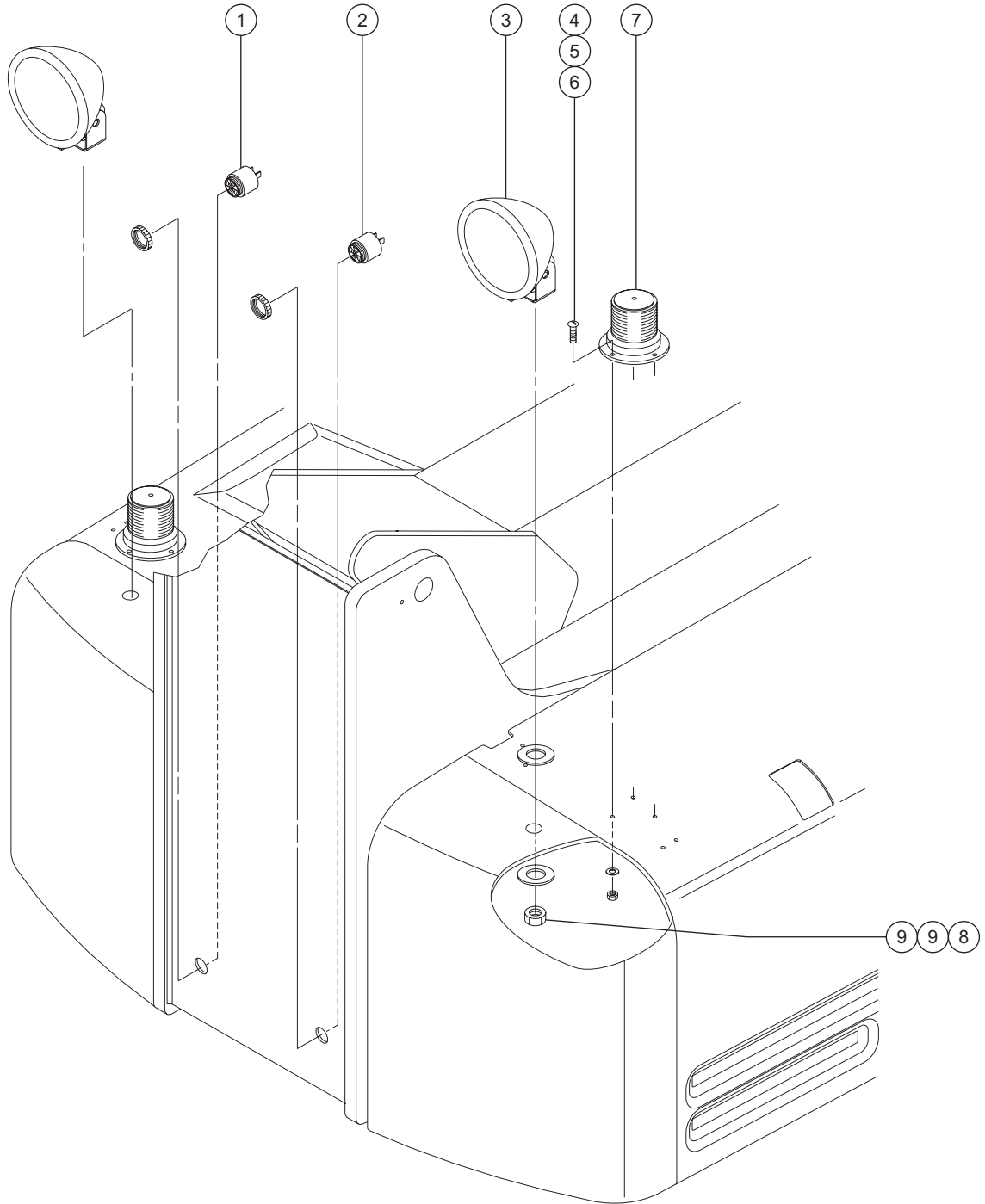
Genie PN	Parker PN	Description	Genie PN	Parker PN	Description
61259	4 CC5OLO-S	ELBOW,90° LONG,STRAIGHT THREAD TO ORFS	73437	61C-4	NUT,COMPRESSION
61260	20-12 TRLO-BL	REDUCER,TUBE END TO SWIVEL,ORFS	73438	33482-4-4B	HOSE END,PUSH LOK,MALE
61262	12 C6LO-S	ELBOW,90°,SWIVEL NUT ORFS	73767	1CD-S	ELBOW,90°,MALE TO FEMALE PIPE
61263	20 F5OHAO-S	UNION,STRAIGHT THREAD	73768	20-16-F5OG5-S	ADAPTER,FEMALE PIPE TO STRAIGHT THREAD
61264	6-10 C5OLO-S	ELBOW,90°,STRAIGHT THREAD TO ORFS	73769	16-20 F5OLO-S	CONNECTOR,STRAIGHT THREAD TO ORFS
61265	6 WNLO-WLNL-S	UNION,BULKHEAD 45°,ORFS	74660	6-8 F42EDMLO-S	CONNECTOR,MALE BSPP TO ORFS
61268	4 WNLO-WLNL-S	UNION,BULKHEAD 45°,ORFS	74661	8-8 F42EDMLO-S	CONNECTOR,MALE BSPP TO ORFS
61269	4 WLO-WLNL-S	UNION,BULKHEAD,ORFS	75007	4 FLO-S	CONNECTOR,MALE PIPE TO ORFS
61272	12 AOEL6	ELBOW,90°,STRAIGHT THREAD TO ORFS SWIVEL	75008	1/8 HP-S	PLUG,PIPE THREAD
61316	482TC-16	HOSE,1 INCH ID	75014	1/2 HP-S	PLUG,PIPE THREAD
61321	6 JLO-S	UNION TEE,ORFS	75042	8 WELO-WLNL-S	UNION,90° BULKHEAD W/NUT,ORFS
61327	782-12	HOSE,3/4 INCH ID	75043	3/4 FF-S	NIPPLE,PIPE
61328	881-24	HOSE,11/2 INCH ID	75254	24 F5OHAO-S	UNION,STRAIGHT THREAD
61336	11943-20-24	HOSE END,90° FLANGE HEAD	75255	12 F5OHAO-S	UNION,STRAIGHT THREAD
61345	12 WJJO-WLNL-S	RUN TEE, BULKHEAD,ORFS	75256	XV5O6P-24	BALL VALVE
61346	8 WNLO-WLNL-S 4	UNION,BULKHEAD 45°,ORFS	75574	4 WLNL-S	BULKHEAD LOCKNUT
61569	33782-8-8	HOSE END,45° FEMALE SWIVEL,JIC	75612	8 WJLO-WLNL-S	RUN TEE, BULKHEAD,ORFS
61610	12 FF5OLO-S	CONNECTOR,LONG,STRAIGHT THREAD TO ORFS	75613	12-8 F5OG5-S	ADAPTER,FEMALE PIPE TO STRAIGHT THREAD
61742	1/8 X 1.5 FFF	NIPPLE,PIPE	75614	8 CC5OLO-S	ELBOW,90° LONG,STRAIGHT THREAD TO ORFS
63426	8 PNTX-S	PLUG,FLARE TUBE	75628	1JB43-4-4	HOSE END,BULKHEAD,SEAL LOK
64271	4 WLO-WLNL-S	UNION,BULKHEAD,ORFS	75631	801-6	HOSE,3/8 INCH ID
64272	6 WLO-WLNL-S	UNION,BULKHEAD,ORFS	75654	20 F5OLO-S	CONNECTOR,STRAIGHT THREAD TO ORFS
65776	8 F65OL-S	CONNECTOR,STRAIGHT THREAD TO ORFS SWIVEL	75655	1J943-20-20	HOSE END,90° FEMALE SWIVEL,SEAL LOK
65880	6001012	O-RING KIT	75656	881-20	HOSE,1-1/4 INCH ID
66154	6 WTX-WLNS	UNION,BULKHEAD,FLARE TUBE	75971	8 F5OHAO-S	UNION,STRAIGHT THREAD
66155	6 WETX-S	UNION,BULKHEAD 90°,FLARE TUBE	77307	1JB43-8-8	HOSE END,BULKHEAD,SEAL LOK
66156	6 WLN-S	BULKHEAD LOCKNUT	77309	8 WLNL-S	BULKHEAD LOCKNUT
66389	6-8 F5OX-S	CONNECTOR,STRAIGHT THREAD TO FLARE TUBE	77379	8M18C87OMX-S	ELBOW,90° METRIC,STRAIGHT THREAD TO FLARE TUBE
66392	6 R5OX-S	RUN TEE,STRAIGHT THREAD	77703	3J982-8-8	HOSE END,90° FEMALE SWIVEL,SEAL LOK
66396	811-12	HOSE,3/4 INCH ID	77711	801-10	HOSE,5/8 INCH ID
66829	H3174PP	CLAMP,TUBE	77758	12 WNLO-WLNL-S	UNION,BULKHEAD 45°,ORFS
67217	4 KLO-S	UNION,CROSS,ORFS	78091	6 C6X-S	ELBOW,90°,SWIVEL NUT TO FLARE TUBE
67339	10-6 F5OX-S	CONNECTOR,STRAIGHT THREAD TO FLARE TUBE	78684	30582-8-8B	HOSE END,PUSH LOK,MALE
67357	13943-8-6	HOSE END,90° FEMALE SWIVEL,JIC	78852	549-2	HOSE,1/8 INCH ID
67358	10 HP5ON-S	PLUG,STRAIGHT THREAD	78855	10657-4-2	HOSE END,FEMALE SWIVEL,JIC
67371	12 S6LO-S	BRANCH TEE,SWIVEL NUT TO ORFS	79138	PS-B-37	SLEEVE,NYLON,2.38" ID
67498	4 FNL-S	CAP, TUBE END	79476	1JS43-6-8	HOSE END,FEMALE SWIVEL,SEAL LOK
67906	DC-370-F0F0-5	VALVE,CHECK	79847	12-3/4 A0EG-S	ELBOW,90°,STRAIGHT THREAD TO FEMALE PIPE
69316	8 FLO-S	CONNECTOR,MALE PIPE TO ORFS	80044	8 CLO-S	ELBOW,90°,MALE PIPE TO ORFS
69333	H3174PP	CLAMP,HYDRAULIC HOSE	80502	8 F5OX-S	CONNECTOR,STRAIGHT THREAD TO FLARE TUBE
69503	4 F65OX-S	CONNECTOR,STRAIGHT THREAD TO 37° SWIVEL	80503	8 C5OX-S	ELBOW,90°,STRAIGHT THREAD TO FLARE TUBE
69775	8 FNL-S	CAP, TUBE END	81010	AS-B-27	SLEEVE,NYLON,1.63" ID
71038	1/4X1/4F3HG-S	ADAPTER,CONVERSION	83052	821-6	HOSE,3/8 INCH ID
71196	12-8 F5OLO-S	CONNECTOR,STRAIGHT THREAD TO ORFS	83053	821-8	HOSE,1/2 INCH ID
71383	1/4 CD45-S	ELBOW,45°,MALE TO FEMALE PIPE	83054	821-12	HOSE,3/4 INCH ID
72270	12FNL-S	CAP, TUBE END	83055	30682-6-6	HOSE END,FEMALE SWIVEL,JIC
73436	60C-4	SLEEVE,COMPRESSION	83056	30682-12-12	HOSE END,FEMALE SWIVEL,JIC

713.1
Hydraulic Hose and Fitting Cross-reference Rev A

Genie PN	Parker PN	Description
83057	33782-6-6	HOSE END,45° FEMALE SWIVEL,,JIC
83058	33982-6-6	HOSE END,90° FEMALE SWIVEL,,JIC
83060	33982-12-12	HOSE END,90° FEMALE SWIVEL,,JIC
83063	13743-4-4	HOSE END,45° FEMALE SWIVEL,,JIC
83064	13743-8-8	HOSE END,45° FEMALE SWIVEL,,JIC
83065	13743-12-12	HOSE END,45° FEMALE SWIVEL,,JIC
83066	13943-8-8	HOSE END,90° FEMALE SWIVEL,,JIC
83067	14143-6-6	HOSE END,90° FEMALE SWIVEL,,JIC
83068	14143-8-8	HOSE END,90° FEMALE SWIVEL,,JIC
83069	14143-12-12	HOSE END,90° FEMALE SWIVEL,,JIC
83070	772-8	HOSE,1/2 INCH ID
83071	10671-8-8	HOSE END,FEMALE SWIVEL,,JIC
83072	10671-12-12	HOSE END,FEMALE SWIVEL,,JIC
83073	13771-8-8	HOSE END,45° FEMALE SWIVEL,,JIC
83074	13771-12-12	HOSE END,45° FEMALE SWIVEL,,JIC
83075	13971-8-8	HOSE END,90° FEMALE SWIVEL,,JIC
83076	13971-12-12	HOSE END,90° FEMALE SWIVEL,,JIC
83077	14171-8-8	HOSE END,90° FEMALE SWIVEL,,JIC
83078	14171-12-12	HOSE END,90° FEMALE SWIVEL,,JIC
83080	13943-16-16	HOSE END,90° FEMALE SWIVEL,,JIC
83103	10671-16-12	HOSE END,FEMALE SWIVEL,,JIC
83104	10671-10-12	HOSE END,FEMALE SWIVEL,,JIC
83112	1JC71-8-8	HOSE END,FEMALE SWIVEL,SEAL LOK
83113	1JS71-16-12	HOSE END,FEMALE SWIVEL,SEAL LOK
83114	1JS71-10-12	HOSE END,FEMALE SWIVEL,SEAL LOK
83115	1J971-8-8	HOSE END,90° FEMALE SWIVEL,SEAL LOK
83116	1J171-8-8	HOSE END,90° FEMALE SWIVEL,SEAL LOK
83117	1J771-8-8	HOSE END,45° FEMALE SWIVEL,SEAL LOK
83127	1J543-6-8	HOSE END,90° FEMALE SWIVEL,,JIC
83128	1JC43-6-8	HOSE END,FEMALE SWIVEL,SEAL LOK
87033	12-6 TRLO-S	REDUCER,TUBE END TO SWIVEL,ORFS
87034	3J782-8-8	HOSE END,45° FEMALE SWIVEL,SEAL LOK
87172	12 HP50N-S	PLUG,STRAIGHT THREAD
87185	8 WNLO-WLNL-S	UNION,BULKHEAD 45°,ORFS
87246	4 C6X-S	ELBOW,90°,SWIVEL NUT TO FLARE TUBE
87679	6 LHP-S	FLANGE SEAL FITTING, MALE
87681	6PLS N0702	BONDED SEAL
88100	SR88100	ADAPTER,OIL DRAIN,GM 3.0L
88311	1JS43-20-20	HOSE END,FEMALE SWIVEL,SEAL LOK
88353	20 V5OLO-S	ELBOW,45°,STRAIGHT THREAD TO ORFS
88474	10081-20	Crimp Shell, 1.25"
88475	1988-20-24	HOSE END,90° FLANGE HEAD
88476	JS88-24-24	HOSE END,FEMALE SWIVEL,SEAL LOK
88477	1JC88-20-20	HOSE END,FEMALE SWIVEL,SEAL LOK
88478	811-20	HOSE,1 1/4 INCH ID
88936	20-16 F5OLO-S	CONNECTOR,STRAIGHT THREAD TO ORFS
88937	20-16 FLO-S	CONNECTOR,MALE PIPE TO ORFS
88938	1JC88-16-16	HOSE END,FEMALE SWIVEL,SEAL LOK

Genie PN	Parker PN	Description
88939	1J988-16-16	HOSE END,90° FEMALE SWIVEL,ORFS
88940	811-16	HOSE,1 INCH ID
88944	1J988-20-20	HOSE END,90° FEMALE SWIVEL,ORFS
89403	16 VLO-S	ELBOW,45°,MALE PIPE TO ORFS
89449	6 WJLO-WLNL-S	RUN TEE, BULKHEAD,ORFS
89489	4 WJMLO-S	BRANCH TEE,BULKHEAD,ORFS
89551	1JB43-6-6	HOSE END,BULKHEAD,SEAL LOK
89552	1JB43-8-8	HOSE END,BULKHEAD,SEAL LOK
89593	20 C5OLO-S	ELBOW,90°,STRAIGHT THREAD TO ORFS
94161	8-8 CLO-S	ELBOW,90°,MALE PIPE TO ORFS
94358	351TC-12	HOSE,3/4 INCH ID
94418	20 FLO-S	CONNECTOR,MALE PIPE TO ORFS
96358	12 TX-S	SLEEVE,FLARE TUBE
96359	12 BTX-S	NUT,FLARE TUBE
96397	8 F5OX-S	CONNECTOR,STRAIGHT THREAD TO FLARE TUBE
96398	12-8 F5OX-S	CONNECTOR,STRAIGHT THREAD TO FLARE TUBE
96402	10343-6-6	HOSE END,MALE,,JIC
96407	30382-6-6B	HOSE END,MALE,,JIC

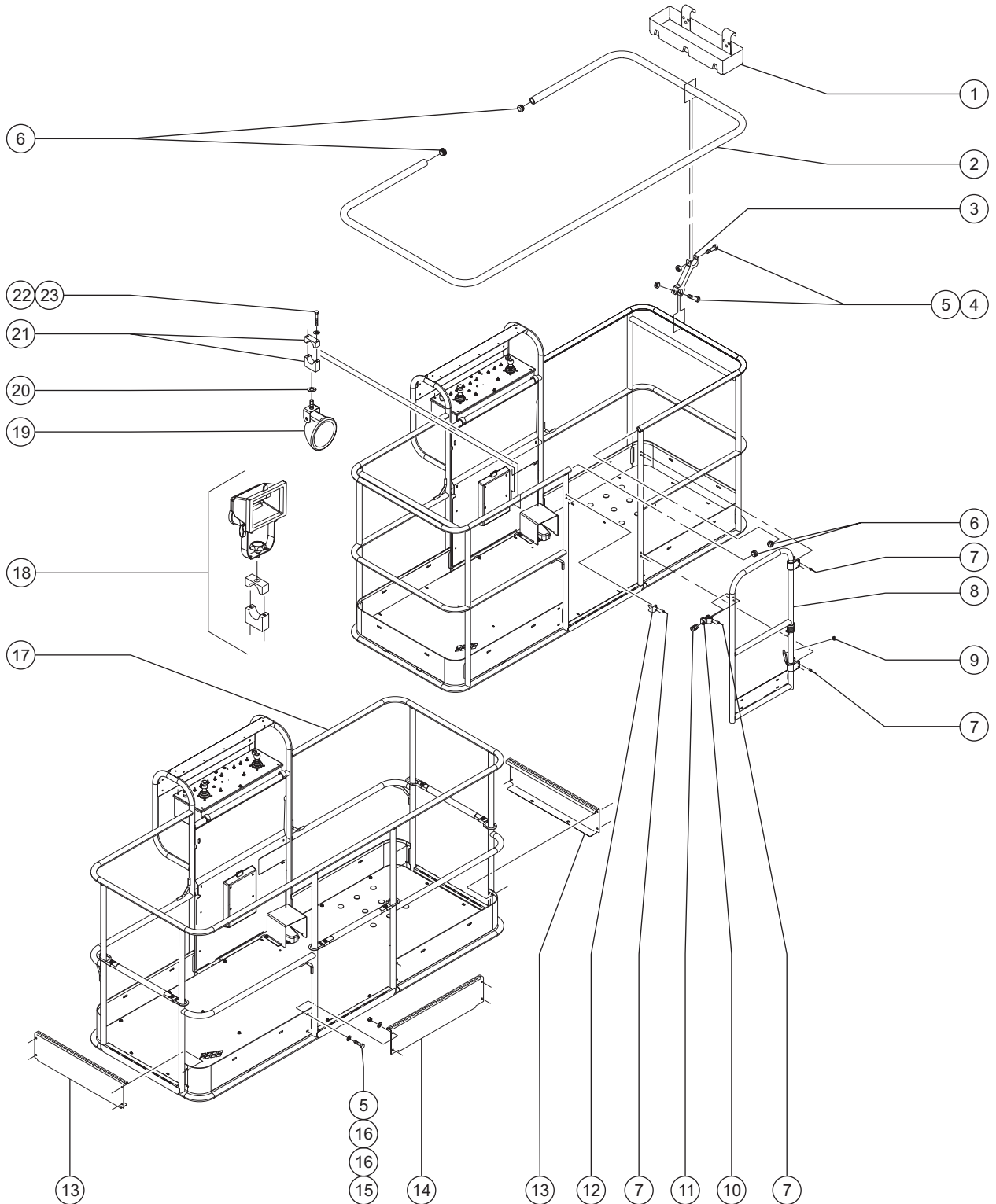
Figure 801.1 **Rev** D **Description** Alarm and Beacon Package, Drive Light Option



Item	Part No.	Description	Qty.
—	46985	Alarm and Beacon Package, Complete	
—	89691	Drive Lights Option, Complete (includes item 3)	
—	Ref.	Alarm Package Harness (refer to 311.1)	
—	72867	Label - Drive Lights	
1	45462	Chime Tone Alarm, 5-25V DC (descent)	1
—	72326	Plastic Ring Nut	
2	18963	Intermittent Tone Alarm, 6-30V DC (travel)	1
—	72326	Plastic Ring Nut	
3	35958	Housing - Drive Light	2
—	35960	Drive Light, 12V DC	
—	Ref.	Harness, Drive Lights (refer to 311.1)	
4	6147	Screw - RHM, 10-32 x 1 inch	
5	6146	Flat Washer, Plated, #10	
6	6178	Nylock Nut, 10-32	
7	122030	Strobe, 12-72 V DC, Amber	2
—	72282	Amber Lens	
—	122019	Flashtube (after serial number 11296)	
8	6096	Screw - HHC, 1/2 -13 x 2 inches, GR 5	
9	33418	Plate Washer, 5/8 x 2.25 x 0.15 inch	



Figure 802.1
Rev E
Description Platform Options



Item	Part No.	Description	Qty.
—	53808-S	Pinch Guard Option, 6 Foot Platform - Complete	
—	53807-S	Pinch Guard Option, 8 Foot Platform - Complete	
—	73433-S	Swing Gate Option - Complete	
—	34321-S	Work Light Option, 12V DC - Complete (includes item 19)	
—	Ref.	Work Light Wire Harness (refer to 311.1)	
—	89540	Halogen Work Light Option 110V AC, 150W	
—	102720	European Toeboard, Tri-Entry Option, 8 Foot (includes items 5, 13-16)	

The following is a list of complete Tri-Entry platform assemblies by region, and then by size.

**USA and Canada models:
(before serial number 9753)**

—	102433	6 Foot Platform Tri-Entry Assembly	
—	102437	8 Foot Platform Tri-Entry Assembly	

(after serial number 9752)

—	111302	6 Foot Platform Tri-Entry Assembly	
—	111303	8 Foot Platform Tri-Entry Assembly	

European models:

—	102439	8 Foot Platform Tri-Entry Assembly	
---	--------	------------------------------------	--

Australian models:

(before serial number 9753)

—	102434	6 Foot Platform Tri-Entry Assembly	
—	102438	8 Foot Platform Tri-Entry Assembly	

(after serial number 9752)

—	111304	6 Foot Platform Tri-Entry Assembly	
—	111305	8 Foot Platform Tri-Entry Assembly	

Asia and South American models:

—	102436	6 Foot Platform Tri-Entry Assembly	
—	102443	8 Foot Platform Tri-Entry Assembly	

Item	Part No.	Description	Qty.
1	9599-S	Tool Tray	1
2	53804P	Pinch Guard, 6 foot.....	1
—	52661P	Pinch Guard, 8 foot	
3	53803	Pinch Guard Support (1.25 inch tubing)	10
4	4266	Screw - HHC, 1/4 -20 x 2 inches	
5	6091	Nylock Nut, 1/4 -20	
6	55753	Cap Plug, 1.187 inches	2
7	7265	Steel Rivet, 0.25 x 0.375 inch	14
8	36870-S	Swing Gate	1
9	43392	Rubber Bumper Gate Stop	1
10	1487	Gate Latch Casting	1
11	33674	Snap Pin	1
12	1488	Railing Catch Casting	1
13	102721P	Toeboard - Tri-Entry (8 foot)	2
14	94745P	Toeboard - Tri-Entry (8 foot)	1
15	6090	Screw - HHC, 1/4 inch	
16	6638	Flat Washer, 1/4 inch	

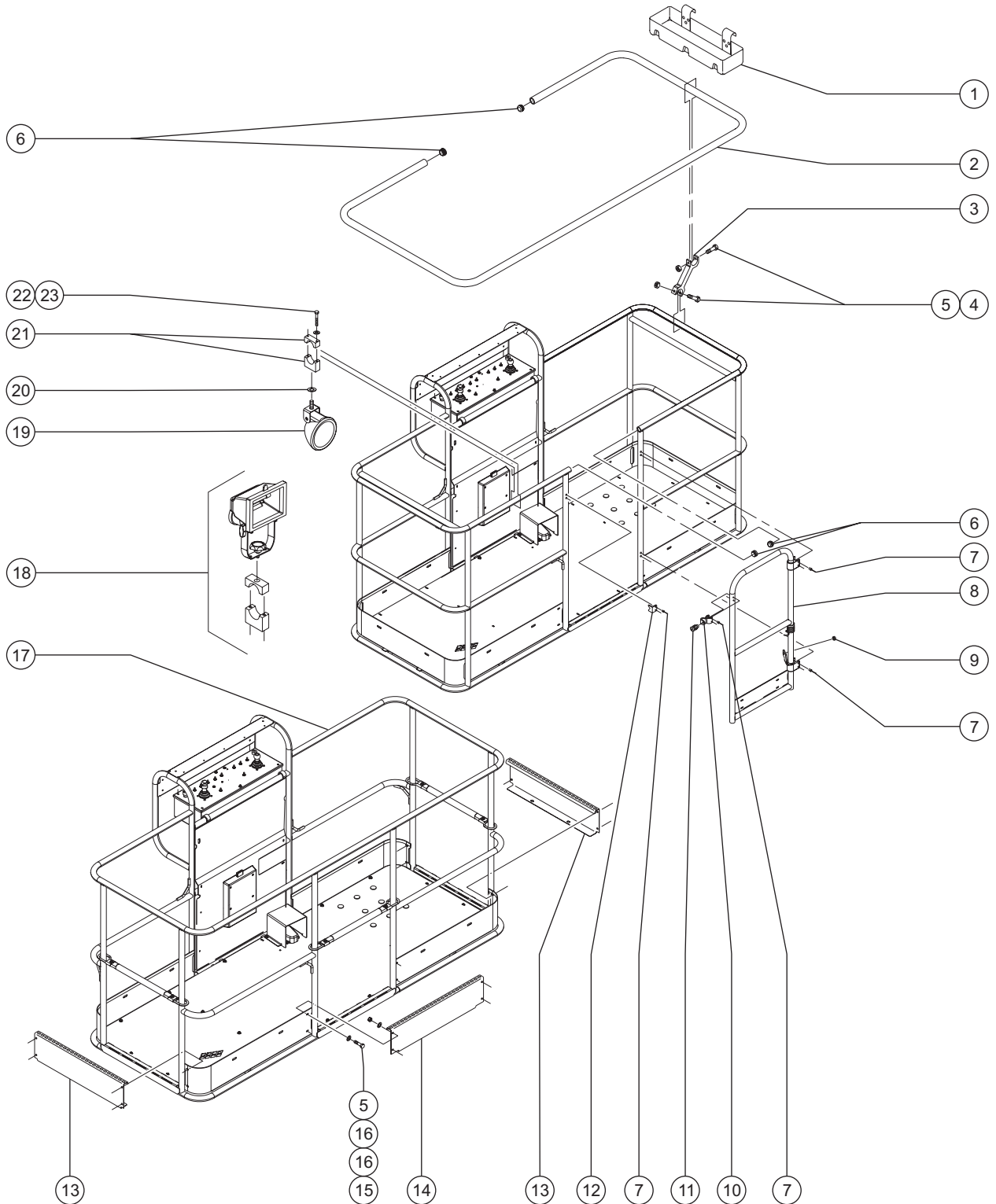
This list continues on the next page.



Figure
802.1

Rev
E

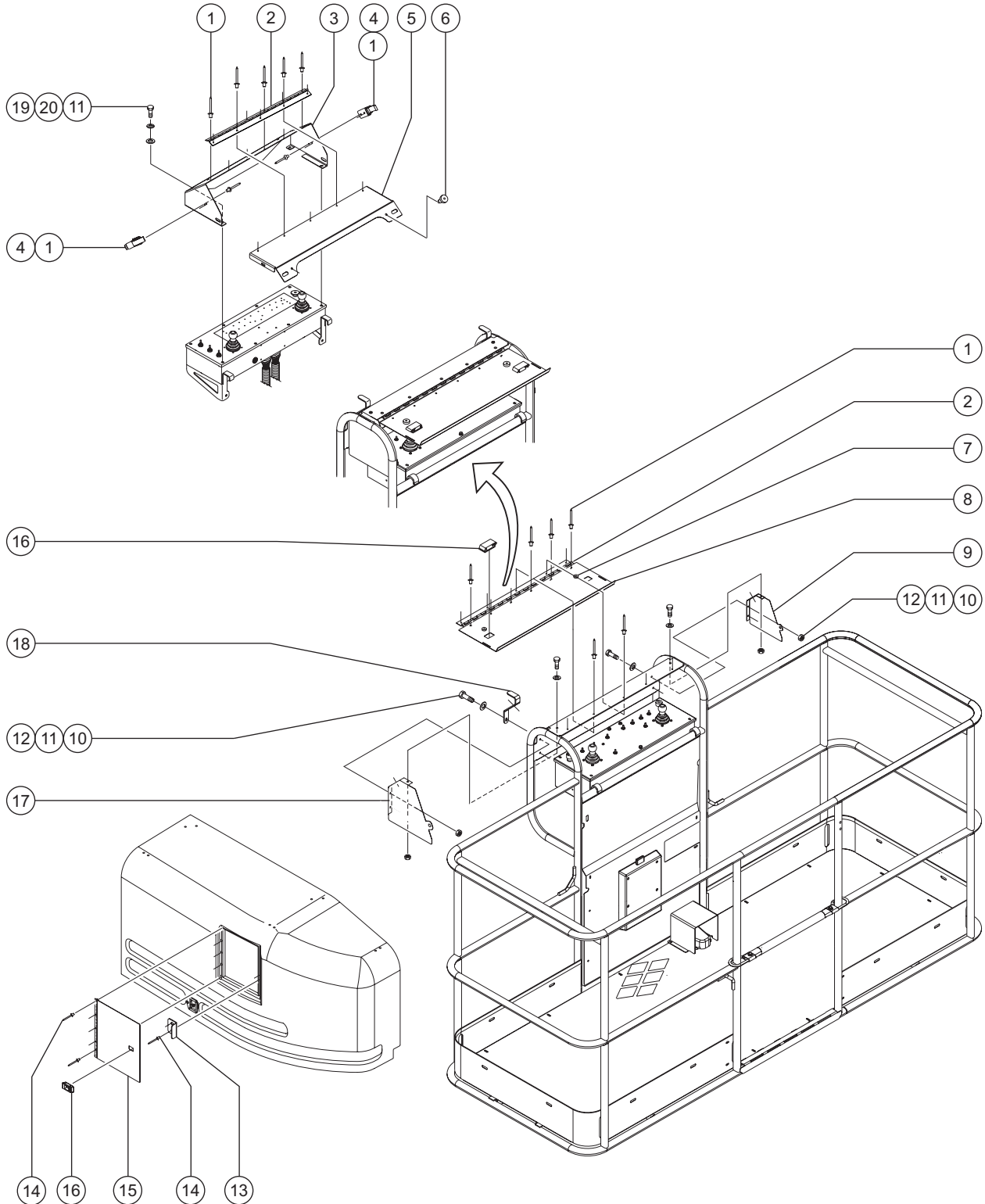
Description
Platform Options



Item	Part No.	Description	Qty.
USA and Canada models:			
(before serial number 9753)			
17	107704	6 Foot Platform Tri-Entry Railing Assembly with Decals	
—	107705	8 Foot Platform Tri-Entry Railing Assembly with Decals	
(after serial number 9752)			
17	111319	6 Foot Platform Tri-Entry Railing Assembly with Decals	
—	111320	8 Foot Platform Tri-Entry Railing Assembly with Decals	
European models:			
17	107706	8 Foot Platform Tri-Entry Railing Assembly with Decals	
Australian models:			
17	107707	6 Foot Platform Tri-Entry Railing Assembly with Decals	
—	107708	8 Foot Platform Tri-Entry Railing Assembly with Decals	
Asia and South American models:			
17	107709	6 Foot Platform Tri-Entry Railing Assembly with Decals	
—	107710	8 Foot Platform Tri-Entry Railing Assembly with Decals	
18	88904	Work Light, 110V AC, 150W, Halogen (includes items 21-23)	2
19	35958	Housing - Work Light	2
—	35960	Work Light, 12V DC	
20	6036	Lock Washer, 5/8 inch	
21	35956	Work Light Mount Bracket	2
22	6145	Screw - HHC, 1/4 -20 x 1.5 inches	
23	6356	Lock Washer, 1/4 inch	



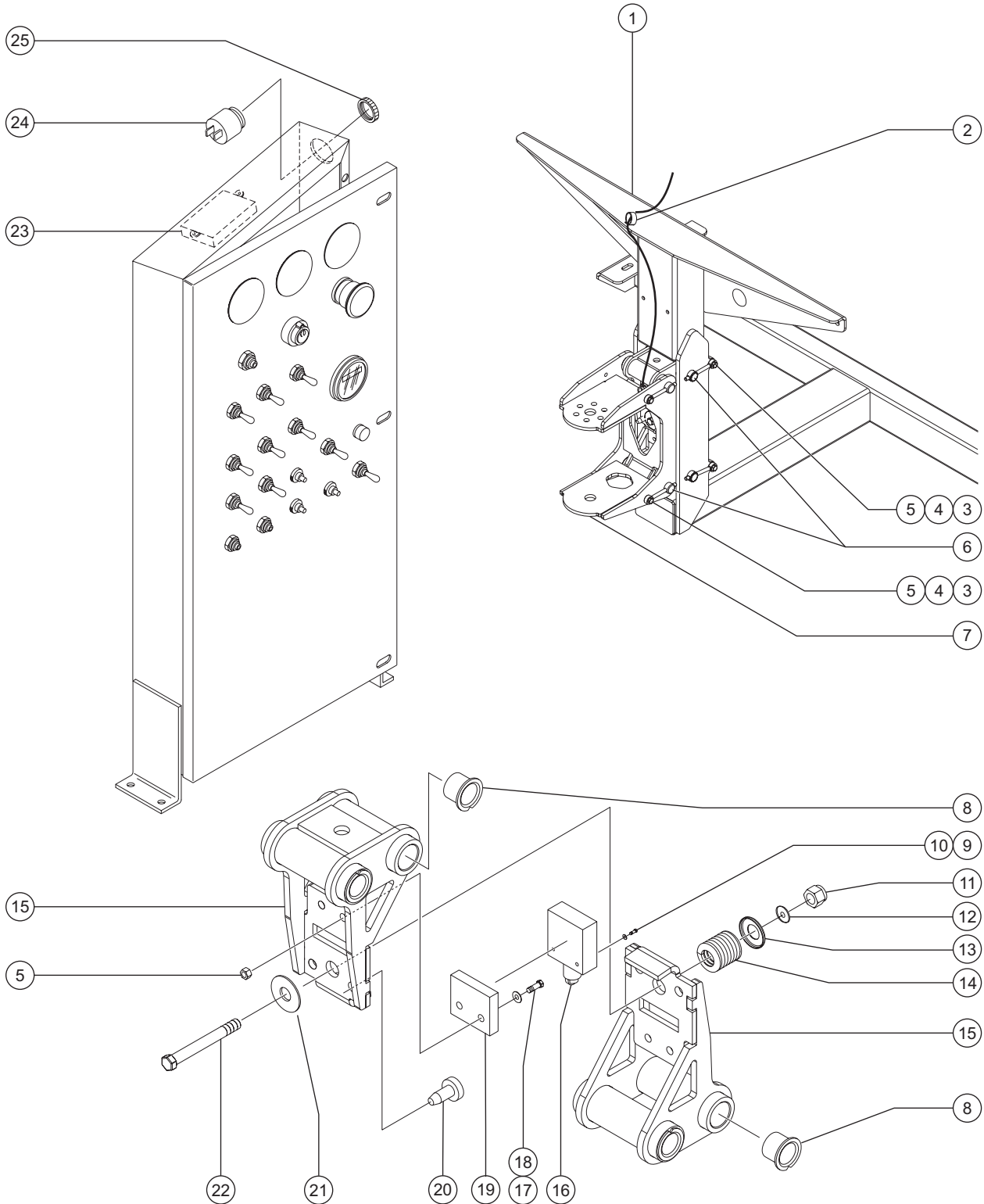
Figure 803.1 **Rev C** **Description**
 Ground and Platform Control Box Covers Options



Item	Part No.	Description	Qty.	Item	Part No.	Description	Qty.
—	88603-S	Base and Platform Covers Option - Complete		17	88607P	Platform Controls Cover, Tank Side	1
—	81702-S	Platform Control Box Cover (before serial number 7080)		18	102786P	Control Box Lid Latch	2
—	88609-S	Platform Control Box Cover (from serial number 7080 to 7121)		19	8914	Screw - HHC, 1/4 -20 x 0.625 inch, GR 5	
—	102854	Platform Control Box Cover (after serial number 7121)		20	6356	Lock Washer, 1/4 inch	
1	54486	Aluminium Rivet, 3/16 inch	15				
2	111526	Platform Controls Hinge, 28 inches	1				
3	60467-S	Platform Controls Cover (before serial number 7080)	1				
4	61625	Draw Latch (before serial number 7080)	2				
5	60468-S	Platform Controls Cover, lid (before serial number 7080)	1				
6	43392	Rubber Bumper (before serial number 7080)	2				
7	34619	Rubber Bumper	2				
8	88608P	Platform Controls Cover Lid (from serial number 7080 to 7121)	1				
—	102785P	Platform Controls Cover Lid (after serial number 7121)					
—	102676P	Platform Controls Cover Lid Assembly (after serial number 7121)					
9	88606P	Platform Controls Cover, Engine Side	1				
10	6889	Nylock Nut, 1/4 -20					
11	6638	Flat Washer, 1/4 inch					
12	6090	Screw - HHC, 1/4 -20 x 0.75 inch, GR 5					
13	49534	Door Latch	1				
14	53189	Aluminium Rivet, 0.25 x 0.375 inch	7				
15	102148	Base Control Box Cover Assembly with Decals (includes items 13, 14 and 16)	1				
16	30468	Latch	3				



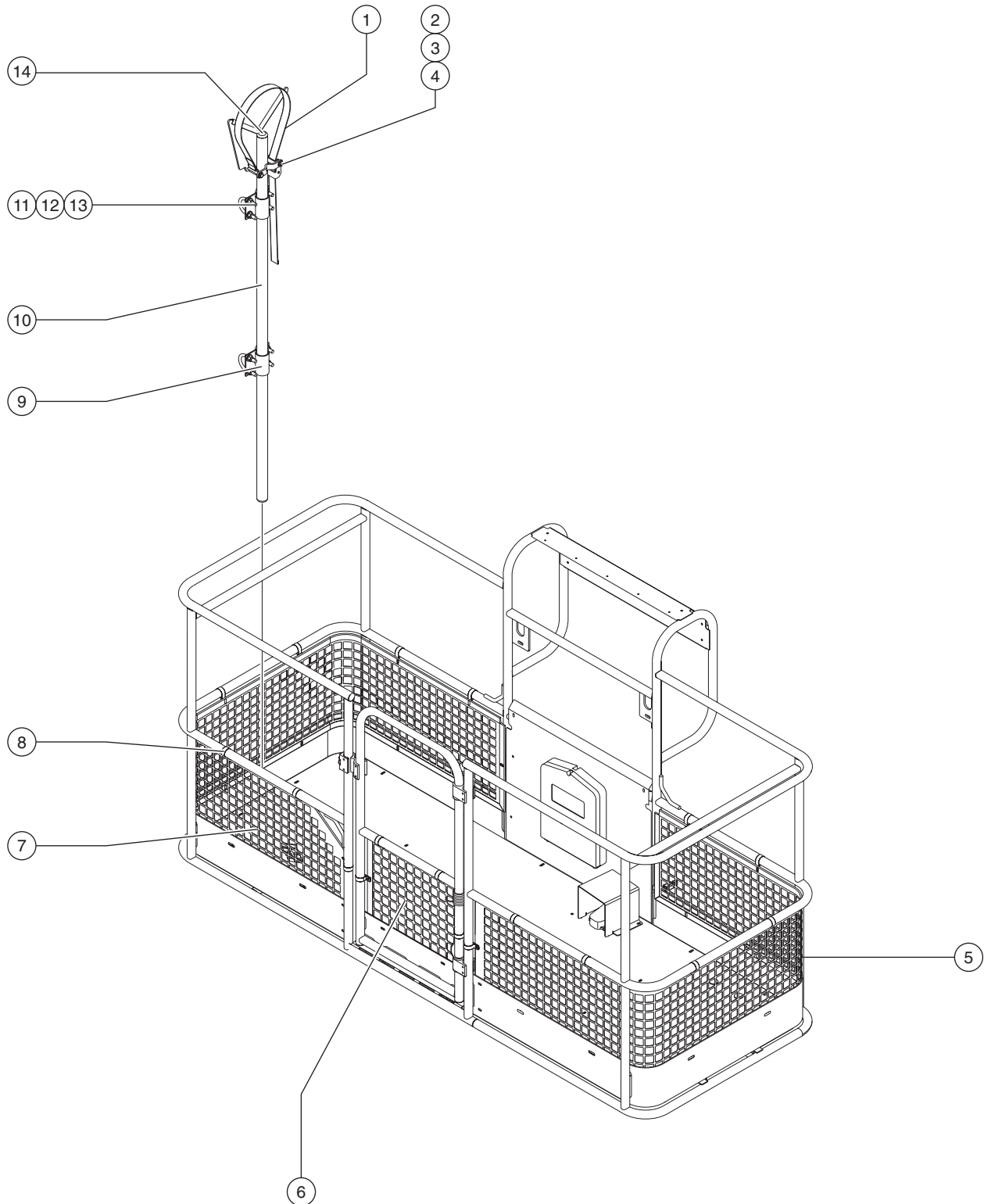
Figure 804.1 **Rev** C **Description** Platform Overload - European Models



Item	Part No.	Description	Qty.	Item	Part No.	Description	Qty.
—	102069	Platform Overload Upgrade Kit (before serial number 7182)		22	21604	Screw - HHC, 3/8 -16 x 3.25 inches, GR 5	
—	Ref.	Harness, Platform Load Sense (refer to 311.1)		23	111091	Platform Overload Module	1
—	89922	Platform Overload Option (after serial number 7181)		24	45383	Alarm - Warble Tone, 5-30V DC	1
1	61997	Platform Support	1	25	72326	Retainer Nut	1
2	6833	Rubber Cushioned Clamp, 0.5 x 0.25 inch	1				
—	6090	Screw - HHC, 1/4 -20 x 0.75 inch, GR 5					
—	6091	Nylock Nut, 1/4 -20					
3	6888	Screw - HHC, 1/4 -20 x 1 inch, GR 5					
4	45748	Rod End, 0.25 x 2.75 inches	4				
5	6091	Nylock Nut, 1/2 -20					
6	61726	Pivot Pin. 0.75 x 5.75 inches	4				
—	94643	Zerk Fitting					
7	61804	Rotator Mount	1				
8	94175	Flanged Bearings, 0.75 x 0.875 x 0.5 inch	8				
9	51063	Screw - PHPM, 10-32 x 1.5 inches					
10	6146	Flat Washer, #10					
11	4828	Nylock Nut, 3/8 -16					
12	6097	Flat Washer, 3/8 inch					
13	61975	Spring Retainer, 1.21 x 0.375 inch	1				
14	61974	Compression Spring, 232 in/lbs ...	1				
15	89755	Load Support with Bearings (includes item 8)	2				
16	94549	Limit Switch	1				
17	4266	Screw - HHC, 1/4 -20 x 2 inches, GR 5					
18	6638	Flat Washer, 1/4 inch					
19	61972	Limit Switch Mount	1				
20	34619	Rubber Bumper	2				
21	80605	Flat Washer, 0.375 x 1.5 x 0.125 inch					

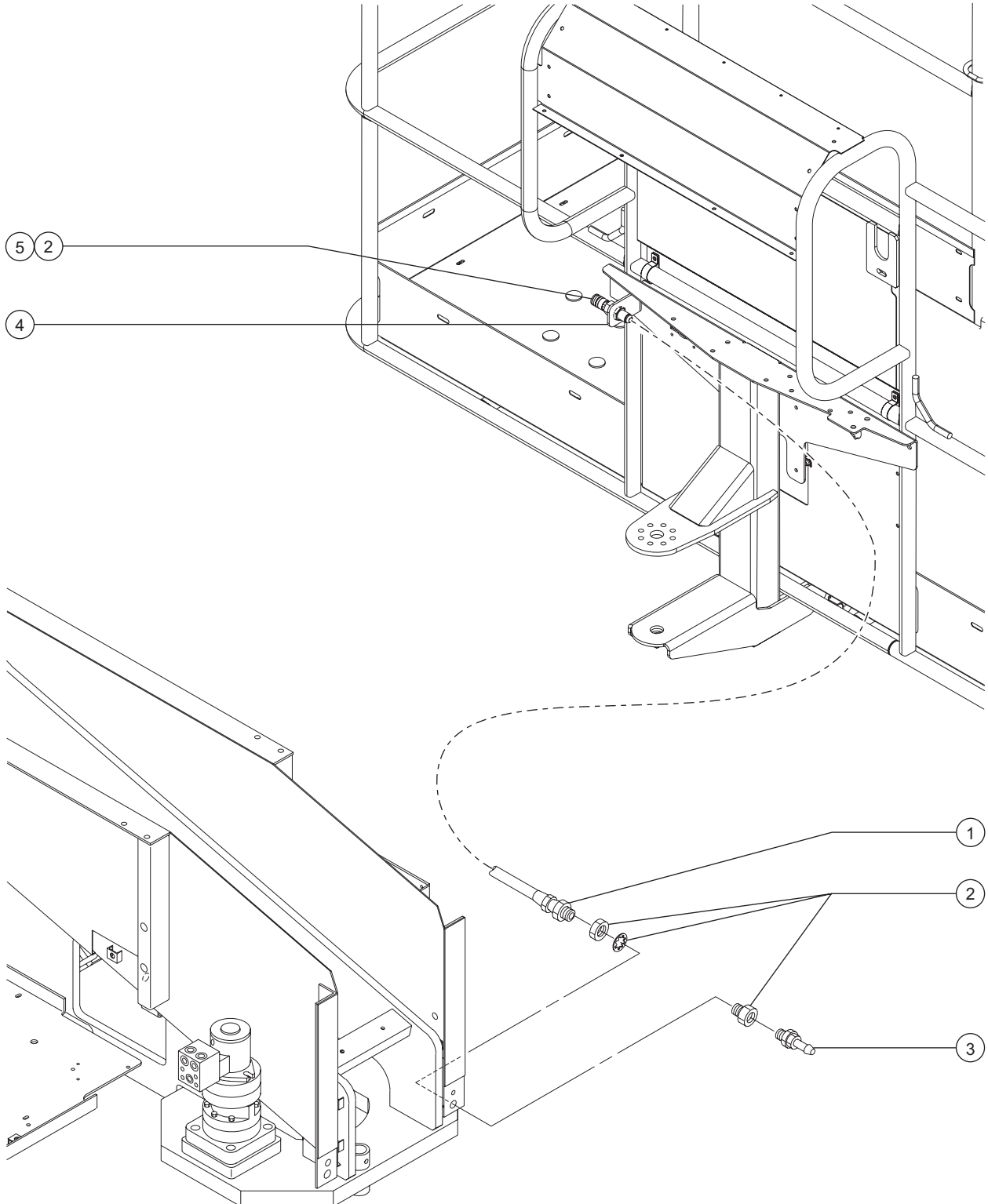


Figure 805.1 **Rev** C **Description** Platform Half-Mesh and Pipe Cradle



Item	Part No.	Description	Qty.
—	85300	Pipe Cradle Option with Decal	
—	72875	Decal - Warning, Pipe Cradle	
—	73956-S	6 foot Half-mesh, Complete	
—	73958-S	8 foot Half-mesh, Complete	
—	Ref.	Swing Gate Option, Complete (refer to 802.1)	
1	56570	Pipe Cradle Strap	1
2	6884	Screw - HHC, 1/4 -20 x 2.5 inches, GR 5	
3	6638	Flat Washer, 1/4 inch	
4	6889	Low Profile Nylock Nut, 1/4 -20	
5	73500	Half-mesh, Right Side, 8 Foot	1
—	54465	Half-mesh, Right Side, 6 Foot	
6	54457	Half-mesh, Swing Gate	1
7	73501	Half-mesh, Left Side, 8 Foot	1
—	54458	Half-mesh, Left Side, 6 Foot	
8	56424	Clamp, 1.25 x 0.5 inch	14
—	6090	Screw - HHC, 1/4 -20 x 0.75 inch, GR 5	
—	6091	Nylock Nut, 1/4 -20	
—	6638	Flat Washer, 1/4 inch	
9	81368	Pipe Bracket	1
10	56525	Pipe Assembly	1
11	6550	U-bolt, 3/8 -16 x 1.5 inches	4
12	4828	Nylock Nut, 3/8 -16	
13	5397	Flat Washer, 5/16 inch	
14	55753	Plastic Plug, 1.25 inches	2

Figure 806.1
Rev B
Description Air Line to Platform

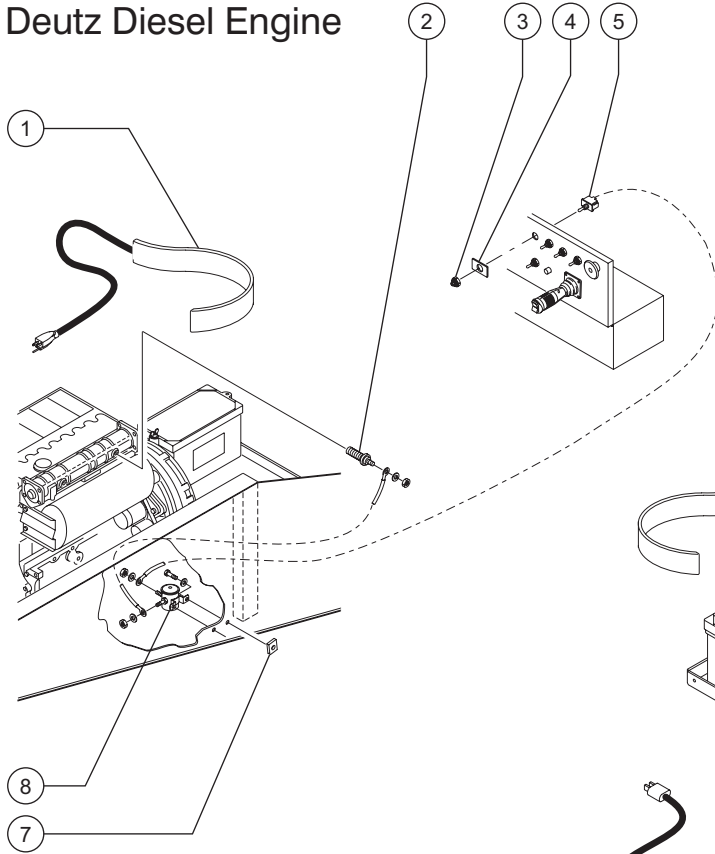


Item	Part No.	Description	Qty.
—	30620-S	Air Line to Platform Option	
—	44981	Label - Air Line to Platform, 110 psi / 7.58 bar	
1	49177-71294	Hose Assembly - Components: Genie part numbers 49213, 49213 and 39888 @ 711 inches	1
2	49212	Female Bulkhead Adapter	2
3	49214	Male Quick Disconnect Plug	1
4	60886P	Air Line Mount Plate (mounts with existing hardware)	1
5	49215	Female Quick Disconnect	1

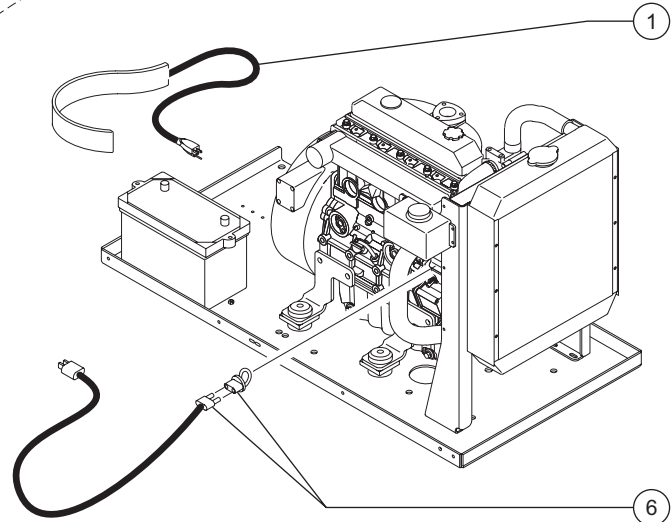
The length listed in the component description is the length of the hose only. Refer to 713.1 to cross-reference Genie part numbers to Parker part numbers.

Figure	Rev	Description
807.1	B	Cold Start Package

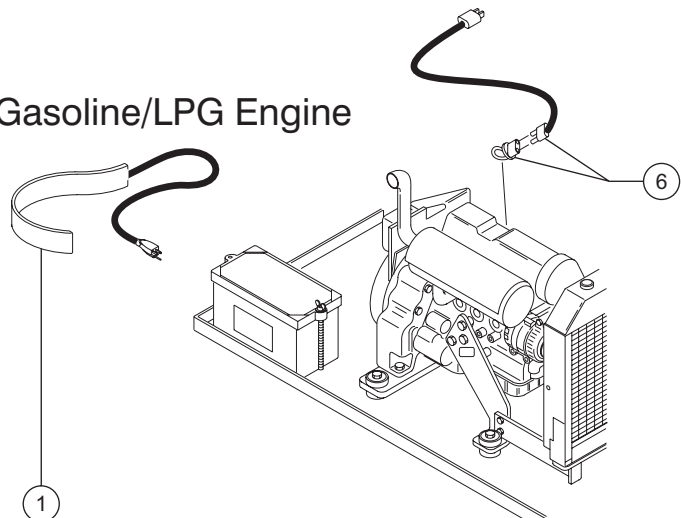
Deutz Diesel Engine



Perkins Diesel Engine



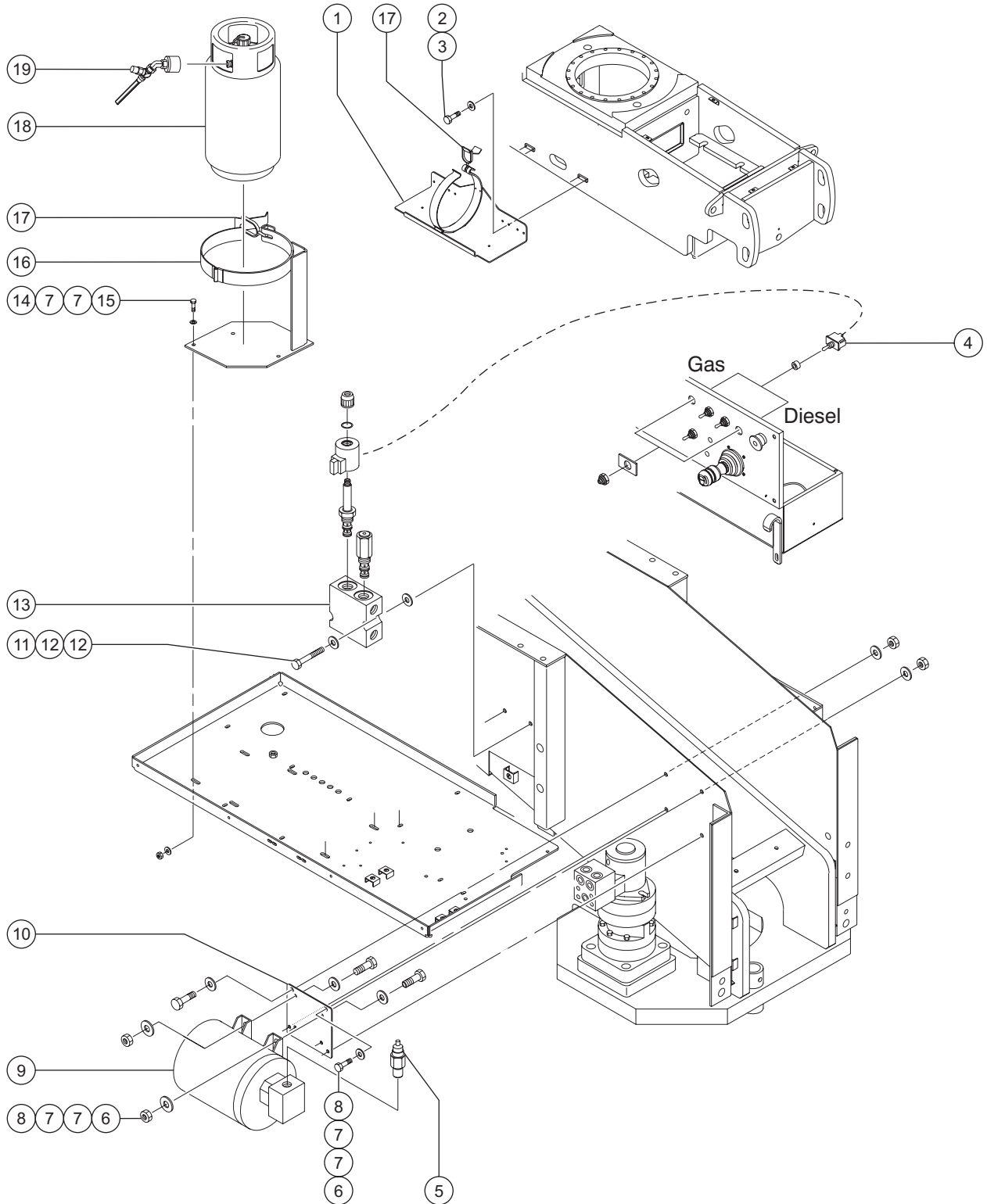
Ford Gasoline/LPG Engine



Item	Part No.	Description	Qty.	Item	Part No.	Description	Qty.
—	53156	Cold Start Package, 110V, 60Hz (Ford models) (includes items 1 and 6)		8	27155	Solenoid, 12V Continuous (Deutz models) (before serial number 7544)	1
—	53982	Cold Start Package, 110V, 60Hz (Perkins 704-30 models) (includes items 1 and 6) (before serial number 7472)					
—	70361	Cold Start Package, 110V, 60Hz (Perkins 404-22 models) (includes items 1 and 6) (after serial number 7471)					
—	53159-S	Cold Start Package, 110V, 60Hz (Deutz F3L 1011F models) (includes items 1-5, 7 and 8 (before serial number 7544)					
—	70360	Cold Start Package, 110V, 60Hz (Deutz F3L 2011 models) (includes item 1) (after serial number 7543)					
1	28853	Battery Blanket, 110V, 60Hz	3				
2	31408	Glow Plug (Deutz models) (before serial number 7544)	1				
3	27246	Rubber Boot (Deutz models) (before serial number 7544)	1				
4	32726	Glow Plug Decal (Deutz models) (before serial number 7544)	1				
5	13037	Toggle Switch - SPDT, 3 Position, Momentary (includes mounting fasteners) (Deutz models) (before serial number 7544)	1				
—	54692	Nylon Spacer, 0.718 x 0.526 x 0.219 inch (before serial number 7544)					
6	70552	Freeze Plug Heater, 110V, 60Hz (Perkins models) (before serial number 7472)	1				
—	77382	Freeze Plug Heater, 110V, 60Hz (Perkins models) (after serial number 7471)					
6	35610	Freeze Plug Heater, 110V, 60Hz (Gasoline/LPG models)	1				
7	25969	Spring Clip Nut, 1/4 -20 (Deutz models) (before serial number 7544)	2				





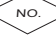
Figure 808.1 **Rev** G **Description** Generator and Second LPG Tank Options

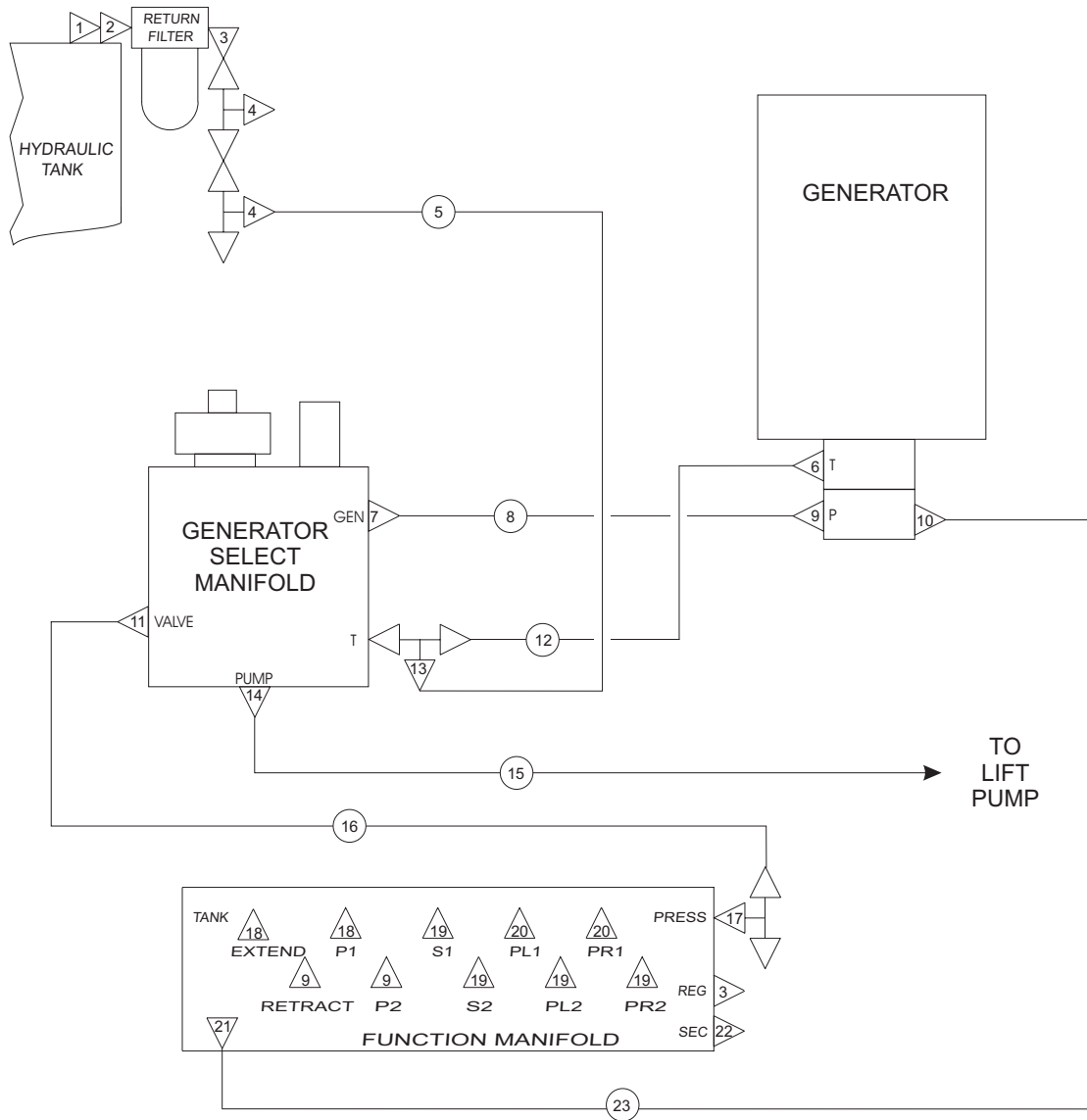


Item	Part No.	Description	Qty.	Item	Part No.	Description	Qty.
—	89606	2500W Generator Option 220V AC, 50Hz		9	36928	Hydraulic Generator, 2500W, 220V AC 50Hz	
—	89605	3000W Generator Option 110V AC, 60Hz				(includes item 2)	1
—	73963	LPG Tank Option		—	32732	Rectifier Assembly	
—	89628	Second LPG Carrier Option (includes item 20) (before serial number 7401)		—	32733	Bridge, 35A Full Wave	
—	102347	Second LPG Carrier Option (includes item 20) (after serial number 7400)		—	89719	Brush Endbell Assembly	
1	89531-S	Second LP Tank Carrier Mount (before serial number 7401)	1	—	52086	Hydraulic Motor	
—	60143-S	Second LP Tank Carrier Mount (after serial number 7400)		9	111381	Hydraulic Generator, 3000W, 110V AC 60Hz	
2	8255	Screw - HHC, 3/8 -16 x 0.75 inch, GR 5				(includes item 2)	1
3	6021	Lock Washer, 3/8 inch		—	32732	Rectifier Assembly	
4	27378-S	Toggle Switch (generator option) DPDT, 2 Position, Maintained	1	—	32733	Bridge, 35A Full Wave	
—	54692	Nylon Spacer, 0.718 x 0.526 x 0.219 inch		—	52000	Brush Holder Assembly with Brush	
—	27246	Rubber Boot		—	52001	Hydraulic Motor	
—	32728	Generator Decal		10	89434P	Generator Mount	1
5	32735	Flow Regulator Valve, 4.3 gpm / 16.3 L/min (for use with 2500W generator)	1	11	4266	Screw - HHC, 1/4 -20 x 2 inches, GR 5	
—	65841	Flow Regulator Valve, 6.5 gpm / 24.6 L/min (for use with 3000W generator)		12	6638	Flat Washer, 1/4 inch	
6	13918	Screw - HHC, 3/8 -16 x 1.75 inches, GR 8	8	13	Ref.	Flow Control Manifold (Refer to 704.1)	
7	5397	Flat Washer, 5/16 inch		14	6019	Screw - HHC, 3/8 -16 x 1.25 inches, GR 5	
8	4828	Nylock Nut, 3/8 -16		15	7713	Nylock Nut, 3/8 -16	
				16	53120-S	LPG Tank Mount (before serial number 7401)	1
				—	102342	LPG Tank Mount (after serial number 7400)	
				17	49000	LP Tank Latch	1
				18	53605	LPG Tank, 33.5 lbs.	1
				19	25967	LPG Hose Assembly (before serial number 7401)	1
				—	30275	LPG Hose Assembly (after serial number 7400)	



Figure 809.1 **Rev B** **Description**
 Hydraulic Hoses and Fittings - Generator

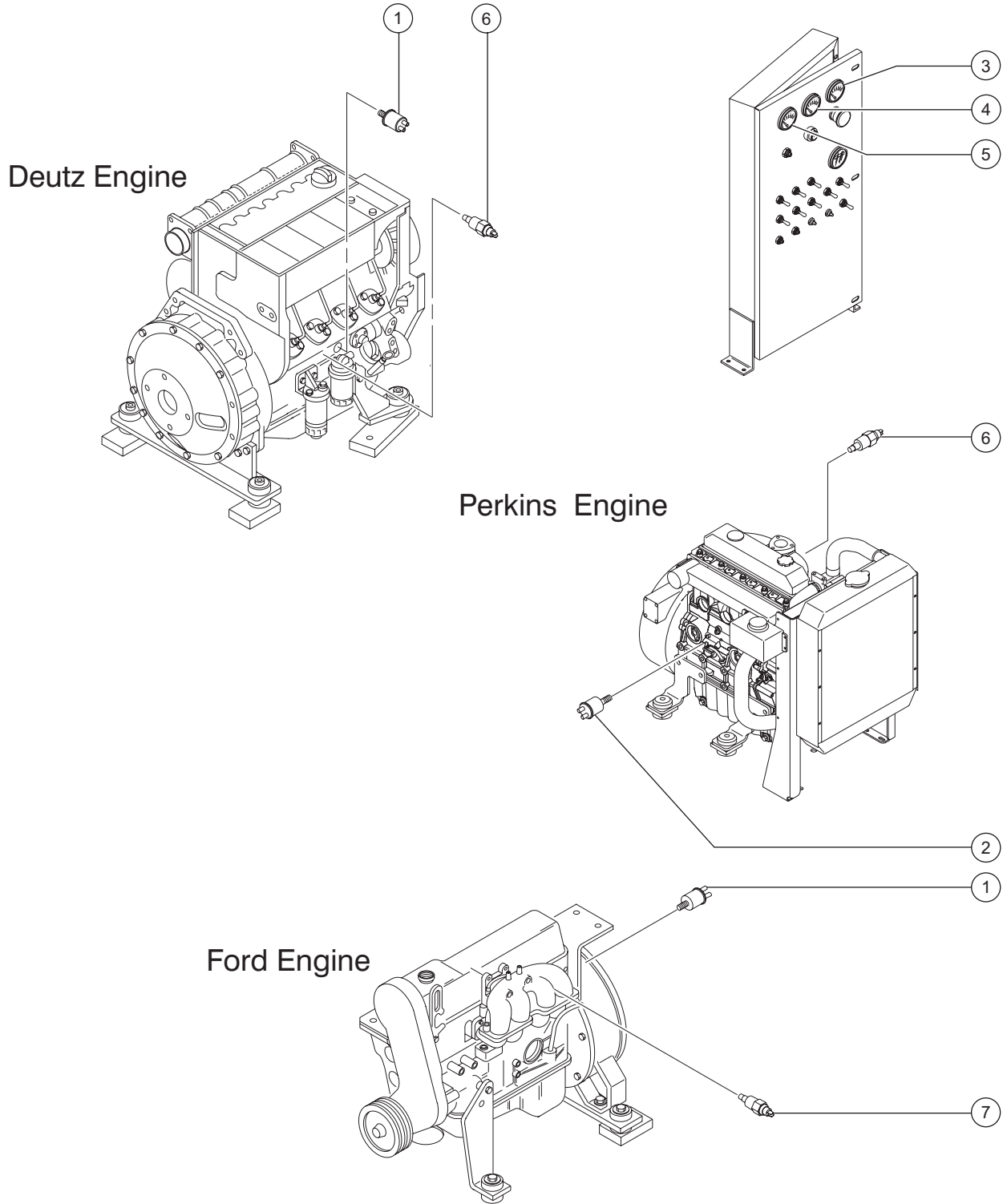
LEGEND	
	FITTING
	HOSE ASSEMBLY
	UNION



Item	Part No.	Description	Qty.	Item	Part No.	Description	Qty.
—	49613	Plug and Cap Kit (for ORFS fittings)		21	48912	Fitting	1
—	49612	O-ring Kit (services ORFS fittings)		22	48930	Fitting	1
1	48986	Fitting	1	23	49117-3391	Hose Assembly - Components: Genie part numbers 48802, 48800 and 48751 @ 32 inches	1
2	49512	Fitting	1				
3	49515	Fitting	2				
4	48964	Fitting	2				
5	49142-7062	Hose Assembly - Components: Genie part numbers 48822, 48839 and 48756 @ 68 inches	1				
6	49203	Fitting	1				
7	48933	Fitting	3				
8	49143-2979	Hose Assembly - Components: Genie part numbers 48822, 48827 and 48756 @ 27.5 inches	1				
9	48937	Fitting	3				
10	48905	Fitting	1				
11	48960	Fitting	1				
12	65513	Hose Assembly - Components: Genie part numbers 48828, 48827 and 48756 @ 27.5 inches	1				
13	48935	Fitting	1				
14	48958	Fitting	1				
15	49101-7835	Hose Assembly - Components: Genie part numbers 48833, 48840 and 48759 @ 75.25 inches	1				
16	49101-5910	Hose Assembly - Components: Genie part numbers 48833, 48840 and 48759 @ 56 inches	1				
17	48954	Fitting	1				
18	48934	Fitting	2				
19	48916	Fitting	4				
20	48917	Fitting	2				

The length listed in the component description is the length of the hose only. Refer to 712.1 to cross-reference Genie part numbers to Parker part numbers.

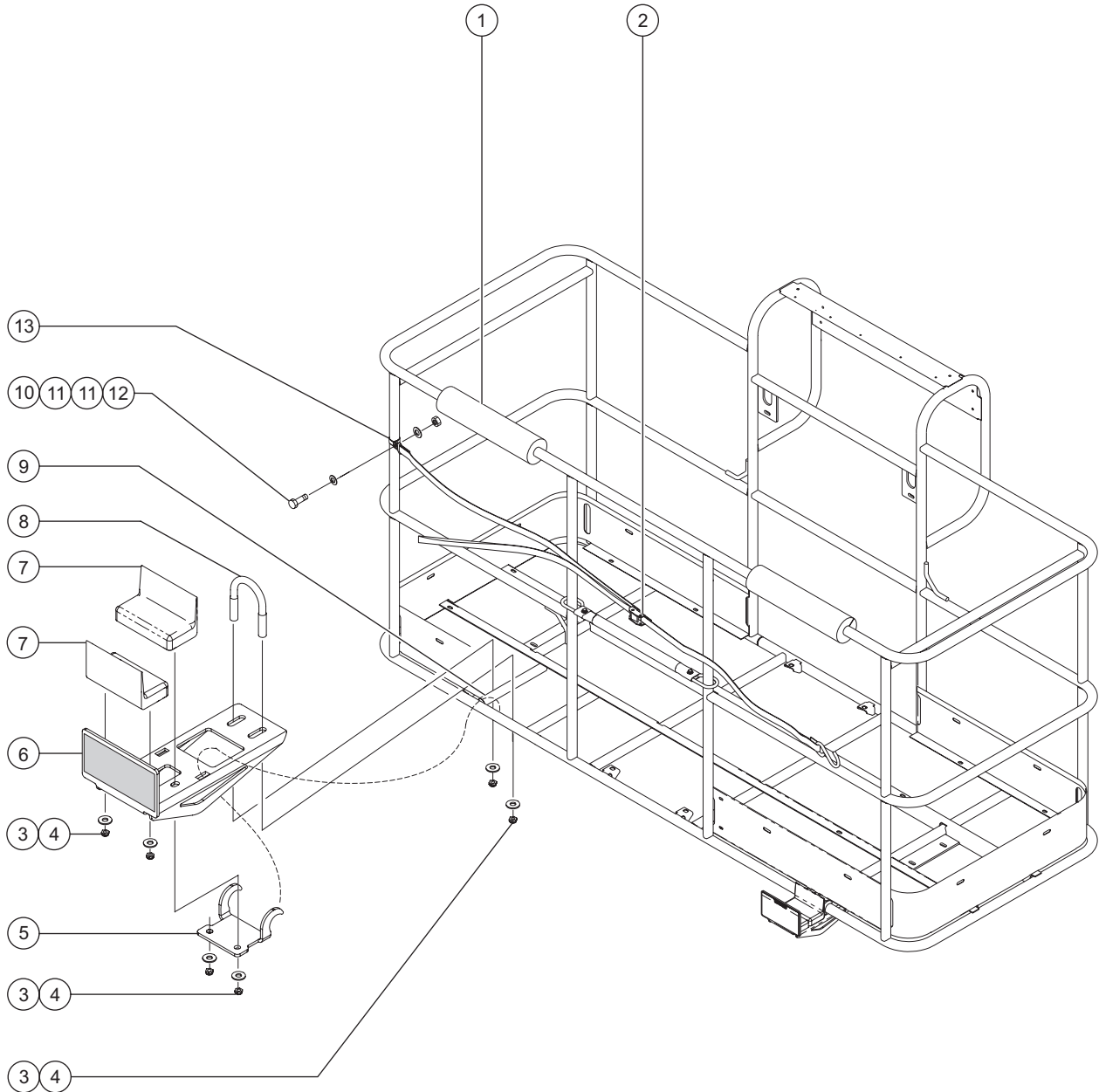
Figure	Rev	Description
810.1	C	Gauge Option



Item	Part No.	Description	Qty.	Item	Part No.	Description	Qty.
—	89404-S	Full Gauge Option - Ford (before serial number 7597)		7	65456	Water Temperature Sending Unit (Ford models)	1
—	102326-S	Full Gauge Option - Ford (after serial number 7596)		—	33972	Sensor	
—	89405-S	Full Gauge Option - Deutz (before serial number 7544)		—	28607	Adapter	
—	102324-S	Full Gauge Option - Deutz (after serial number 7543)					
—	89406-S	Full Gauge Option - Perkins (before serial number 7472)					
—	102275-S	Full Gauge Option - Perkins (after serial number 7471)					
1	37033	Oil Pressure Sending Unit (Ford models) (before serial number 7597) (Deutz models) (before serial number 7544)	1				
—	30810	Oil Pressure Sending Unit (Ford models) (after serial number 7596) (Deutz models) (after serial number 7543)					
2	75344	Oil Pressure Sending Unit (Perkins models) (before serial number 7472)	1				
—	102348	Oil Pressure Sending Unit (Perkins models) (after serial number 7471)					
—	53950	Adapter					
3	53761	Voltage Gauge (includes mounting bracket and fasteners)	1				
4	53758	Oil Pressure Gauge (without sender) (includes mounting bracket and fasteners)	1				
5	53759	Water Temperature Gauge (includes mounting bracket and fasteners) (Ford models)	1				
—	53760	Oil Temperature Gauge (includes mounting bracket and fasteners) (Deutz models)					
6	34058	Water Temperature Sending Unit (Perkins models)	1				
—	28607	Adapter					

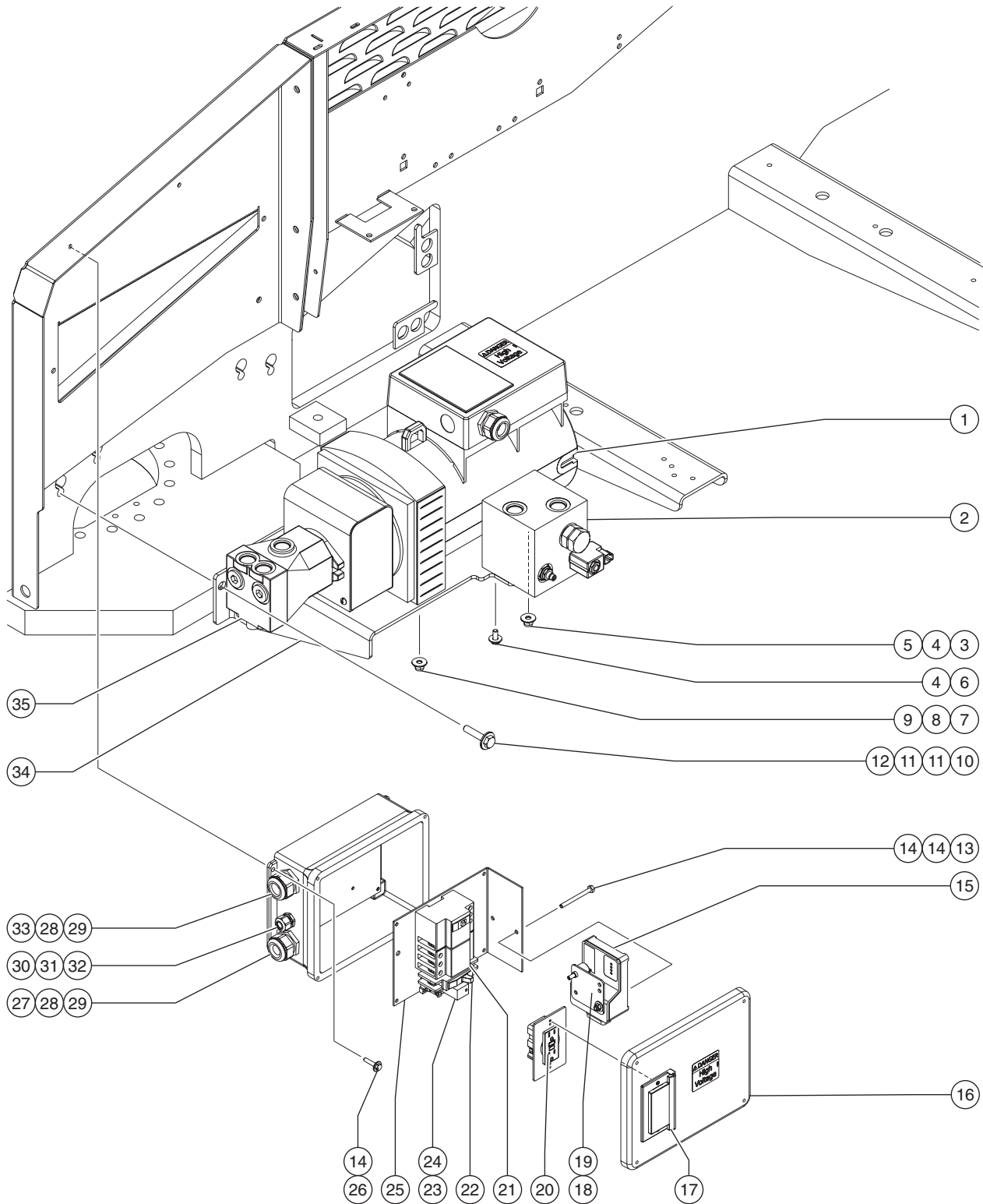


Figure	Rev	Description
811.1	D	Panel Cradle



Item	Part No.	Description	Qty.
—	77683-S	Panel Cradle	
1	88377-1400	Foam Padding, 3.5 x 1.25 x 14 inches	2
2	77664	Strap Assembly	1
3	7713	Low Profile Nylock Nut, 3/8 -16	
4	5397	Flat Washer, 5/16 inch	
5	77576P	Hook Secondary Support Bracket	2
6	89724	Cradle Base Assembly with Decal	1
7	56934	Rubber Bumper	4
8	6550	U-bolt, 3/8 -16 x 1.5 x 2.5 x 1.25 inches ...	2
9	73463-1175	Aluminum Tube, 1.25 x 0.083 x 11.75 inches	2
10	8914	Screw - HHC, 1/4 -20 x 0.63 inch, GR 5	
11	6638	Flat Washer, 1/4 inch	
12	6889	Low Profile Nylock Nut, 1/4 -20	
13	56424	Rubber Cushioned Clamp, 1.25 x 0.5 inch	

Figure 812.1 **Rev** B **Description** Welder Option, Chassis Components - View 1

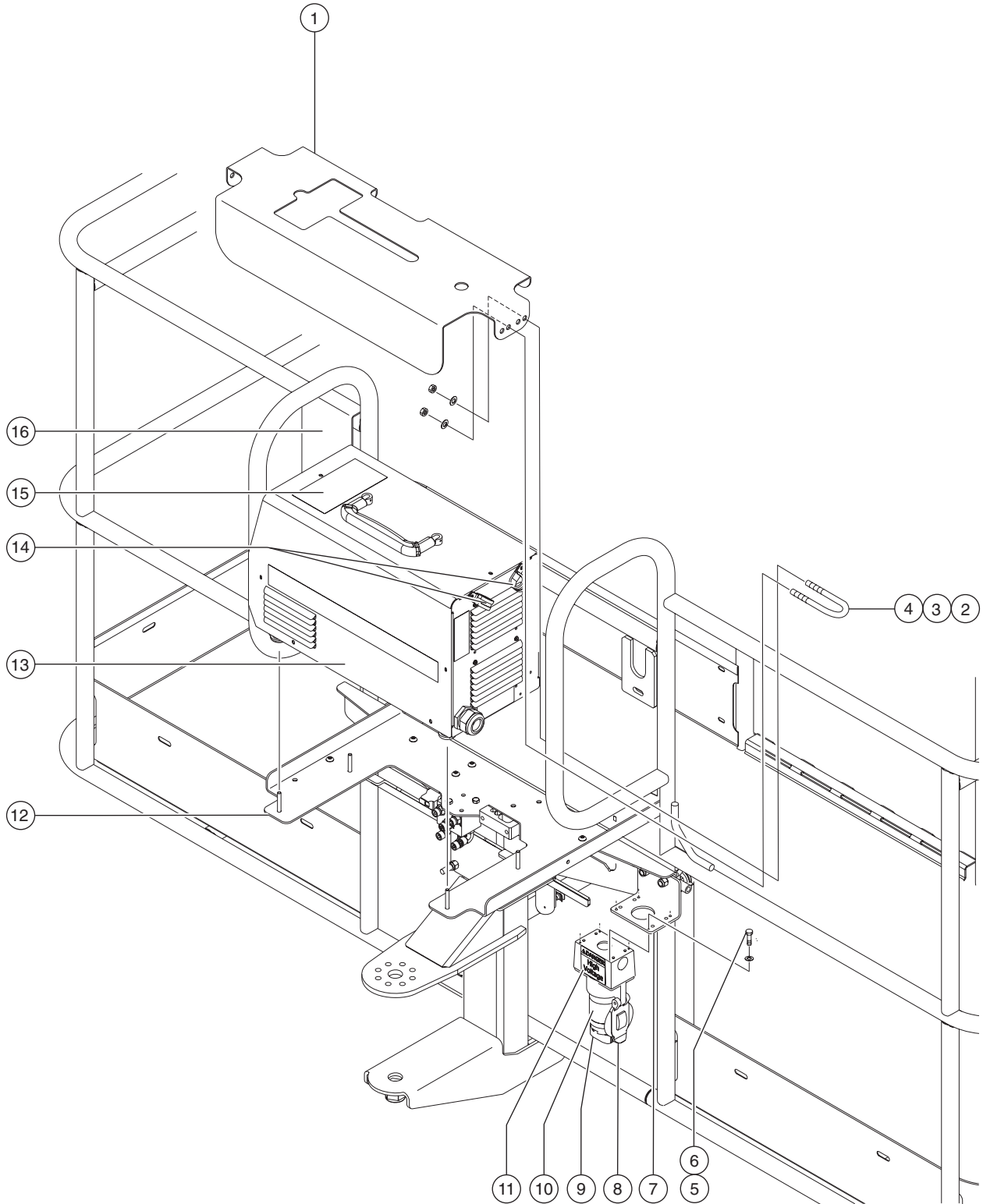


812.1
Welder Option, Chassis Components - View 1 Rev B

Item	Part No.	Description	Qty.	Item	Part No.	Description	Qty.
—	106115	Wire Cable, 8 ga. (S-40) 684 inches		18	106140	Potentiometer Bracket 1	
—	106115	Wire Cable 8 ga. (S-45) 744 inches		19	101995	Potentiometer Resistor, 1k Ohm, 2W 1	
—	89604-S	Oil Cooler Option (refer to 815.1) (before serial number 7995)		20	80543	GFCI Outlet, 110V AC 1	
—	102689	Oil Cooler Option (refer to 815.1) (after serial number 7994)		21	106477	GFI/Circuit Breaker Assembly 1	
—	106637	Time Delay Module		22	106073	Circuit Breaker, 20A, Single Phase 1	
—	82237	Decal - Danger, High Voltage		23	33607	Relay, 12V DC, DPDT 1	
—	Ref.	Harness, Lincoln Welder (refer to 311.1)		24	33608	Relay Socket 1	
1	106113	Hydraulic Generator Assembly (includes item 37) 1		25	102314	Enclosure Panel 1	
—	106274	Generator, 12.5 kW		26	6090	Screw - HHC, 1/4 -20 x 0.75 inch, GR 5	
—	110344	Brush Box Assembly, Generator		27	106077	Squeeze Connector, 0.75 inch 1	
2	Ref.	Oil Diverter Manifold (refer to 705.1)		28	18665	Electric Locknut, 1 inch NPT 2	
3	6782	Nylock Nut, 5/16 -18		29	106104	O-ring, 1 inch NPT 2	
4	5397	Flat Washer, 5/16 inch		30	7056	Squeeze Connector, 0.5 inch 1	
5	13002	Screw - HHC, 5/16 -18 x 1 inch, GR 5		31	6935	Electric Locknut, 1/2 inch NPT 1	
6	10107	Screw - HHC, 5/16 -18 x 0.75 inch, GR 5		32	56237	O-ring, #12 1	
7	4828	Nylock Nut, 3/8 -16		33	20776	Squeeze Connector, 0.75 inch 1	
8	6097	Flat Washer, 3/8 inch		34	102340	Generator Support Bracket 1	
9	8516	Screw - HHC, 3/8 -16 x 1.5 inches, GR 5		35	106184	Hydraulic Motor, 21cc 1	
10	9145	Screw - HHC, 1/2 -13 x 2.5 inches, GR 5					
11	13066	Flat Washer, 1/2 inch					
12	6198	Nylock Nut, 1/2 -13					
13	36294	Screw - HHC, 1/4 -20 x 2.75 inches, GR 5					
14	6889	Nylock Nut, 1/4 -20					
15	106658	Welder Control Module, Low Amperage 1					
16	102319	Enclosure Assembly (includes items 13-16, 18-26 and 29-35) 1					
17	74006	Weatherproof Outlet Cover (includes mounting hardware) 1					



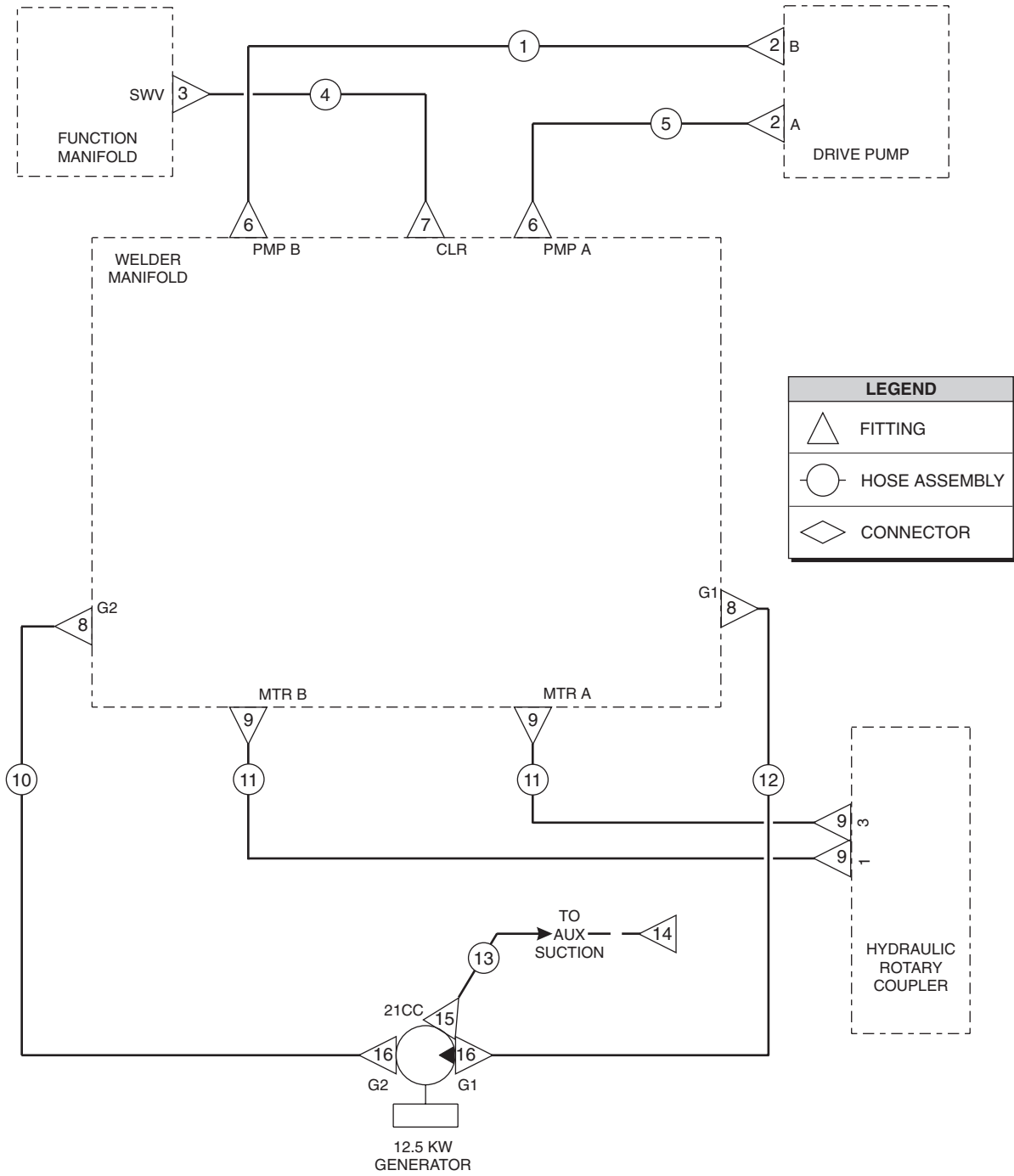
Figure 813.1 **Rev** D **Description** Welder Option, Platform Components - View 2



Item	Part No.	Description	Qty.	Item	Part No.	Description	Qty.
—	110276-2200	Protective Sleeve, Fire Resistant 1.25 x 22 inches (S-40)	1	13	101525	Welder, Invertec	1
—	110276-1600	1.25 x 16 inches (S-45)	2	—	106275	Welder Leads Assembly (includes both cables)	
—	110276-2300	1.25 x 23 inches (S-45)	1	—	106183	Fuse, 0.6A, 250V	
—	110276-3200	1.25 x 32 inches (S-45)	1	—	106141	Security Screw, 1/4 -20 x 1.75 inches (mounting fasteners)	
—	110276-4700	1.25 x 47 inches (S-45)	1				
—	110276-5000	1.25 x 50 inches (S-45)	1				
—	28443	Cable Tie, 11.5 inch		14	18666	Rubber Cushioned Clamp, 1 inch	2
—	88406	Fire Extinguisher					
—	82862	Decal - Fire Extinguisher		15	110220	Decal - Warning, Welder Safety ...	1
—	97579	Decal - Danger, Tip-over		16	106204P	Welder Leads Bracket	1
—	32728	Decal - Generator					
—	82264	Warning - Welder Safety/Instructions (before serial number 7189)					
—	82265	Label - Welder On/Off					
1	101547P	Support Bracket	1				
2	5397	Flat Washer, 3/8 inch					
3	4828	Nylock Nut, 3/8 -16					
4	6550	U-bolt, 3/8 -16, 1.5 x 2.5 x 1.25					
5	47363	Screw - RHSM, 8-32 x 0.5 inch					
6	35461	Flat Washer, #8					
7	101731P	Receptacle Bracket	1				
—	4828	Nylock Nut, 3/8 -16					
—	5397	Flat Washer, 3/8 inch					
—	6550	U-bolt, 3/8 -16 x 1.5 x 2.5 x 1.25 inches					
8	101732	Weatherproof Cover	1				
9	106112	Plug, 4 Wire, 3-Phase, 50A	1				
10	106110	T-Box, 3-Phase (includes item 11).....	1				
—	106111	Locking Receptacle, 3-Phase, 50A					
11	82237	Decal - Danger, High Voltage	2				
12	102408P	Welder Mount	1				
—	102409P	Welder Mount Support					
—	106044	U-bolt, 3/8 -16 x 4 inches					
—	4828	Nylock Nut, 3/8 -16					
—	5397	Flat Washer, 3/8 inch					
—	106043	Security Screw, 5/16 -18 x 1 inch					
—	6782	Nylock Nut, 5/16 -18					



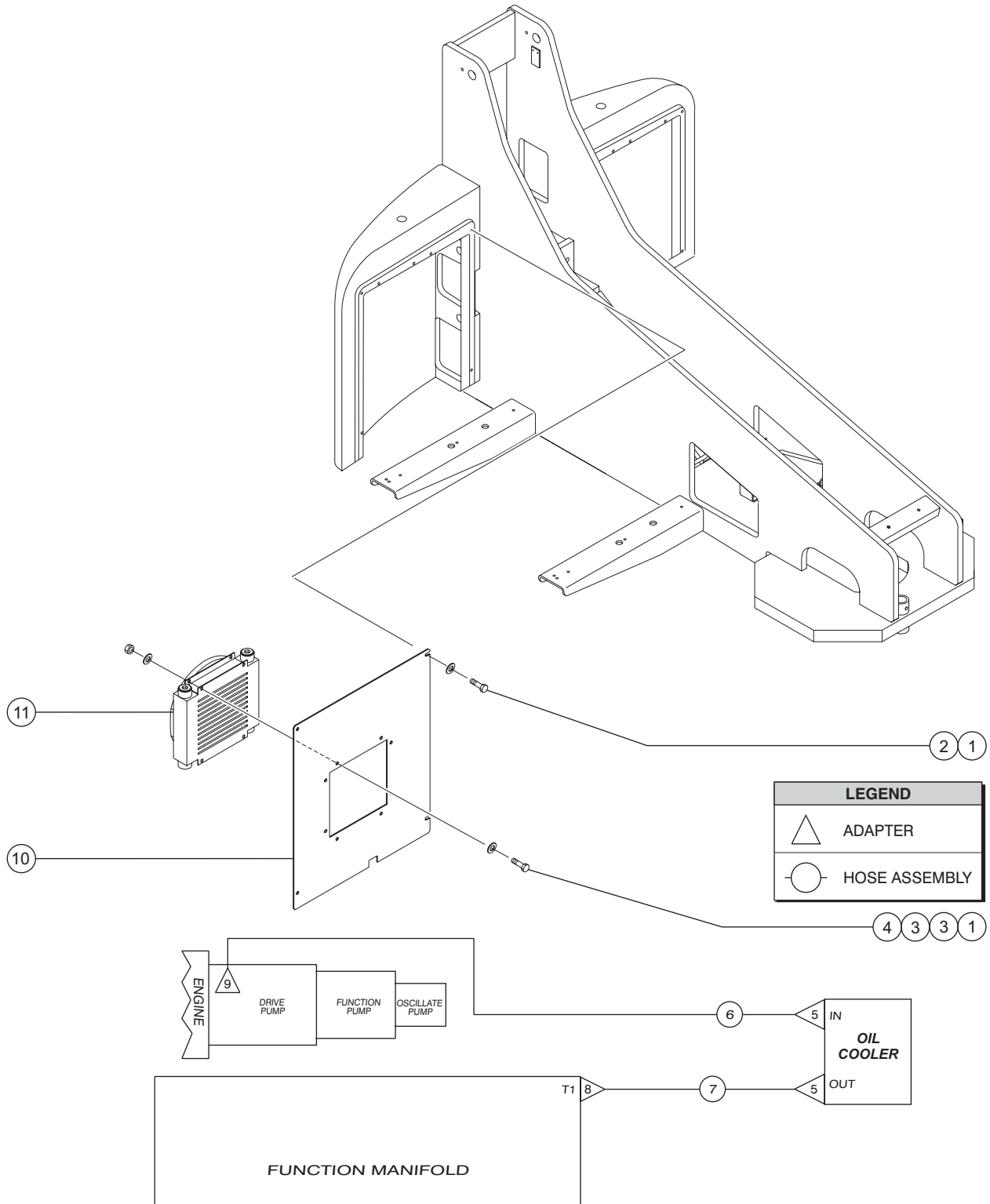
Figure 814.1 **Rev** B **Description** Hoses and Fittings - Welder



Item	Part No.	Description	Qty.
1	102313-2726	Hose Assembly - Components: Genie part numbers 48841, 48845 and 94358 @ 24 inches	1
2	48977	Fitting	2
3	67371	Fitting	1
4	61070-3750	Hose Assembly - Components: Genie part numbers 48827, 48836 and 48756 @ 35 inches	1
5	102313-2926	Hose Assembly - Components: Genie part numbers 48841, 48845 and 94358 @ 26 inches	1
6	48959	Fitting	2
7	48933	Fitting	1
8	48963	Fitting	2
9	48960	Fitting	4
10	102312-2088	Hose Assembly - Components: Genie part numbers 48841, 102311 and 94358 @ 18 inches	1
11	94374-5030	Hose Assembly - Components: Genie part numbers 48841, 48846 and 94358 @ 48 inches	2
12	102312-2388	Hose Assembly - Components: Genie part numbers 48841, 102311 and 94358 @ 21 inches	1
13	49143-7529	Hose Assembly - Components: Genie part numbers 48822, 48827 and 48756 @ 73 inches	1
14	48938	Fitting	1
15	48948	Fitting	1
16	48958	Fitting	2

The length listed in the component description is the length of the hose only. Refer to 713.1 to cross-reference Genie part numbers to Parker part numbers.

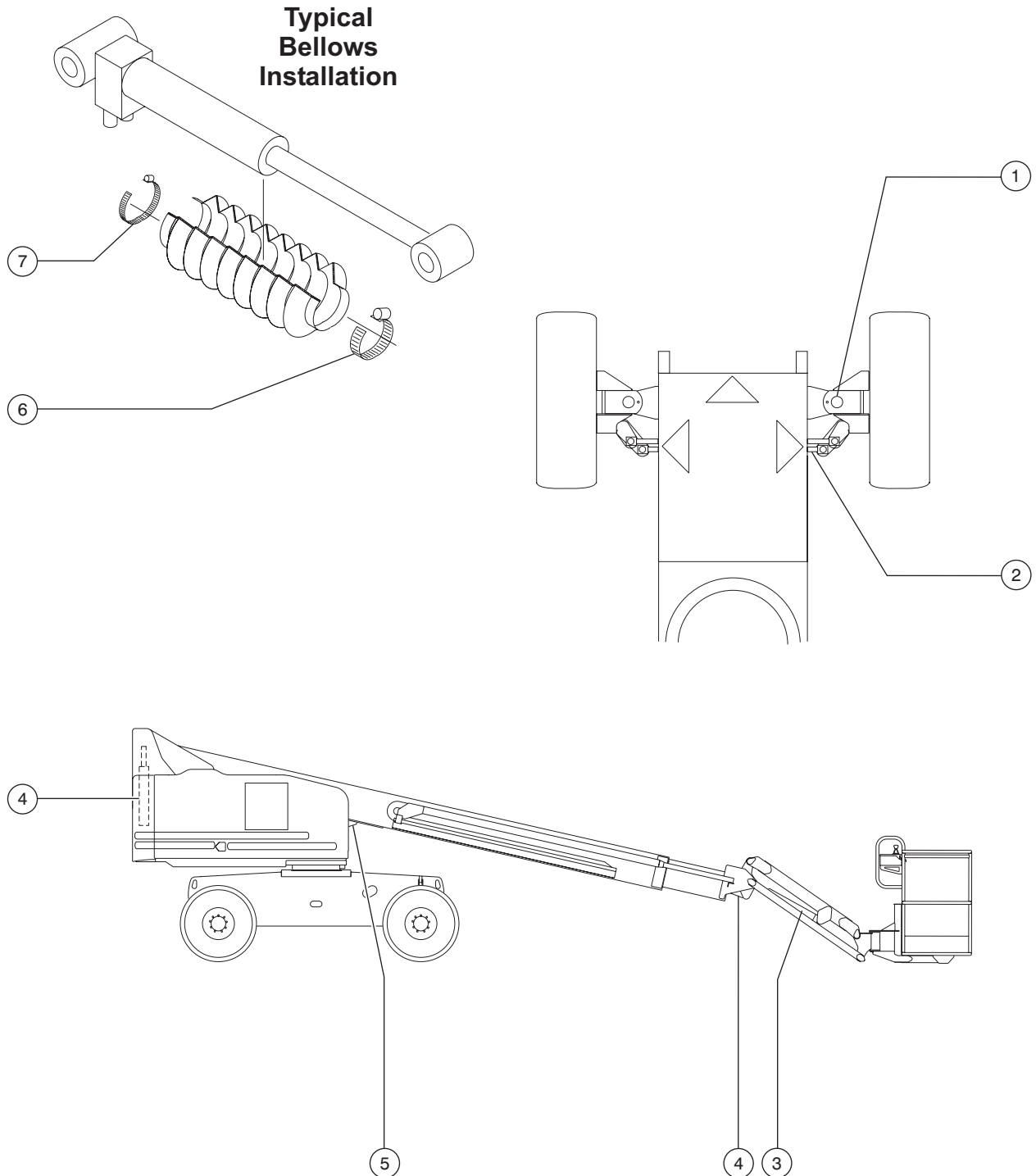
Figure 815.1 **Rev** B **Description** Hydraulic Oil Cooler Option



Item	Part No.	Description	Qty.
—	89604-S	Oil Cooler Option (before serial number 7995)	
—	111351	Oil Cooler Option (after serial number 7994)	
1	6175	Screw - HHC 3/8 -16 x 1 inch, GR 5	
2	6021	Lock Washer, 3/8 inch	
3	6097	Flat Washer, 3/8 inch	
4	4828	Nylock Nut 3/8 -16	
5	48963	Fitting (before serial number 7995)	2
—	48959	Fitting (after serial number 7994)	
6	49152-6369	Hose Assembly - Components: Genie part numbers 48841, 48842 and 48761 @ 61 inches (before serial number 7995)	1
—	49152-4869	Hose Assembly - Components: Genie part numbers 48841, 48842 and 48761 @ 46 inches (after serial number 7994)	
7	49151-7748	Hose Assembly - Components: Genie part numbers 48841, 48841 and 48761 @ 75 inches (before serial number 7995)	1
—	49151-9248	Hose Assembly - Components: Genie part numbers 48841, 48841 and 48761 @ 90 inches (after serial number 7994)	
8	48959	Fitting	1
9	48960	Fitting	1
10	89533	Mounting Plate, Oil Cooler	1
11	71259	Oil Cooler with Fan, 12V DC	1
—	75854	Fan - Hydraulic Oil Cooler	
—	75855	Thermostat	

The length listed in the component description is the length of the hose only. Refer to 713.1 to cross-reference Genie part numbers to Parker part numbers.

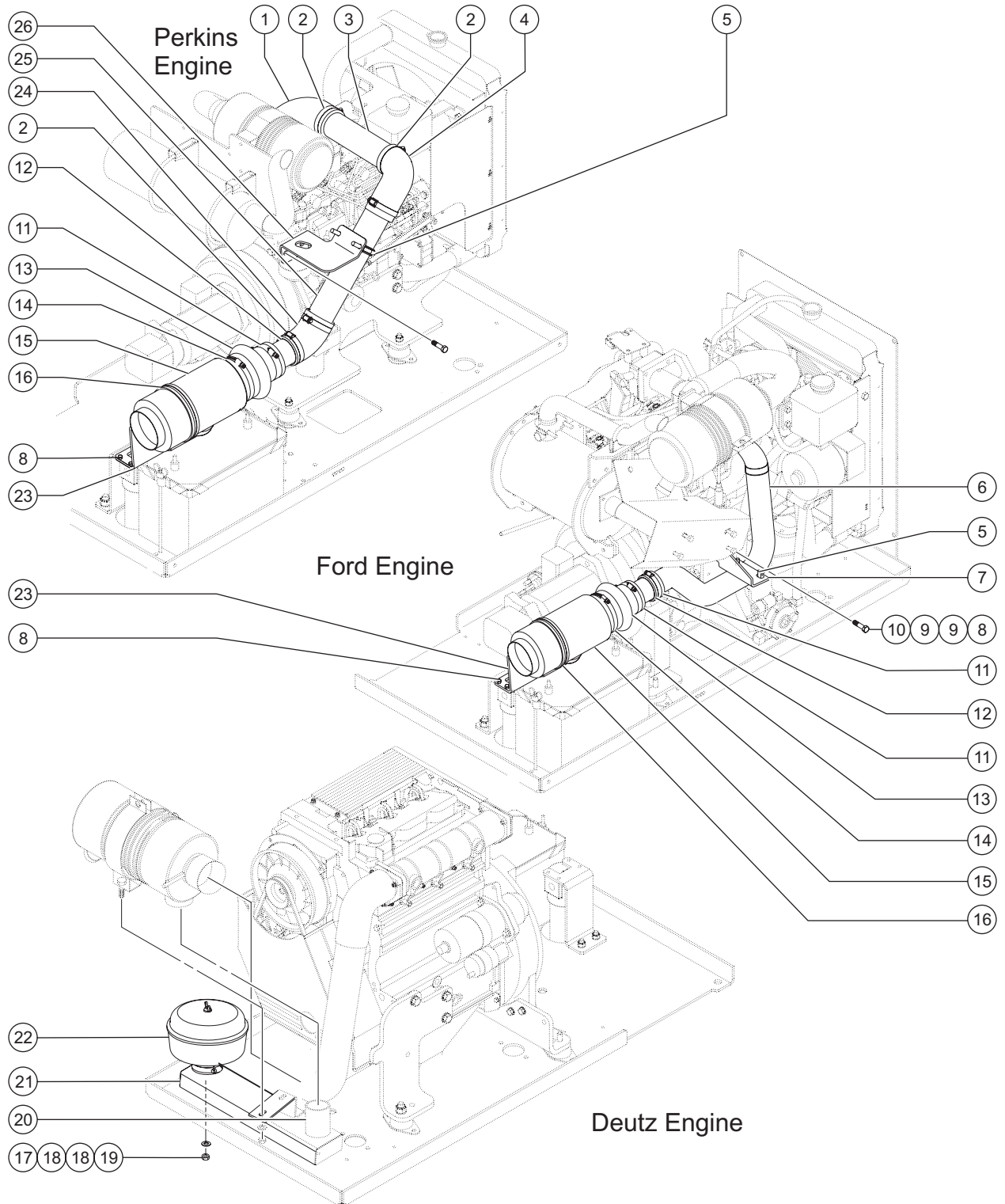
Figure 816.1 **Rev** B **Description** Hostile Environment Package - View 1



Item	Part No.	Description	Qty.
—	111347	Standard Hostile Environmental Package (S-40)	
—	111348	Deluxe Hostile Environmental Package (S-40)	
—	111349	Standard Hostile Environmental Package (S-45)	
—	111350	Deluxe Hostile Environmental Package (S-45)	
—	34956	Protective Cover, Oscillate (includes item 2)	
1	73842	Steer Cylinder Protective Bellow	2
2	30580	Oscillate Protective Bellow (includes items 7 and 8)	2
3	34505	Jib Cylinder Protective Bellow (S-45) (includes items 7 and 8)	1
4	30577	Master/Slave Cylinder Protective Bellow (S-40) (includes items 7 and 8)	1
—	34503	Master/Slave Cylinder Protective Bellow (S-45) (includes items 7 and 8)	
5	34506	Boom Lift Cylinder Protective Bellow (includes items 7 and 8)	1
6	36208	Hose Clamp, 1.25 inches	1
—	45435	Hose Clamp, 2.25 inches (used on lift cylinder)	
—	19273	Hose Clamp, 0.75 inches (used on steer cylinder)	
7	30971	Hose Clamp, 3 inches	1
—	45435	Hose Clamp, 2.5 inches (used on steer cylinder)	
—	34955	Hose Clamp, 5 inches (used on lift cylinder)	



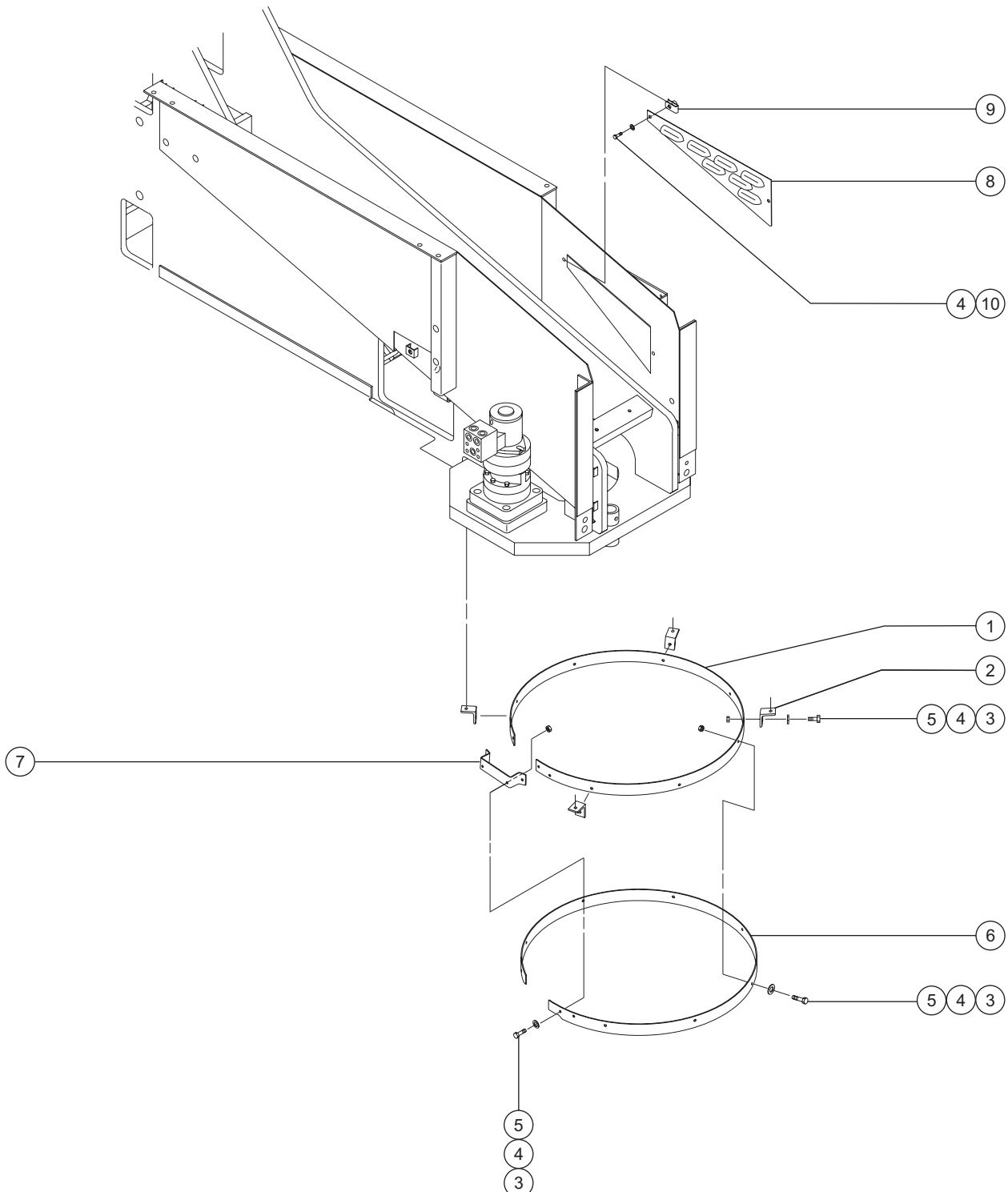
Figure 817.1 **Rev** B **Description** Hostile Environment Package - View 2



Item	Part No.	Description	Qty.	Item	Part No.	Description	Qty.
—	53949	Perkins Engine Air Precleaner (before serial number 7472)		20	34162-350	Air Intake Hose, 2.5 inches	1
—	102007	Perkins Engine Air Precleaner (after serial number 7471)		21	89985P	Air Intake Tube	1
—	102375	Ford Engine Air Precleaner (after serial number 7596)		22	34959	Air Intake Precleaner	1
—	34957	Deutz Engine Air Precleaner (before serial number 7544)		23	102374P	Air Intake Mount	1
—	89991	Deutz Engine Air Precleaner (after serial number 7543)		24	33361	Rubber Elbow, 45°	1
—	102003P	Baffle Plate (Perkins and Ford models)		25	94342-1400	Aluminized Tube, 2.5 inches	1
—	102003P	Baffle Plate (Ford models)		26	102005P	Air Intake Hose Mount	1
—	89989P	Baffle Plate (Deutz models)					
1	34163	Rubber Elbow, 90°	1				
2	45435	Hose Clamp, 2.5 inches					
3	94324-950	Aluminized Tube, 2.5 inches	1				
4	50941	Air Intake Hose, 90°	1				
5	71911	Muffler Clamp, 2.5 inches					
6	102372	Air Intake Tube	1				
7	102373P	Air Intake Tube Mount	1				
8	6888	Screw - HHC, 1/4 -20 x 1 inch, GR 5					
9	6638	Flat Washer, 1/4 inch					
10	6091	Nylock Nut, 1/4 -20					
11	30971	Hose Clamp, 3 inches					
12	101640	Rubber Reducer, 3 inches to 2.5 inches	1				
13	88492	Hose Hump, 3 inches to 4 inches	1				
14	34955	Hose Clamp, 5 inches					
15	88493	Air Intake Precleaner	1				
16	101639	Rubber Cushioned Clamp, 5.38 x 0.375 inch					
17	4828	Nylock Nut, 3/8 -16					
18	6097	Flat Washer, 3/8 inch					
19	6175	Screw - HHC, 3/8 -16 x 1 inch, GR 5					

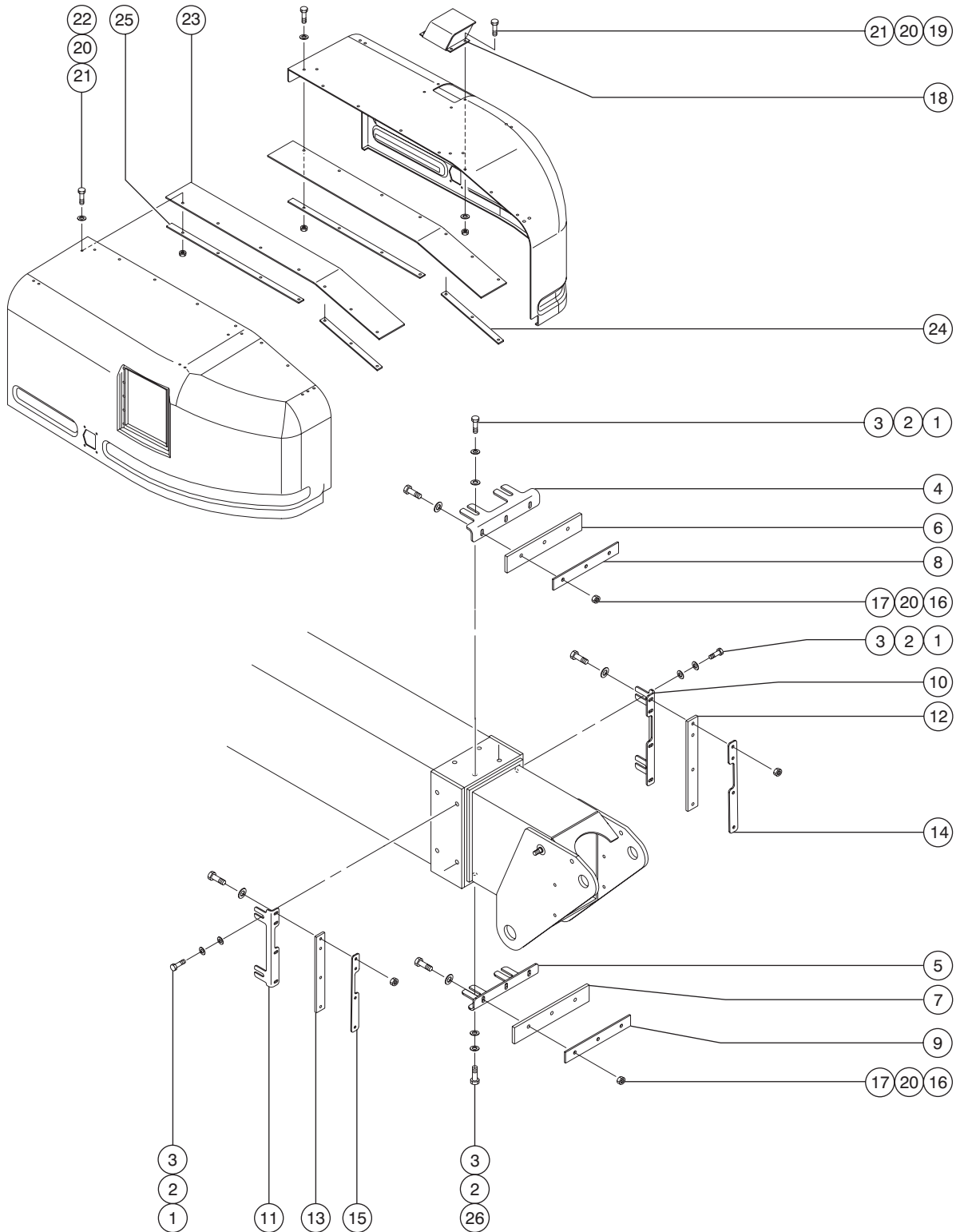


Figure 818.1 **Rev** D **Description** Hostile Environment Package - View 3



Item	Part No.	Description	Qty.
1	34949	Ring Gear Bracket	1
2	81062	Ring Guard Angle	4
3	6888	Screw - HHC, 1/4 -20 x 1 inch, GR 5	
4	6638	Flat Washer, 1/4 inch	
5	6889	Nylock Nut, 1/4 -20	
6	34952	Ring Gear Wiper	1
7	34855	Ring Guard Bracket	1
8	89647	Louver Panel, Engine Side, Rear	1
—	89646P	Louver Panel, Engine Side, Front, (Ford models)	
—	89992P	Louver Panel, Engine Side, Front, (Deutz models)	
—	102747P	Louver Panel, Engine Side, Front, (Perkins models)	
—	102784P	Louver Panel, Engine Side, Rear, (Perkins models)	
—	89645	Louver Panel, Tank Side, Rear	
—	89644	Louver Panel, Tank Side, Front	
9	56912	Spring Clip Nut, 1/4 -20	
10	6090	Screw - HHC, 1/4 -20 x 0.75 inch, GR 5	

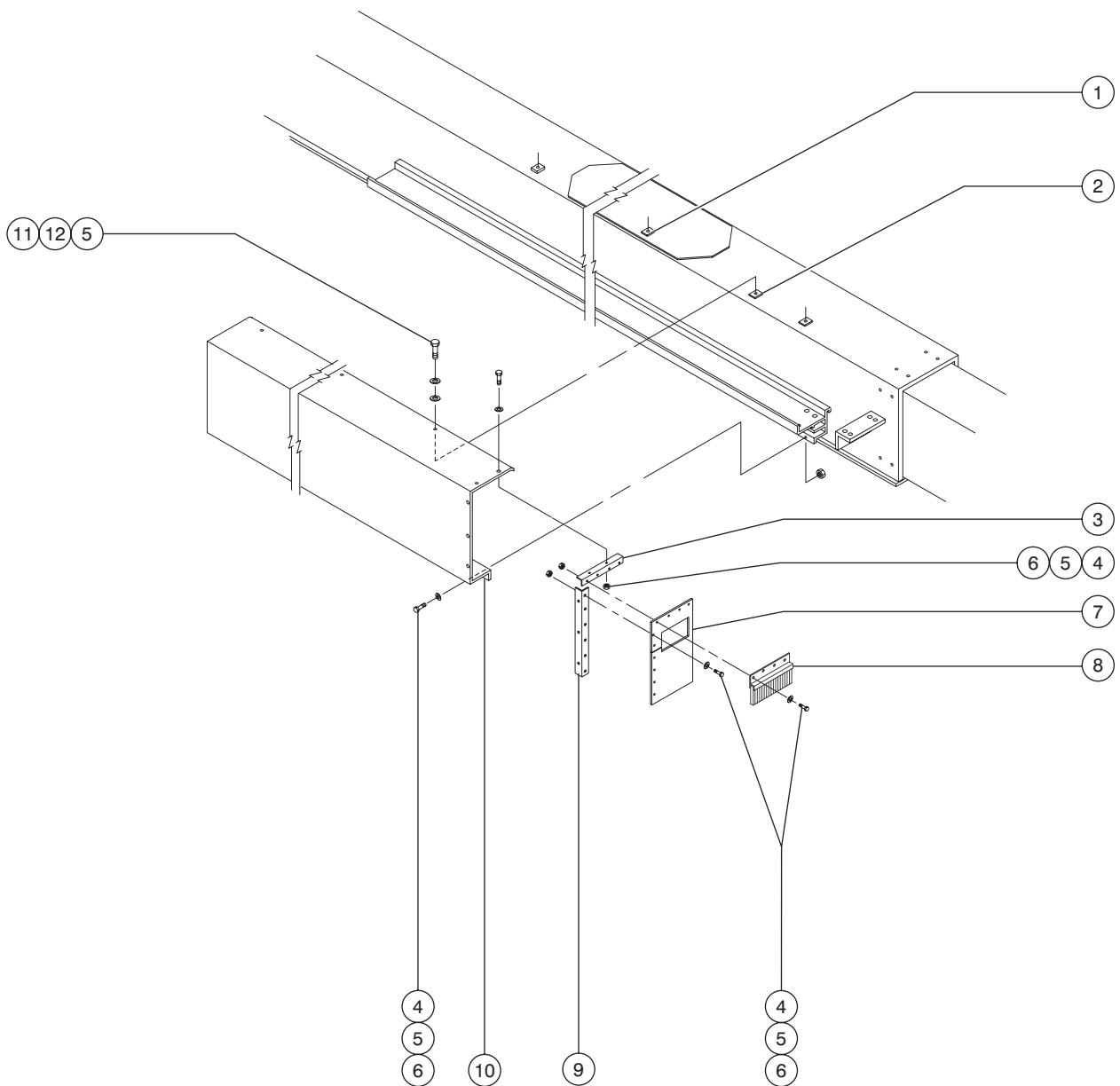
Figure 819.1 **Rev** B **Description** Hostile Environment Package - View 4



Item	Part No.	Description	Qty.	Item	Part No.	Description	Qty.
1	6019	Screw - HHC, 3/8 -16 x 1.25 inches, GR 5		18	73060P	Exhaust Cover, Top.....	1
				—	73058P	Exhaust Cover, Front Side	
				—	73059P	Exhaust Cover, Rear Side	
2	6021	Lock Washer, 3/8 inch		19	6090	Screw - HHC, 1/4 -20 x 0.75 inch, GR 5	
3	5397	Flat Washer, 5/16 inch		20	6638	Flat Washer, 1/4 inch	
4	63145P	Wiper Bracket, Top (S-40)	1	21	6091	Nylock Nut, 1/2 -20	
—	63135P	Wiper Bracket, Top (S-45)		22	6888	Screw - HHC, 1/4 -20 x 1 inch, GR 5	
5	63145P	Wiper Bracket, Bottom (S-40)	1	23	34381	Flap - Swing Chassis Cover, Rubber	2
—	63177P	Wiper Bracket, Bottom (S-45)		24	34389P	Flap Reinforcing Bar, 23 Inches	2
6	63146	Wiper, Top (S-40)	1	25	34388P	Flap Reinforcing Bar, 37.5 Inches	2
—	63174	Wiper, Top (S-45)					
7	63146	Wiper, Bottom (S-40)	1				
—	63136	Wiper, Bottom (S-45)					
8	63163P	Backing Plate, Top (S-40)	1				
—	63168P	Backing Plate, Top (S-45)					
9	63163P	Backing Plate, Bottom (S-40)	1				
—	63175P	Backing Plate, Bottom (S-45)					
10	81905P	Wiper Bracket, Engine Side (S-40)	1				
—	63137P	Wiper Bracket, Engine Side (S-45)					
11	81904P	Wiper Bracket, Tank Side (S-40)	1				
—	63176P	Wiper Bracket, Tank Side (S-45)					
12	63142	Wiper, Engine Side (S-40)	1				
—	63138	Wiper, Engine Side (S-45)					
13	63142	Wiper, Tank Side (S-40)	1				
—	63138	Wiper, Tank Side (S-45)					
14	63164P	Backing Plate, Engine Side (S-40)	1				
—	63167P	Backing Plate, Engine Side (S-45)					
15	63164P	Backing Plate, Tank Side (S-40)	1				
—	63167P	Backing Plate, Tank Side (S-45)					
16	6889	Nylock Nut, 1/4 -20					
17	6878	Carriage Bolt, 1/4 -20 x 0.75 inch					



Figure 820.1 **Rev** B **Description** Hostile Environment Package - View 5



Item	Part No.	Description	Qty.
1	49626	Cable Track Bolt Pad	2
2	49625	Cable Track Bolt Pad	3
3	53460	Cable Track Gasket Bracket	1
4	6889	Nylock Nut, 1/4 -20	
5	6638	Flat Washer, 1/4 inch	
6	6090	Screw - HHC, 1/4 -20 x 0.75 inch, GR 5	
7	53459	Cable Track Gasket (S-40)	1
—	53626	Cable Track Gasket (S-45)	
8	53458	Cable Track Cover Brush (S-40)	1
—	53629	Cable Track Cover Brush (S-45)	
9	53143	Cable Track Gasket Bracket	1
10	53457	Cable Track Cover (S-40)	1
—	53623	Cable Track Cover (S-45)	
11	8914	Screw - HHC, 1/4 -20 x 0.625 inch, GR 5	
12	6356	Lock Washer, 1/4 inch	



California Proposition 65

WARNING

The exhaust from this product contains chemicals known to the State of California to cause cancer, birth defects or other reproductive harm.

Genie Scandinavia

Phone +46 31 575100
Fax +46 31 579020

Genie France

Phone +33 (0)2 37 26 09 99
Fax +33 (0)2 37 26 09 98

Genie Iberica

Phone +34 93 579 5042
Fax +34 93 579 5059

Genie Germany

Phone +49 (0)4202 88520
Fax +49 (0)4202 8852-20

Genie U.K.

Phone +44 (0)1476 584333
Fax +44 (0)1476 584334

Genie Mexico City

Phone +52 55 5666 5242
Fax +52 55 5666 3241

Genie North America

Phone 425.881.1800
Toll Free USA and Canada
800.536.1800
Fax 425.883.3475

Genie Australia Pty Ltd.

Phone +61 7 3375 1660
Fax +61 7 3375 1002

Genie China

Phone +86 21 53852570
Fax +86 21 53852569

Genie Malaysia

Phone +65 98 480 775
Fax +65 67 533 544

Genie Japan

Phone +81 3 3453 6082
Fax +81 3 3453 6083

Genie Korea

Phone +82 25 587 267
Fax +82 25 583 910

Genie Brasil

Phone +55 11 41 665 755
Fax +55 11 41 665 754

Genie Holland

Phone +31 183 581 102
Fax +31 183 581 566

Distributed By:

Parts Manual S-40 & S-45

(from serial number 7001)

Part No.
89721

Rev D

Genie
A TEREX COMPANY